



# PRODUCT DATASHEET

## Leila series

last update 11/6/2012

### DETAILS

<b>Product Number</b>	FA11134_LC1-W
<b>Family</b>	Leila
<b>Type</b>	Assembly
<b>Color</b>	black
<b>Diameter</b>	21,6 mm
<b>Height</b>	14,6 mm
<b>Style</b>	round
<b>Optic Material</b>	PC,PMMA
<b>Holder Material</b>	
<b>Fastening</b>	tape
<b>Status</b>	production ready
<b>ROHS Compliant</b>	Yes
<b>Date Updated</b>	11/06/2012



### OPTICAL PROPERTIES

LED	Viewing Angle	Light Beam	Efficiency	cd/lm	Connector
XR-E	54 deg	Wide	-	-	-

D

C

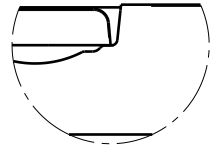
B

A

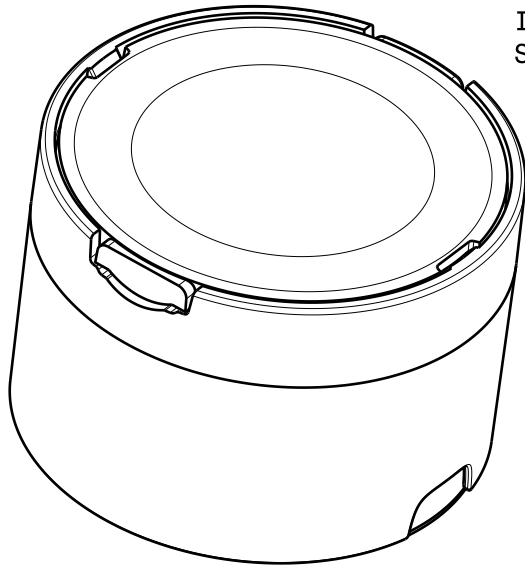
Isometric view  
Scale: 3:1



Detail A  
Clip

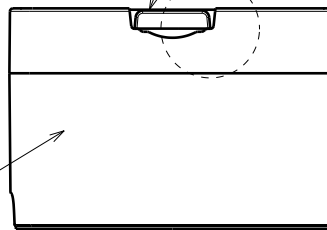


Detail B  
Support



Lens LC1-W-LOW

B



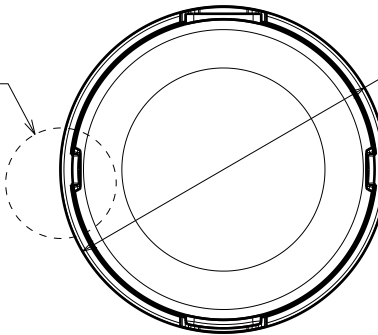
14.6

Front view

Holder LC-LH1-tape-low

Tape 0,2mm

A



21.6

Top view

**MATERIALS**

Lens: PMMA

Holder: PC

Tape: PU Foam

This drawing is our property.  
It can't be reproduced  
or communicated without  
our written agreement.



Ledil Oy  
Tehdaskatu 13  
FIN-24100 SALO  
Finland

**DRAWING TITLE**

Datasheet Assy Leila LC1-W-Low

**DRAWN BY**

pv

**DATE**

23.09.2009

**CHECKED BY**

tk

**DATE**

22.09.2009

**SIZE**

A4

**DRAWING NUMBER**

FA11134

**REV**

1

**DESIGNED BY**

HH

**DATE**

29.01.2009

**SCALE**

2:1

**WEIGHT (g)**

-

**SHEET**

1 / 1

D

A

4

4

3

3

2

2

1

1

**NOTE: The typical divergence will be changed by different color, chip size and chip position tolerance. The typical total divergence is the full angle measured where the luminous intensity is half of the peak value.**