

List of Recommended Alternative Products for LDL-TP Series

March 2012

Discontinued Products: LDL-TP Series					Recommended Alternative Products: TH Series						
Direct Number	Model Name	Light Color	Power Consumption	Dimension	Direct Number	Model Name	Light Color	Power Consumption	Dimension		
1000867	LDL-TP-27X27	Red	12 V/1.1 W	1	1004715	TH-27X27RD	Red	24 V/1.9 W	A		
1000871	LDL-TP-27X27-SW *	White	24 V/1.7 W	2	1004716	TH-27X27SW	White	24 V/2.2 W			
1002734	LDL-TP-27X27SW2	White			1004717	TH-27X27BL	Blue				
1000869	LDL-TP-27X27-BL	Blue			Green light is available by special order. Please contact a CCS sales representative.						
1000870	LDL-TP-27X27-GR	Green	12 V/2.9 W	3	1004718	TH-43X35RD	Red	24 V/3.8 W	B		
1000897	LDL-TP-43X35	Red			24 V/2.7 W	4	1004719	TH-43X35SW		White	24 V/3.0 W
1000901	LDL-TP-43X35-SW *	White					1004720	TH-43X35BL		Blue	
1002735	LDL-TP-43X35SW2	White	Green light is available by special order. Please contact a CCS sales representative.								
1000899	LDL-TP-43X35-BL	Blue	12 V/4.4 W	5	1004721	TH-51X51RD	Red	24 V/5.1 W	C		
1000900	LDL-TP-43X35-GR	Green			24 V/5.4 W	6	1004722	TH-51X51SW		White	24 V/5.2 W
1000905	LDL-TP-51X51	Red					1004723	TH-51X51BL		Blue	
1000908	LDL-TP-51X51-SW *	White	Green light is available by special order. Please contact a CCS sales representative.								
1002736	LDL-TP-51X51SW2	White	12 V/7.6 W	7	1004307	TH-63X60RD	Red	24 V/ 8.1W	D		
1000906	LDL-TP-51X51-BL	Blue			24 V/6.7 W	8	1004308	TH-63X60SW		White	24 V/7.9 W
1000907	LDL-TP-51X51-GR	Green					1004309	TH-63X60BL		Blue	
1000922	LDL-TP-63X60	Red	Green light is available by special order. Please contact a CCS sales representative.								
1000926	LDL-TP-63X60-SW *	White	12 V/9.4 W	9	1004310	TH-83X75RD	Red	24 V/11 W	E		
1002760	LDL-TP-63X60SW2	White			24 V/11 W	10	1004311	TH-83X75SW		White	24 V/12 W
1000923	LDL-TP-63X60-BL	Blue					1004312	TH-83X75BL		Blue	
1000924	LDL-TP-63X60-GR	Green	Green light is available by special order. Please contact a CCS sales representative.								
1000939	LDL-TP-83X75	Red	12 V/18 W	11	1004313	TH-100X100RD	Red	24 V/19 W	F		
1000942	LDL-TP-83X75-SW *	White			24 V/16 W	12	1004314	TH-100X100SW		White	24 V/18 W
1002761	LDL-TP-83X75SW2	White					1004315	TH-100X100BL		Blue	
1000940	LDL-TP-83X75-BL	Blue	Green light is available by special order. Please contact a CCS sales representative.								
1000941	LDL-TP-83X75-GR	Green	24 V/36 W	13	1004328	TH-211X200RD	Red	24 V/45 W	G		
1000804	LDL-TP-100X100	Red			Please contact a CCS sales representative.						
1000809	LDL-TP-100X100-SW *	White									
1002737	LDL-TP-100X100SW2	White									
1000805	LDL-TP-100X100-BL	Blue									
1000807	LDL-TP-100X100-GR	Green									
1000854	LDL-TP-211X200	Red									
1000889	LDL-TP-380X250	Red									
Information					Specification Changes						
* Sale of the LDL-TP Series was discontinued.					* Higher output compared to previous products was achieved.						
* Please specify the recommended replacement product from the TH Series when ordering.					* The standard lineup of LED colors is red, white, and blue. Green light is available by special order.						
* Sale of the SW-type White Light Units was discontinued.					* The input voltage is now 24 V for all colors.						
Note					* The Diffusion Plate was changed to a matte surface treatment.						
* Manufacturing of the optional Light Control Film (LC) will also be discontinued.					* Installing the Light Unit is more flexible.						
(The following products cannot be used with the TH Series.)					The Light Unit can be installed by using the frame structure on the side or holes tapped in the bottom.						
LC-LDL-TP-27X27 (LDL-TP-27X27, same for all colors)					* The peak wavelength of the red light is 635 nm (previously 660 nm).						
LC-LDL-TP-43X35 (LDL-TP-43X35, same for all colors)					For a Sharp-cut Filter, use the optional R60 Sharp-cut Filter.						
LC-LDL-TP-51X51 (LDL-TP-51X51, same for all colors)					* The relative color temperature of the white light is 6,600 K (previously 5,500 K).						
LC-LDL-TP-63X60 (LDL-TP-63X60, same for all colors)					* Parameters, such as the power consumption, dimensions, and weight, have changed.						
LC-LDL-TP-83X75 (LDL-TP-83X75, same for all colors)					Optional Accessories						
LC-LDL-TP-100X100 (LDL-TP-100X100, same for all colors)					* Light Control (LC) Film						
					LC-HO: The direction of louvers is parallel to the length of the LC film.						
					LC-VE: The direction of louvers is perpendicular to the length of the LC film.						
					* Brackets (BK)						
					BK-TH-LE12 (Contains 4 Brackets.)						
					Other						
					* Four sizes other than those given above are also available.						
					* Refer to catalogs, pamphlets, or our website for details.						
					* Confirm equipment functionality and conditions when selecting a product for your application.						

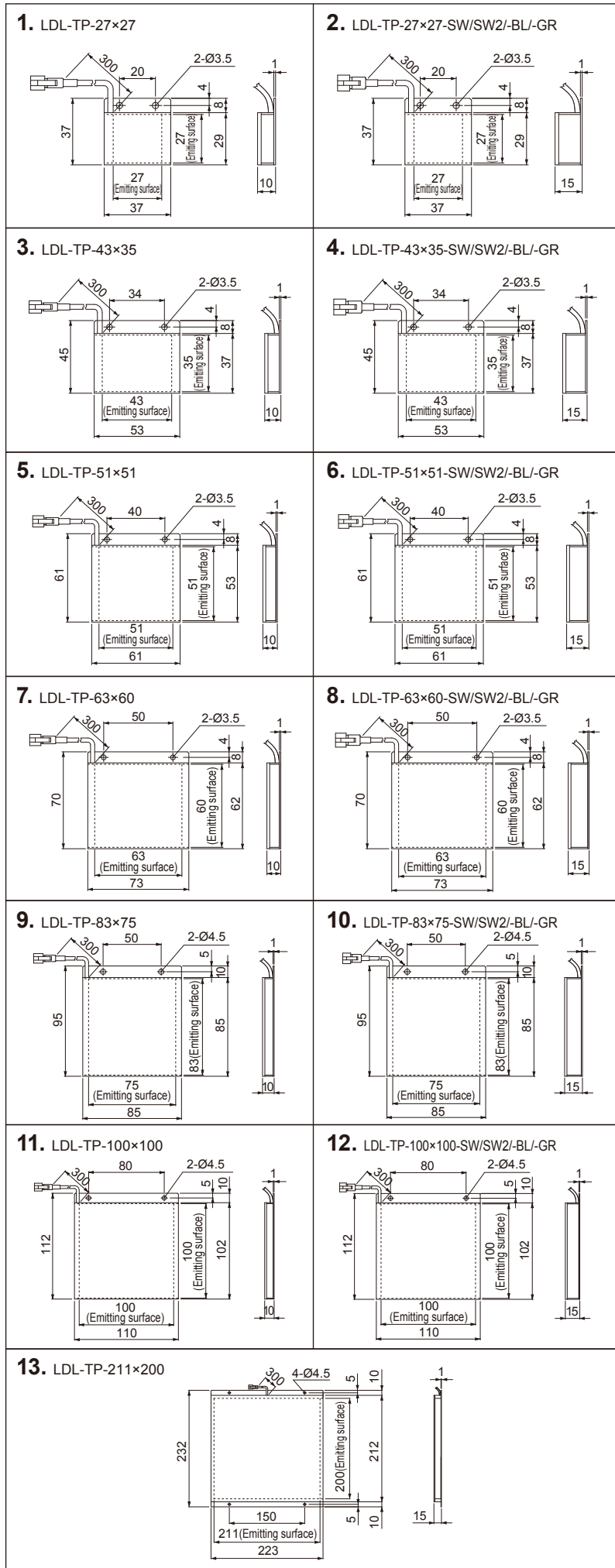
Various documents can be downloaded, including PDF drawings, DXF drawings, and manuals, from the website (Machine Vision Applications). We also offer Light Unit selection and leasing services.

You can easily access information for the desired product by visiting the website and entering the seven-digit number into the direct number input space.

CCS website >>>>> URL:<http://www.ccs-grp.com/>

Diagrams Discontinued Products: LDL-TP Series

(Unit: mm)



Diagrams of Recommended Alternative Products:TH Series

(Unit: mm)

