



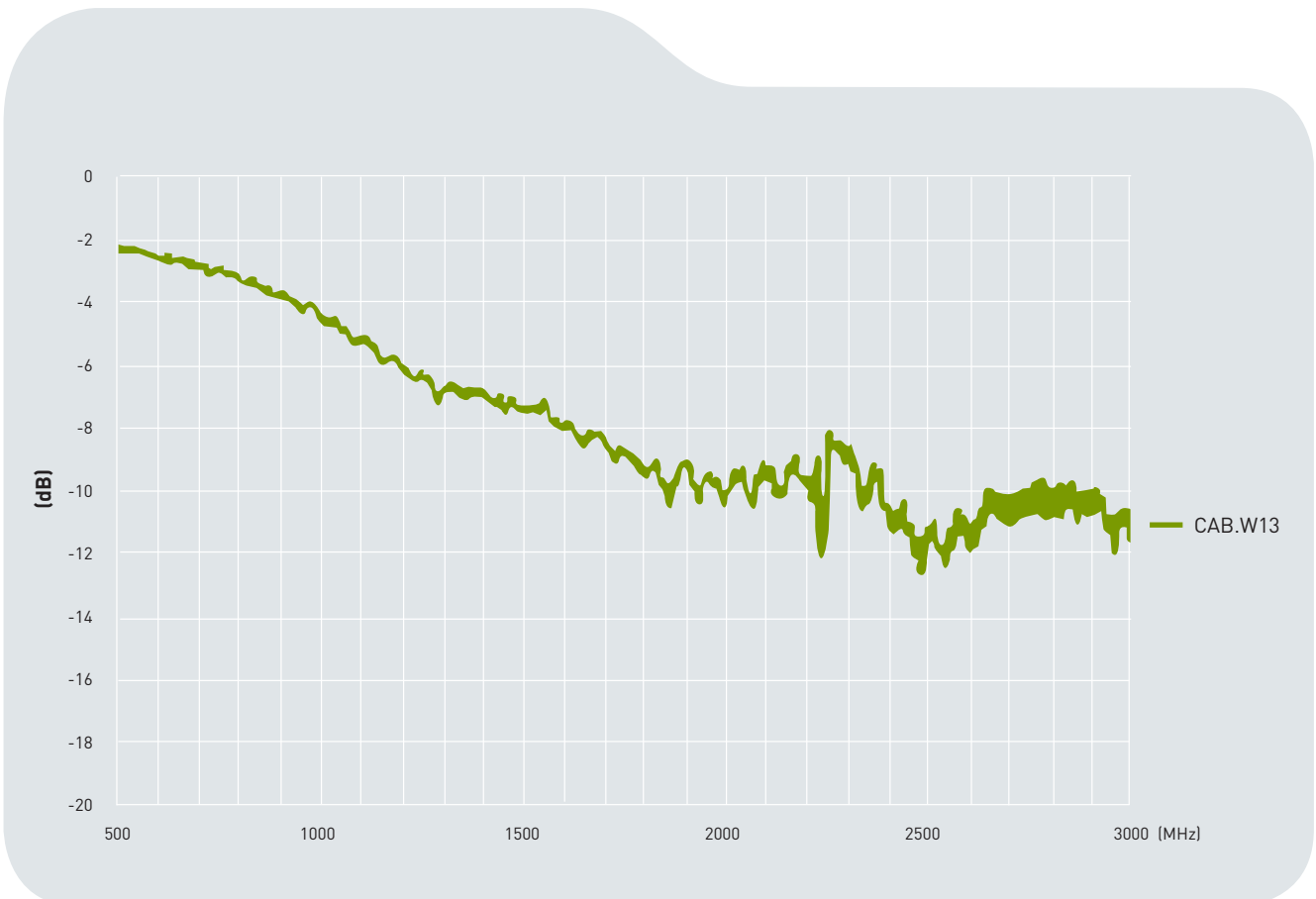
Close-up of CAB.W13

CAB.W13

Specification

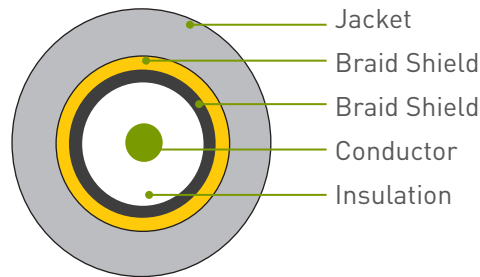
| | |
|---------------------|---|
| Part No. | CAB.W13 |
| Product Name | CAB.W13 Taoglas Cable Assembly NMO Magnet Mount - 3/4 inch Style Brass Mount type to FME(F) Straight Jack with 17ft (5182mm) RG-58 cable |

1. Cable Insertion Loss

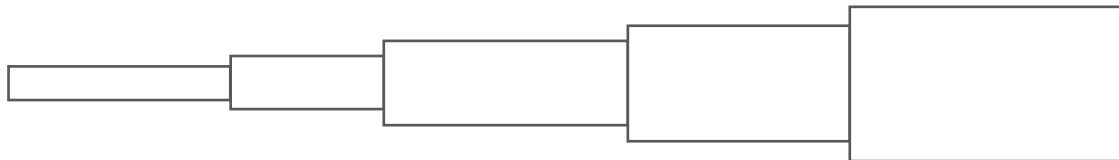


2. RG-58 Cable Specification

2.1 Drawing - Cross Section



2.2 Structure and Dimensions



| Conductor | Insulation | Braid Shield | Braid Shield | Jacket |
|--|--|---|--|---|
| <ul style="list-style-type: none"> • Material - Bare Copper Wire • Composition (1/1.02mm) • Diameter - 1.02mm | <ul style="list-style-type: none"> • Material - Foam Polyethylene • Avg. Thickness - 0.95mm • Diameter - 2.9 ± 0.1mm | <ul style="list-style-type: none"> • Material - Aluminium Foil • Construction - 0.020mm | <ul style="list-style-type: none"> • Material - Tinned - Copper Wire • Structure - 16/6/0.12mm • Coverage - 87% • Diameter - 3.4 ± 0.05mm | <ul style="list-style-type: none"> • Material - RoHS PVC • Diameter - 5.0 ± 0.15mm • Colour - Black |

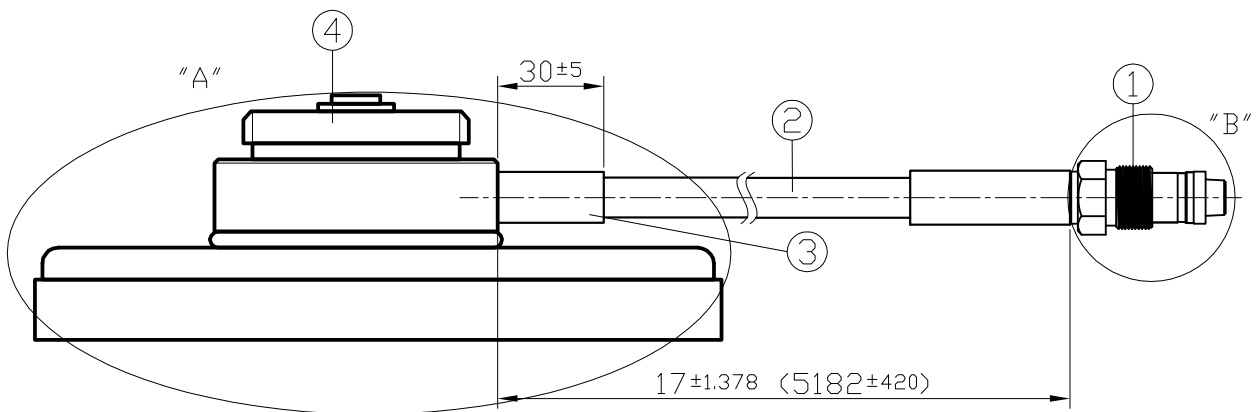
2.3 Electrical & Physical Specification

Specification

| | | | | | |
|----------------------------------|------------------|--------|--------|--------|---------|
| Insulation Resistance: | 1000 MΩ-Km (Min) | | | | |
| Capacitance | 83 ± 3 pF/m | | | | |
| Nom. Impedance | 53 ± 3 Ω | | | | |
| Attenuation (dB/100ft) | 200MHz | 400MHz | 700MHz | 900MHz | 1000MHz |
| | 4.66 | 6.32 | 8.45 | 9.67 | 10.2 |

3. Technical Drawing

3.1 CAB.W13



| | Name | Material | Finish | QTY |
|---|--------------------|----------|-----------|-----|
| 1 | FME(F) ST | Brass | Ni Plated | 1 |
| 2 | RG58 Coaxial Cable | PVC | Black | 1 |
| 3 | Heat Shrink Tube | PE | Black | 1 |
| 4 | NMO(MM) | Brass | Ni Plated | 1 |

3.2 Connectors

