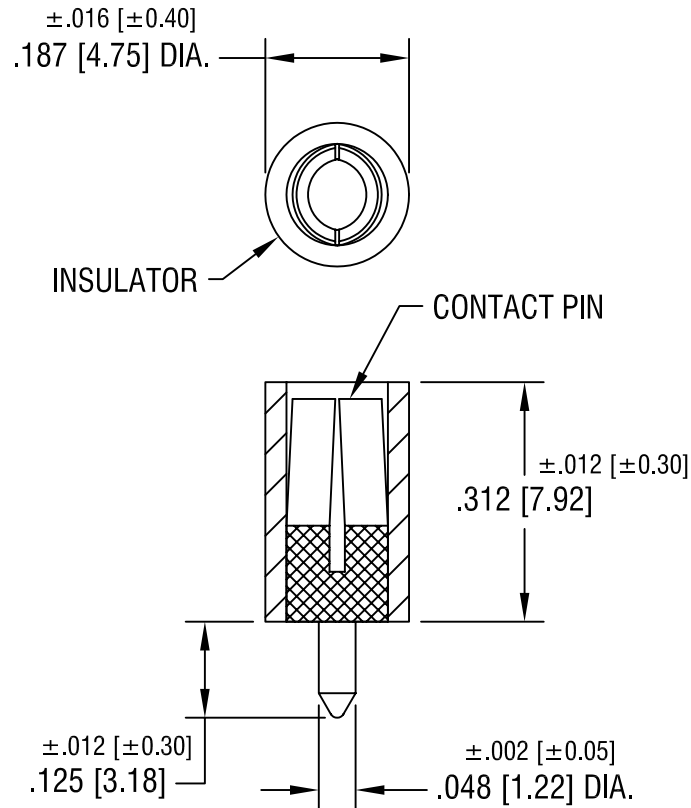


THIS DOCUMENT IS THE PROPERTY OF  
KEYSTONE ELECTRONICS CORP. AND  
SHALL NOT BE REPRODUCED, DISTRIBUTED  
OR USED AS A BASIS FOR MANUFACTURE  
WITHOUT PRIOR WRITTEN PERMISSION  
FROM KEYSTONE ELECTRONICS CORP.



NOTES:

1. CONTACT PIN:  
MAT'L - BRASS, SILVER PLATE  
INSULATOR:  
MAT'L - NYLON 6/6 - RED
2. RATINGS:  
CURRENT: 5 AMPS MAX.  
OPERATING VOLTAGE: 1500 RMS  
ADJACENT JACK CAPACITANCE:  
1 pF MAX. @ 1 MHz

<b>KEYSTONE ELECTRONICS CORP.</b>			
ASTORIA, N.Y. 11105-2017			
PART NAME		VERTICAL PC TEST JACK	
MATERIAL		AS NOTED	
FINISH		DRN BY	DATE
AS NOTED		BOONE	12.13.82
		APPD	SCALE
		LN	4X
TOLERANCES	INCH [MM]	CODE	DWG NO.
DECIMAL	$\pm .005$ [ $\pm 0.15$ ]	C	<b>6037</b>
ANGULAR	$\pm 1^\circ$		
UNLESS OTHERWISE SPECIFIED			

11.20.00	CHANGE AS PER ECN 00-116	A
DATE	DESCRIPTION	REV.