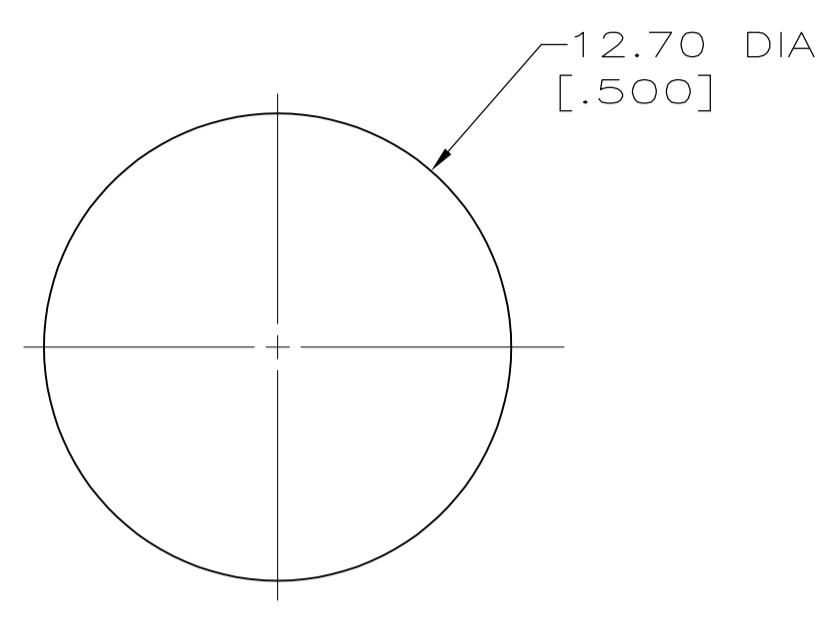
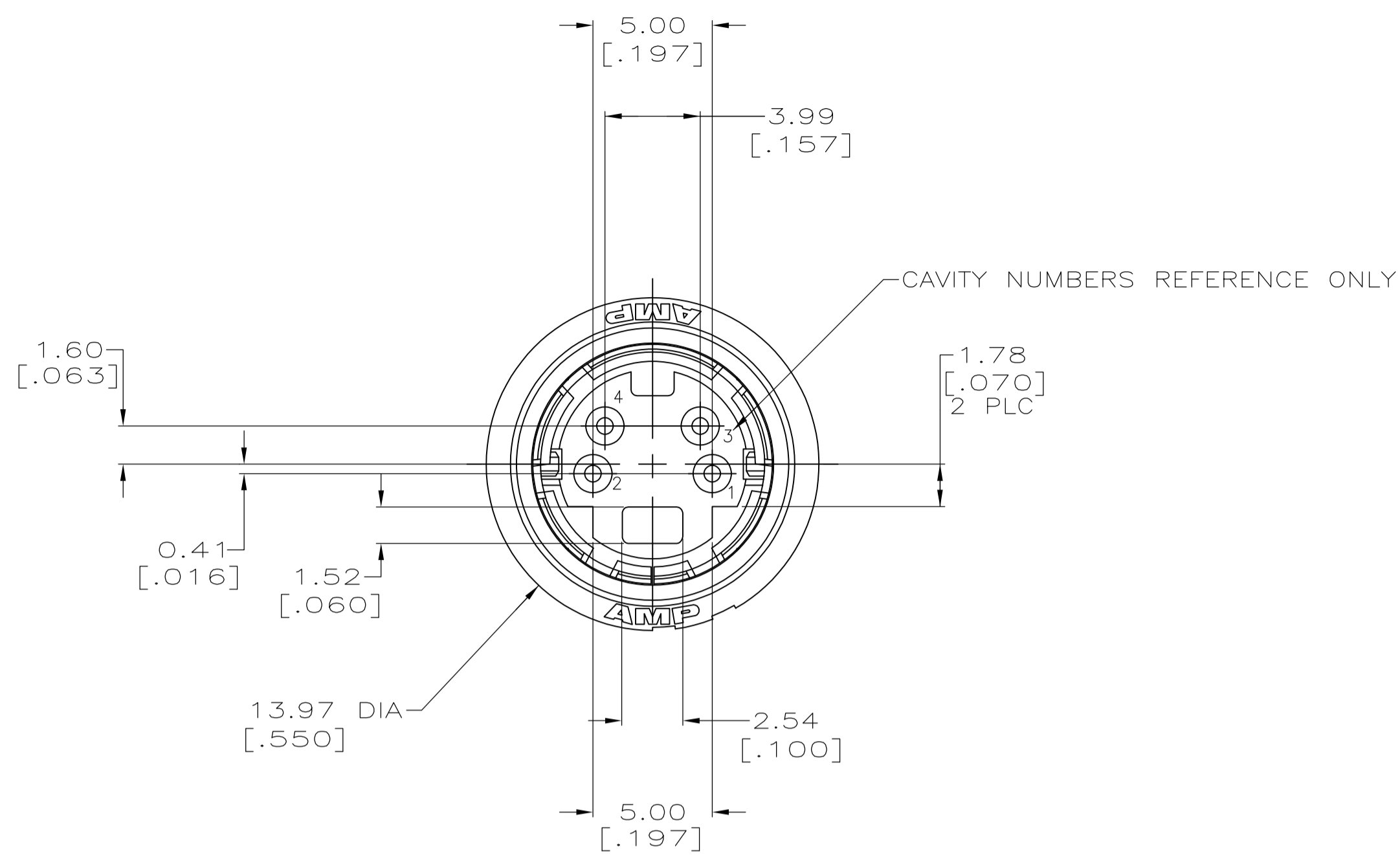
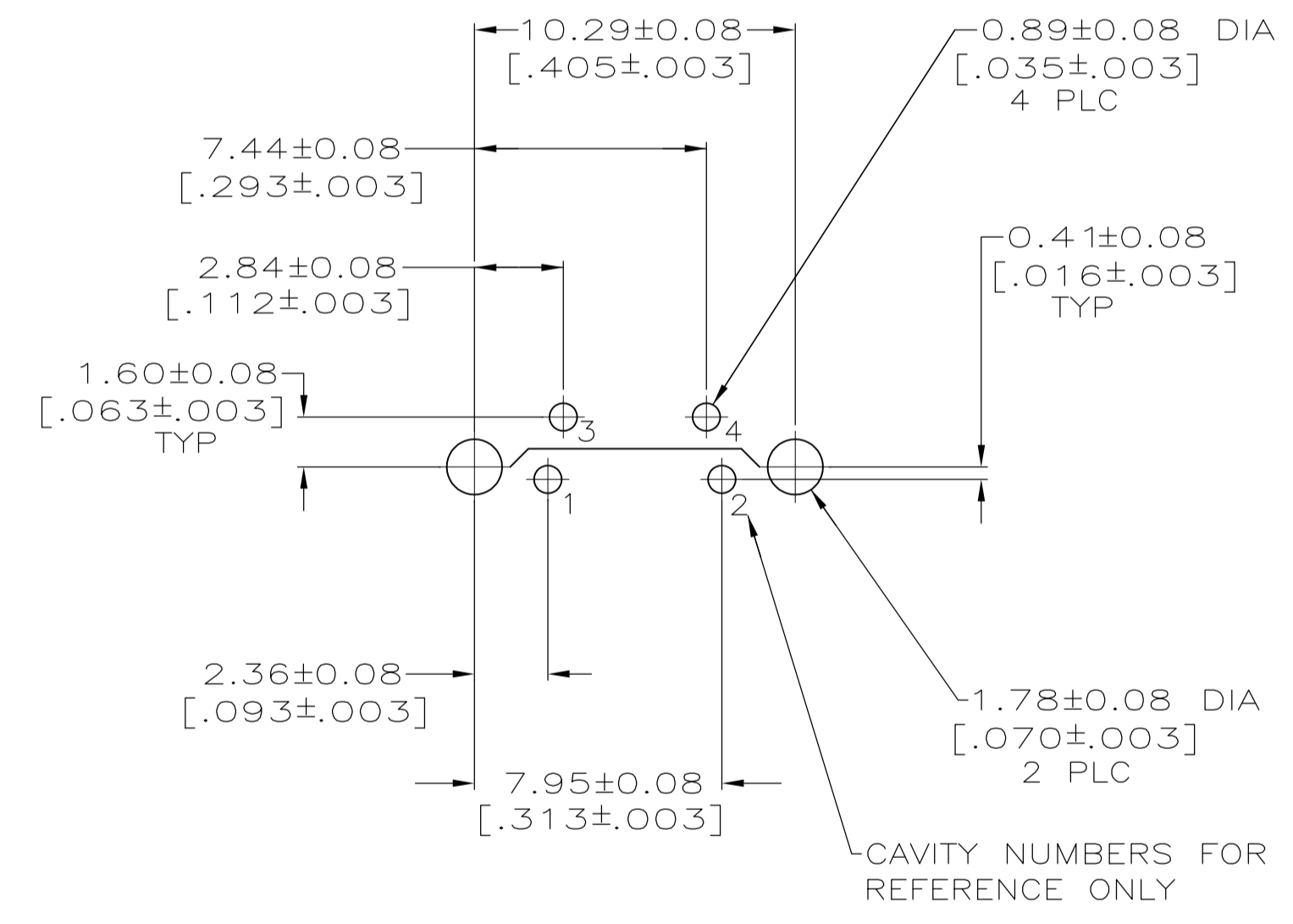
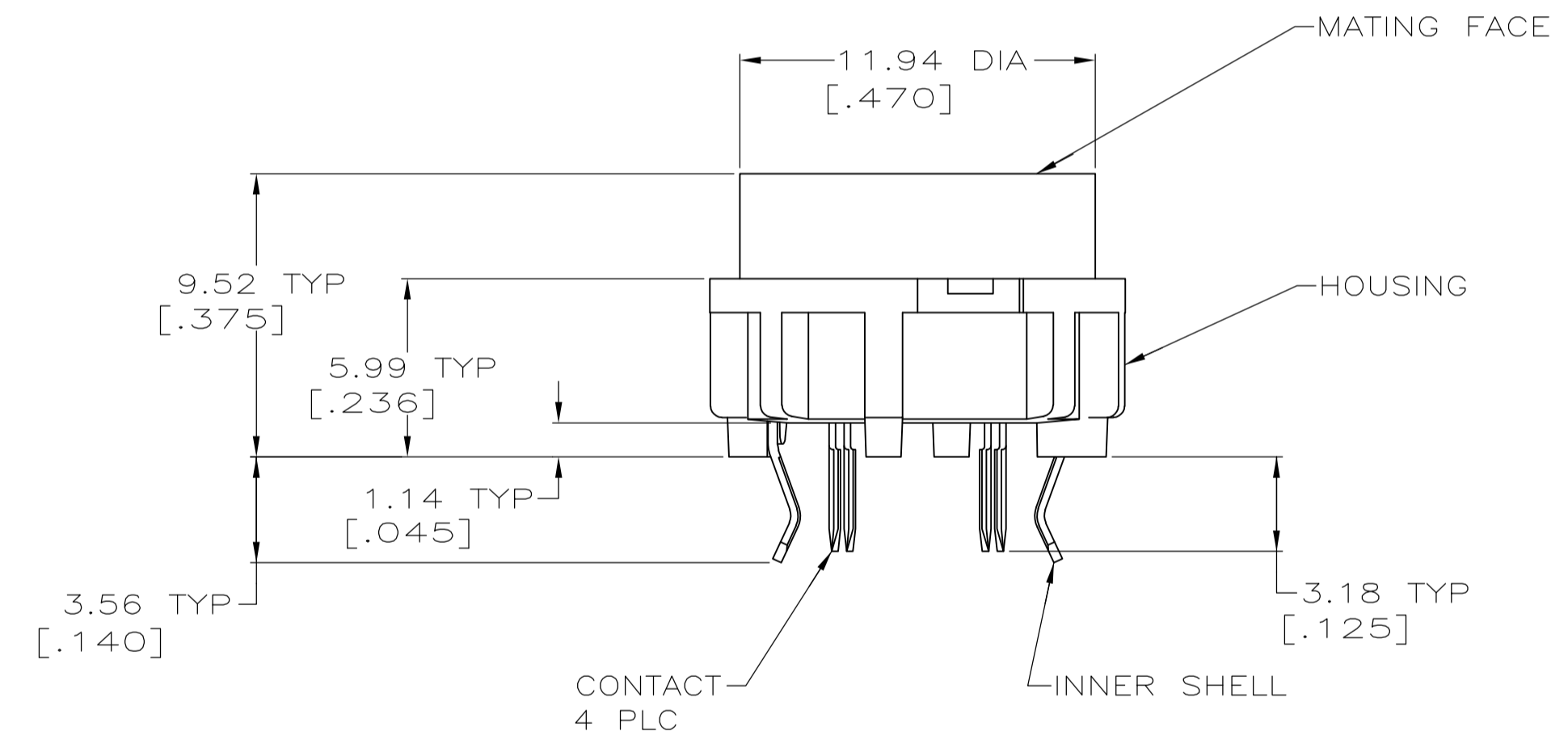


MOD		LOC		DIST		P		F		ZONE		LTR		REVISIONS		DATE	APPD
18	GP	00												A1	REV PER ECO-09-023313	13OCT09	AEG
														A	REV PER EC OS13-0177-03	5-03	CR

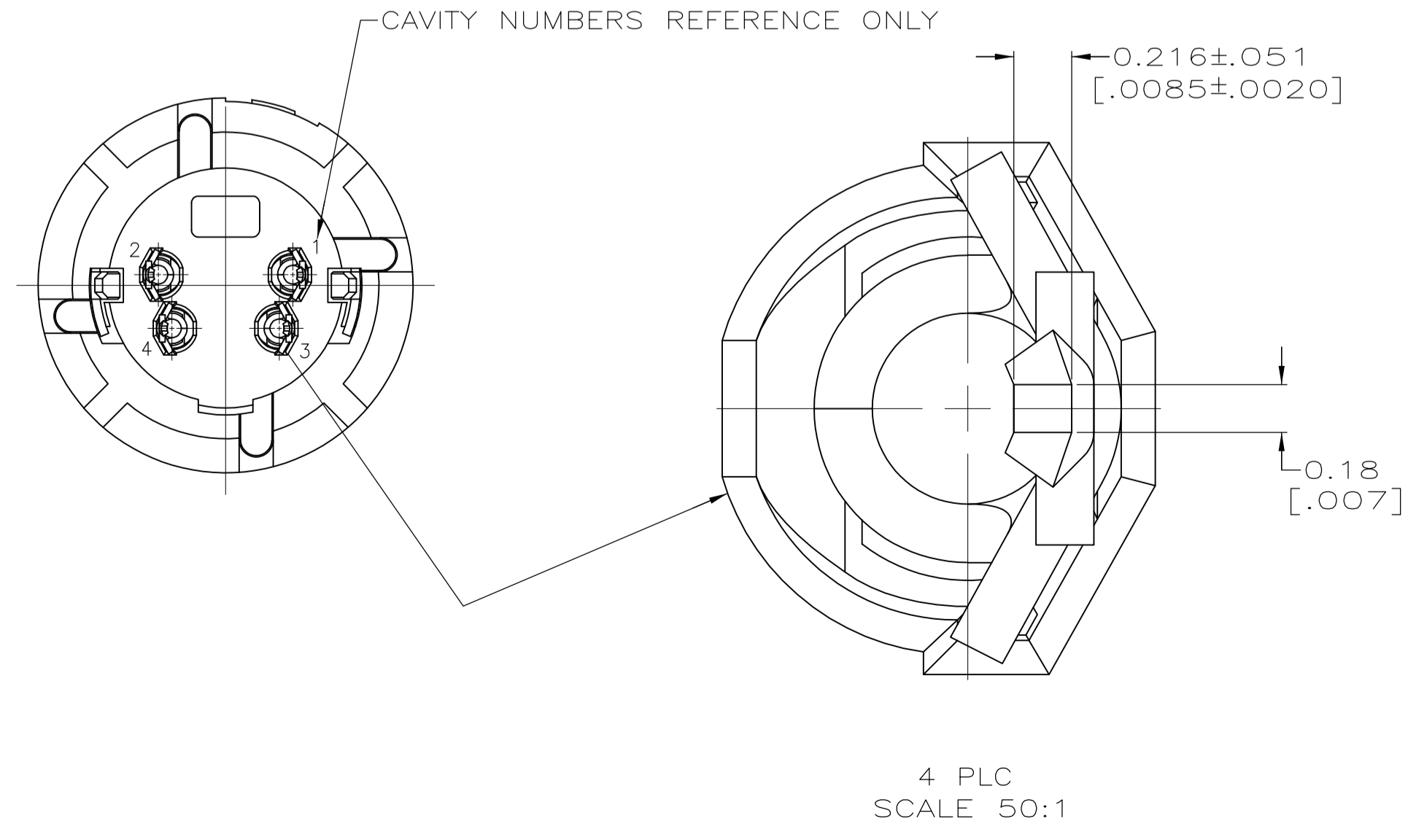


RECOMMENDED PANEL CUT-OUT

- ① SHELL: BRASS; CONTACTS: PHOSPHOR BRONZE; HOUSING: POLYESTER, UL 94V-0 RATED, BLACK.
- ② 0.76 μm [.000030] MIN GOLD ON MATING END FOR A LENGTH OF 1.37 [.054] MIN ON INSIDE, 2.54 μm [.000100] MIN TIN-LEAD FOR A LENGTH OF 3.30 [.130] MIN FROM OPPOSITE END, ALL OVER 1.27 μm [.000050] MIN NICKEL.
- ③ 0.38 μm [.000015] MIN GOLD ON MATING END FOR A LENGTH OF 1.37 [.054] MIN ON INSIDE, 2.54 μm [.000100] MIN TIN-LEAD FOR A LENGTH OF 3.30 [.130] MIN FROM OPPOSITE END, ALL OVER 1.27 μm [.000050] MIN NICKEL.
- ④ 2.54 μm [.000100] MIN TIN-LEAD OVER 1.27 μm [.000050] MIN NICKEL.
- ⑤ GOLD PLATING PER MIL-G-45204, TIN PLATING PER MIL-T-10727, NICKEL PLATING PER QQ-N-290.
- ⑥ RECEPTACLE ASSEMBLY MATES WITH 4 PIN, 8.99 \pm 0.10 [.354 \pm .004] DIAMETER PLUG.
- ⑦ 2.54 μm [.000100] MIN TIN OVER 1.27 μm [.000050] MIN NICKEL.
- ⑧ OBSOLETE PARTS: OBSOLETE CIS STREAMLINING PER D.RENAUD/D.SINISI



RECOMMENDED PC BOARD LAYOUT
BOTTOM VIEW



OBSOLETE	⑦	②	③	⑤	PART NO
⑧	④	⑤	②	③	750315-4
	④	⑤	②	③	750315-3
	④	⑤	②	③	750315-2
	④	⑤	②	③	750315-1

DO NOT SCALE PRINT. UNLESS SPECIFIED DIMENSIONS IN mm [INCHES] TOLERANCES: ON: 2 PLC DEC \pm 0.13 [.005] 3 PLC DEC \pm - ANGLES \pm -	DR 8-6-90 R.SHIREY	NAME	AMP Incorporated Harrisburg, PA 17105-3608	
MATERIAL	CHK -	APPD -	RECEPTACLE ASSEMBLY, 4 POSN, LOW FLANGE, UNSHIELDED, VERTICAL, MINIATURE CIRCULAR DIN	
FINISH	APPD -	PRODUCT SPEC	SIZE	CAGE CODE
SEE TABLE	APPD -		D	00779
	APPLICATION SPEC		DRAWING NO	750315
	WEIGHT		SCALE	5:1
			SHEET	1 OF 1

