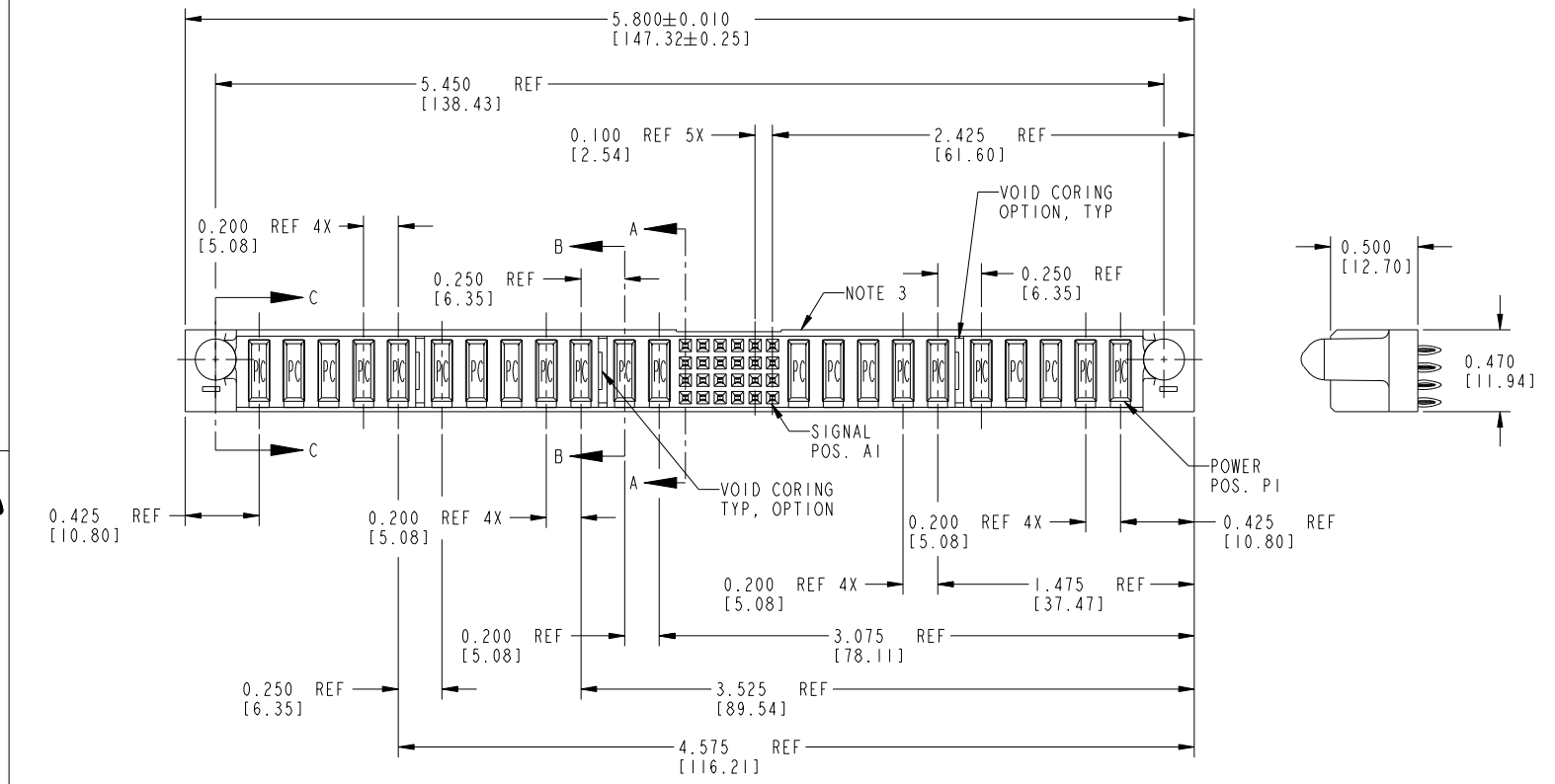


Tous droits strictement réservés. Reproduction ou communication à des tiers interdite sous quelque forme que ce soit sans autorisation écrite du propriétaire. Propriété de c.FCI. Droits de reproduction FCI.



All rights strictly reserved. Reproduction or issue to third parties in any form whatever is not permitted without written authority from the proprietor. Property of FCI. Copyright FCI.

PRODUCT No.	ROWS	POWER											SIGNAL					POWER											E1			
		E2	P22	P21	P20	P19	P18	P17	P16	P15	P14	P13	P12	P11	6	5	4	3	2	1	P10	P9	P8	P7	P6	P5	P4	P3		P2	P1	
51857-001..	D C B A																															



CODE	CONTACT TYPE
PC	POWER
F	SIGNAL

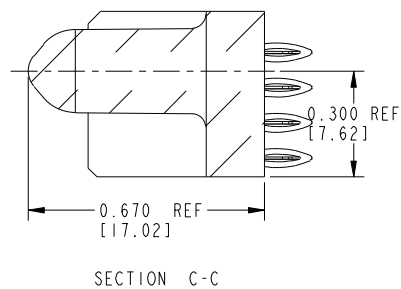
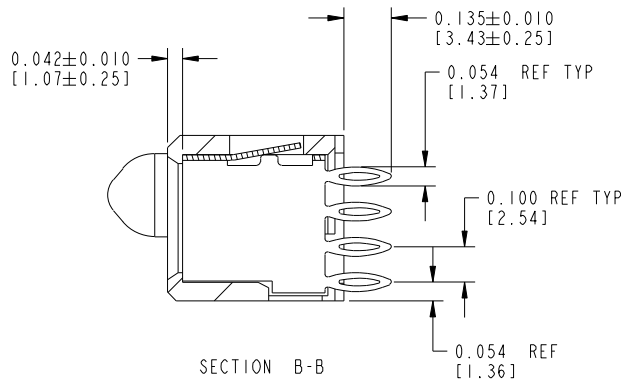
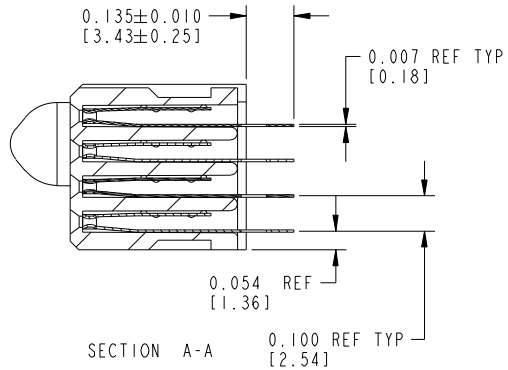
mat'l code				NOTE 1		tolerances unless otherwise specified		CUSTOMER	
ltr	ecn no.	dr	date	linear	.XX±.01/0.X±0.3	projection		COPY	
A	V02747	CGD	11-15-00		.XXX±.005/0.XX±0.13	INCH/MM		www.fciconnect.com	
B	V02764	CGD	11-17-00	angles	.XXX±.0020/0.XXX±0.051	scale 1:1		title 10P + 24S + 12P VERTICAL PRESSFIT RECEPTACLE	
C	DG05-0240	GuoJM	07/27/05		0°±2°			product family PwrBlade code 213	
D	DG07-0498	JW	05/23/08	dr	E. KORFF 10-06-00			size dwg no 51857 sheet 1 of 3	
				enr	E. TREECE 10-06-00			cage code 22526	
				chr	E. TREECE 10-06-00				
				appd	E. TREECE 10-06-00				
sheet index	revision sheet	D	D	D					
		1	2	3					

sheet index		revision sheet		D	D	D													
				1	2	3													

Tous droits strictement réservés. Reproduction ou communication à des tiers interdite sous quelque forme que ce soit sans autorisation écrite du propriétaire. Propriété de c.FCI. Droits de reproduction FCI.

All rights strictly reserved. Reproduction or issue to third parties in any form whatever is not permitted without written authority from the proprietor. Property of FCI. Copyright FCI.

PRODUCT NUMBER
51857-001--
NOTE: 3



NOTES: \triangle

1. DIMENSIONS AND TOLERANCES ARE IN ACCORDANCE WITH ASME Y14.5M, 1994 UNLESS OTHERWISE SPECIFIED.

CONNECTOR NOTES:

- ② HOUSING MATERIAL: UL 94 V-0 GLASS FILLED
HIGH-TEMP THERMOPLASTIC
POWER CONTACT MATERIAL: COPPER ALLOY
SIGNAL PIN MATERIAL: COPPER ALLOY
- 3. PLATING:
SEE ITEM 7 & 8 IN PRINT 10064183 FOR PLATING SPEC OF 51857-001; 51857-001LF
- ④ MANUFACTURER'S NAME, P/N, AND DATE CODE TO APPEAR ON THIS SURFACE.
- 5. PRODUCT SPECIFICATION GS-12-149.
APPLICATION SPECIFICATION BUS-20-067.
- 6. PACKAGED IN TRAYS.

PCB NOTES:

- 7. ALL HOLE DIAMETERS ARE FINISHED HOLE SIZE.
- ⑧ MOUNTING HOLES, WHERE APPLICABLE, ARE UNPLATED.
- ⑨ $\varnothing 1.151 \pm 0.025$ DRILLED HOLES PLATED WITH
0.008 MIN SnPb OR Sn OVER 0.03
TO 0.08 Cu PLATING TO ACHIEVE
 $\varnothing 1.02 \pm 0.07$ HOLE.
- ⑩ "DIM XXX" TO BE DETERMINED BY THE CUSTOMER.
- ⑪ CONNECTOR KEEP-OUT ZONE.
- 12. THE VOID CORING IN BETWEEN POWER MODULES, SIGNAL MODULES AND END MODULES ARE OPTIONAL AND THE SHAPE MAY BE DIFFERENT FOR OPTIMIZING THE MOLDING PROCESS. THE VOID CORING WILL NOT EFFECT TO PRODUCT FUNCTION.
- 13. A \triangle SYMBOL WILL BE NEXT TO ANY DIMENSION, VIEW, OR NOTE WHICH HAS BEEN MODIFIED WITH THE CURRENT DRAWING REVISION

mat'l code		NOTE 1		tolerances unless otherwise specified		CUSTOMER		FCI	
ltr	ecn no.	dr	date	linear	.XX±.01/0.X±0.3	COPY		www.fciconnect.com	
D				projection	.XXX±.005/0.XX±0.13	title		10P + 24S + 12P	
				angles	.XXX±.0020/0.XXX±0.051	product family		PwrBlade	
				dr	E.KORFF 10-06-00	size		213	
				enr	E.TREECE 10-06-00	dwg no		51857	
				chr	E.TREECE 10-06-00	scale		2	
				appd	E.TREECE 10-06-00	A		2	
sheet index	revision sheet					INCH/MM		code	
						2:1		213	
						A		sheet	
						2:1		2	

cage code 22526

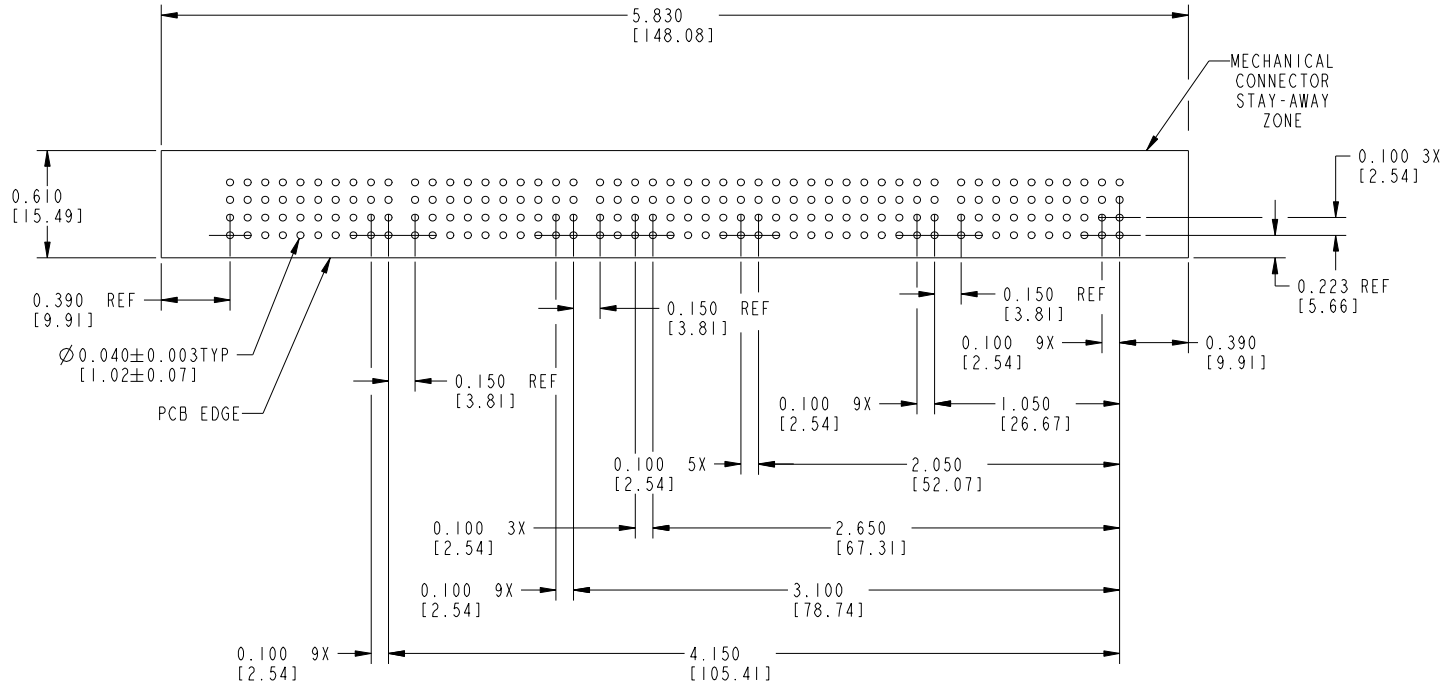
Pro/E

Tous droits strictement reserves. Reproduction ou communication a des tiers interdite sous quelque forme que ce soit sans autorisation écrite du propriétaire. Propriete de c FCI. Droits de reproduction FCI.



All rights strictly reserved. Reproduction or issue to third parties in any form whatever is not permitted without written authority from the proprietor. Property of FCI. Copyright FCI.

PRODUCT NUMBER
51857-001__
NOTE: 3



RECOMMENDED PCB LAYOUT

mat'l code		NOTE 1		tolerances unless otherwise specified		CUSTOMER		 www.fciconnect.com	
ltr	ecn no.	dr	date	linear	.XX±.01/0.X±0.3	COPY		title	
D					.XXX±.005/0.XX±0.13	projection		10P + 24S + 12P	
				angles	.XXX±.0020/0.XXX±0.051			VERTICAL PRESSFIT RECEPTACLE	
				dr	0° ± 2°	INCH/MM		product family	
				enr	E.KORFF 10-06-00	scale		PwrBlade	
				chr	E.TREECE 10-06-00	1:1		code	
				appd	E.TREECE 10-06-00	A		213	
sheet index		revision sheet				size		sheet	
						dwg no		3	
						51857			

cage code 22526

Pro/E