

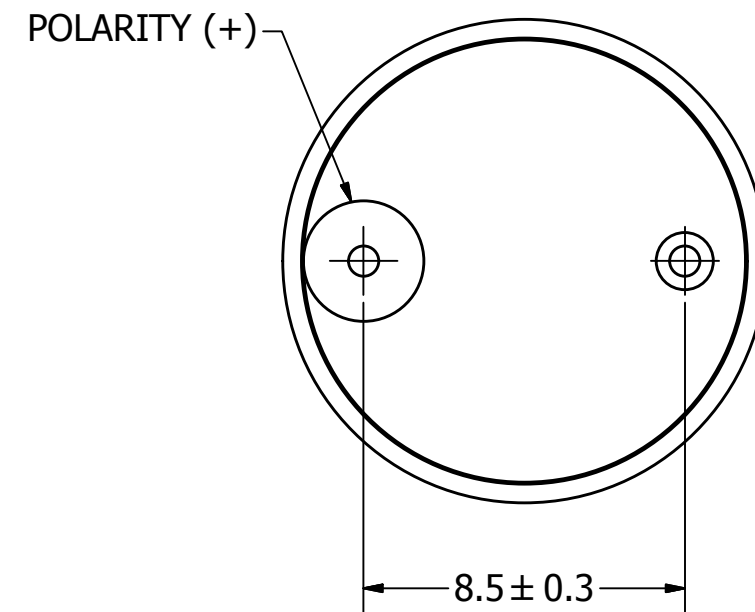
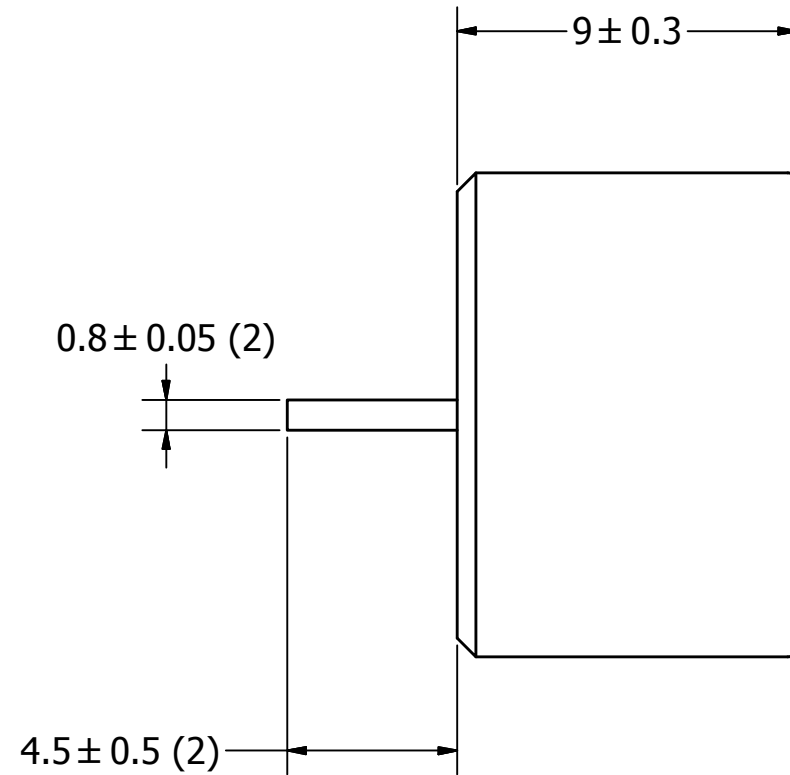
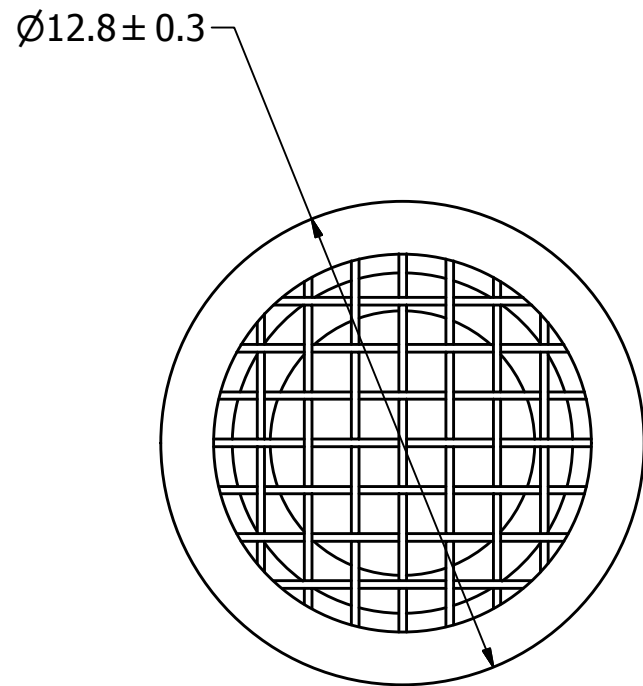
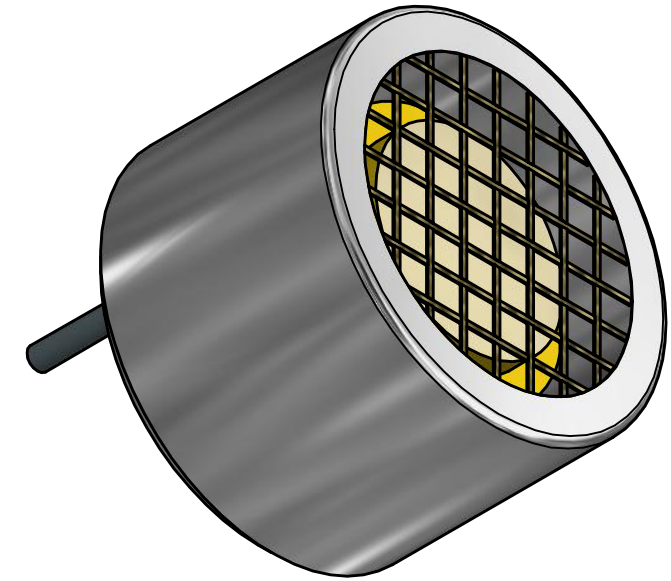
# SPECIFICATIONS

PARAMETERS	VALUES	UNIT
MAXIMUM INPUT VOLTAGE	30	VRMS
CAPACITANCE	2100 ±20%	pF
SENSITIVITY (0 dB=1V/μBAR)	-65	dB
CENTER FREQUENCY	40,000 ± 1,000	Hz
OPERATING TEMPERATURE	-20 ~ +70	°C
STORAGE TEMPERATURE	-30 ~ +80	°C
DIRECTIVITY (-6 dB)	70°	-
TERMINAL MATERIAL	Sn PLATED COPPER	-
WEIGHT	4.8	grams

THIS DOCUMENT CONTAINS DATA PROPRIETARY TO PROJECTS UNLIMITED, INC. ANY USE OR REPRODUCTION, IN ANY FORM, WITHOUT PRIOR WRITTEN PERMISSION OF PROJECTS UNLIMITED, INC. IS PROHIBITED.  
©2003, Projects Unlimited Inc.

# REVISION HISTORY

LTR	DESCRIPTION	DATE	APPROVED
-	RELEASED FROM ENGINEERING	6/1/2016	



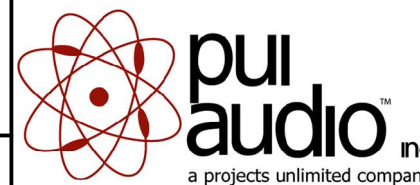
## NOTES:

1. ALL DIMENSIONS ARE IN MILLIMETERS.
2. SPECIFICATIONS SUBJECT TO CHANGE OR WITHDRAWL WITHOUT NOTICE.
3. THIS PART IS RoHS 2011/65/EU COMPLIANT.
4. DESIGNED FOR USE WITH THE UT-1240K-TT-R.

UNLESS OTHERWISE SPECIFIED:  
ALL PURCHASES ARE SUBJECT TO AND INCORPORATE THE PUI AUDIO TERMS AND CONDITIONS SALE FOUND AT [http://www.puiaudio.com/pdf/terms\\_conditions.pdf](http://www.puiaudio.com/pdf/terms_conditions.pdf) (paper copy available upon request).  
DIMENSIONS ARE IN MILLIMETERS, TOLERANCES ARE ±0.5 AND ANGLES ARE ±3°.

SIZE  
**A3**

Designed by	Date	Checked by	Date	Approved by	Date	Drawn Date
M.V.	6/1/2016	M.V.	6/1/2016	B.R.	6/1/2016	6/1/2016



**UR-1240K-TT-R**

Ultrasonic Receiver

Edition  
-  
Sheet  
1 / 1

UR-1240K-TT-R.idw