

SPECIFICATIONS

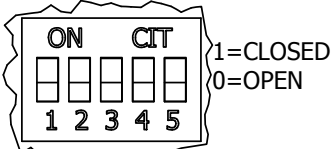
| PARAMETERS | VALUES | UNITS |
|-------------------------------|-------------------|-------|
| RATED VOLTAGE | 24 | Vdc |
| OPERATING VOLTAGE RANGE | 9 ~ 28 | Vdc |
| TONE OUTPUT | SEE 32 TONE CHART | - |
| CURRENT CONSUMPTION (NOMINAL) | SEE 32 TONE CHART | mA |
| INGRESS PROTECTION | IP65 | - |
| CASE MATERIAL/COLOR | ABS/RED | - |
| TERMINAL | LEAD WIRE | - |
| OPERATING TEMPERATURE | -25 ~ +70 | °C |
| WEIGHT | 85 | grams |

THIS DOCUMENT CONTAINS DATA PROPRIETARY TO PROJECTS UNLIMITED, INC. ANY USE OR REPRODUCTION, IN ANY FORM, WITHOUT PRIOR WRITTEN PERMISSION OF PROJECTS UNLIMITED, INC. IS PROHIBITED.
©2003, Projects Unlimited Inc.

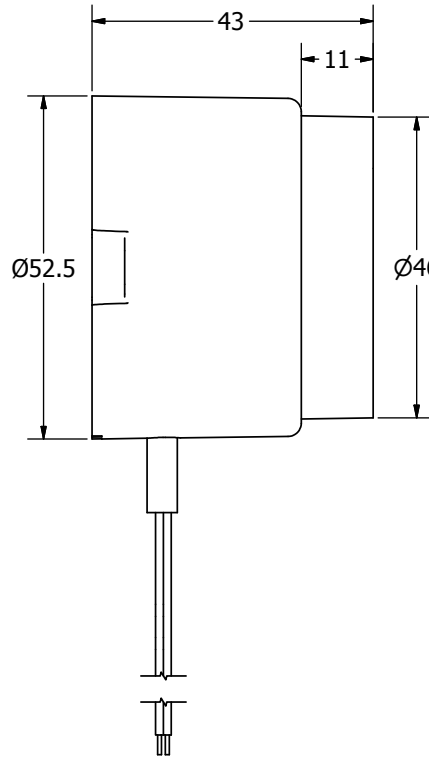
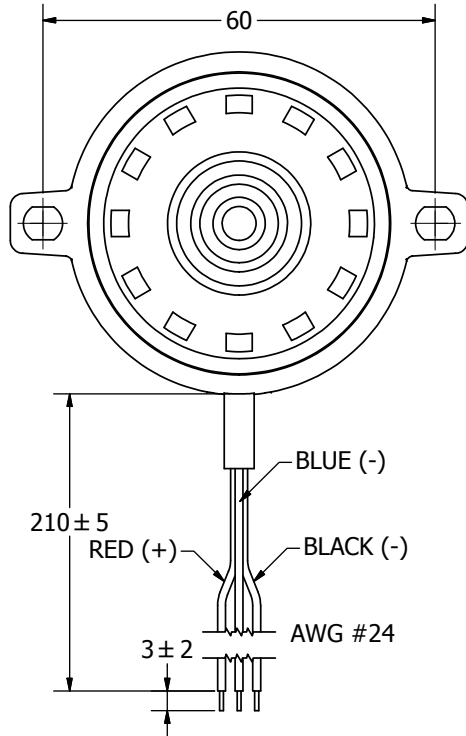
REVISION HISTORY

| LTR | DESCRIPTION | DATE | APPROVED |
|-----|--|------------|----------|
| - | RELEASED FROM ENGINEERING | 12/15/2005 | |
| A | ADDED VOLUME CONTROL & TONE SWITCHES | 12/19/2006 | R.W. |
| B | REVISED LEAD WIRE DIMENSIONS | 12/20/2006 | R.W. |
| C | ADDED RoHS NOTE | 5/21/2007 | R.W. |
| D | REVISED DETAIL "A" DIL SWITCH | 3/11/2009 | B.R. |
| E | REVISED TO INVENTOR 3-D DRAWING TEMPLATE | 6/11/2010 | B.R. |

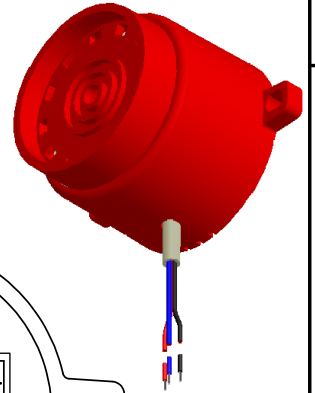
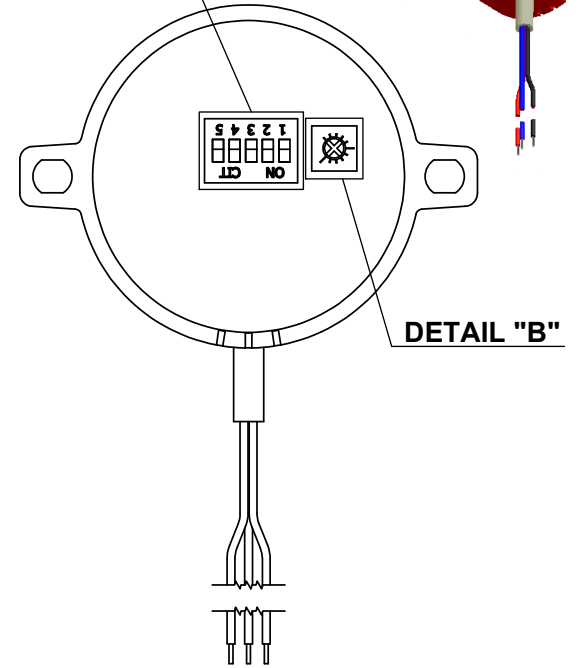
DETAIL "A"



DETAIL "B" VOLUME CONTROL



DETAIL "A"



NOTES:

1. ALL DIMENSIONS ARE IN MILLIMETERS.
2. SPECIFICATIONS SUBJECT TO CHANGE OR WITHDRAWAL WITHOUT NOTICE.
3. THIS PART IS RoHS 2002/95/EC COMPLIANT.

| | | | | | | | | |
|--|------|-------------|------------|------------|------------|-------------|------------|------------|
| UNLESS OTHERWISE SPECIFIED: DIMENSIONS ARE IN MILLIMETERS, TOLERANCES ARE ±0.5 AND ANGLES ARE ±3°. | SIZE | Designed by | Date | Checked by | Date | Approved by | Date | Drawn Date |
| | A3 | J.A.F. | 12/15/2005 | E.P. | 12/15/2005 | B.R. | 12/15/2005 | 6/11/2010 |
| AW-10FR.idw | | | | | | AW-10FR | | |
| | | | | | | Siren | | Edition |
| | | | | - | | 1 / 1 | | |