

1 2 3 4 5 6

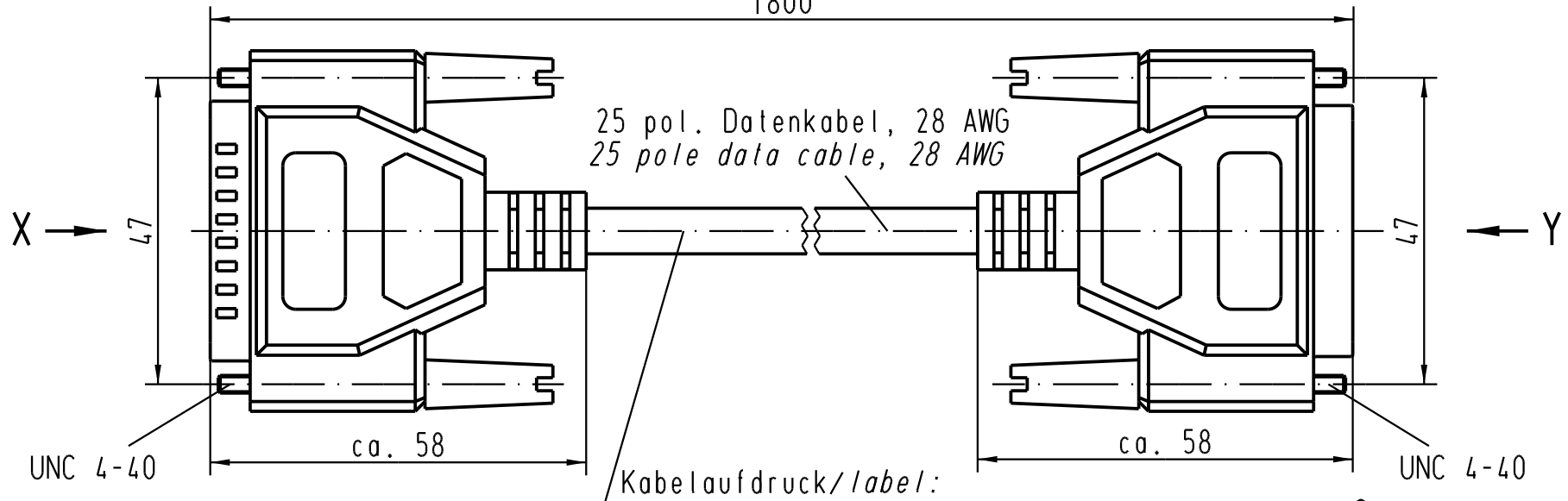
A

B

C

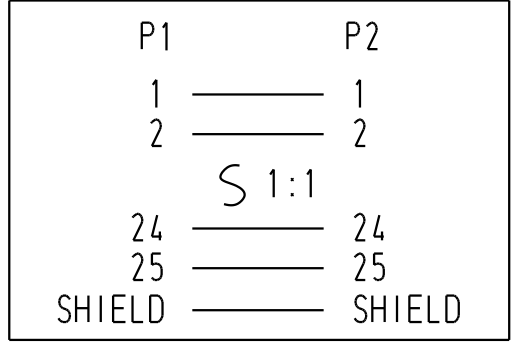
D

1800

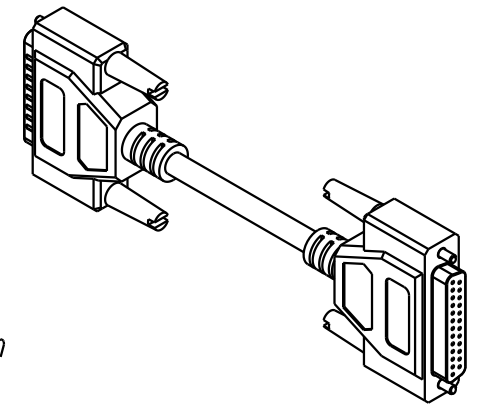


Kabelaufdruck/label:

Harting Art.No. 39 50 903 0040

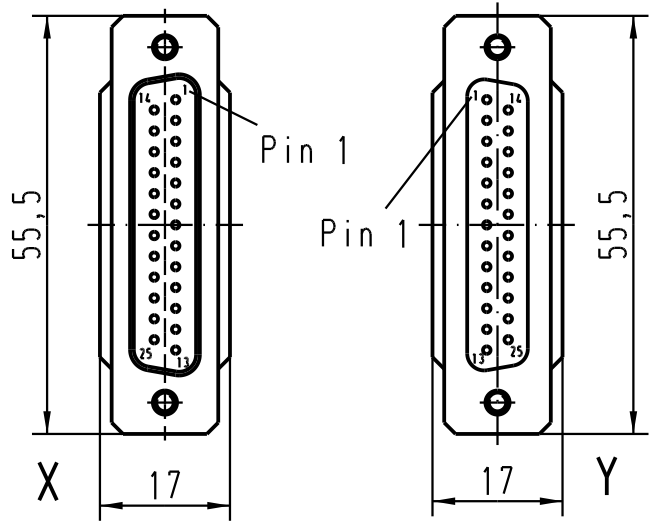


Stromlaufplan/
circuit diagram



DB25 M
P1

DB25 F
P2



| | | | | | | |
|---|----------|-------------------|--------------------------------|------|--|--------------|
| All Dimensions in mm Original Size DIN A 4 | | Techn. Character. | | | Nicht tolerierte Masse / Free size tolerances | |
| | | | Dat. | Name | Massstab / Scale | |
| | | Detail. | 17.02.05 | Loe. | 1:1 | |
| | | Insp. | | Be | | |
| | | Stand. | | | | |
| 411516 | 15.03.05 | Loe. | HARTING Electric GmbH & Co. KG | | Leitung SUB-D25 f-m, 1,8m, grau cable SUB-D25, f-m, 1,8m, grey | |
| 411474 | | | D-32339 Espelkamp | | | |
| Mod. | Dat. | Name | | | TB 39 50 903 0040 | |
| | | | | | Sub. | Blatt / page |