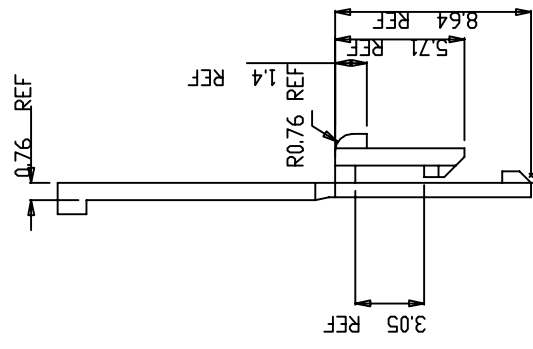
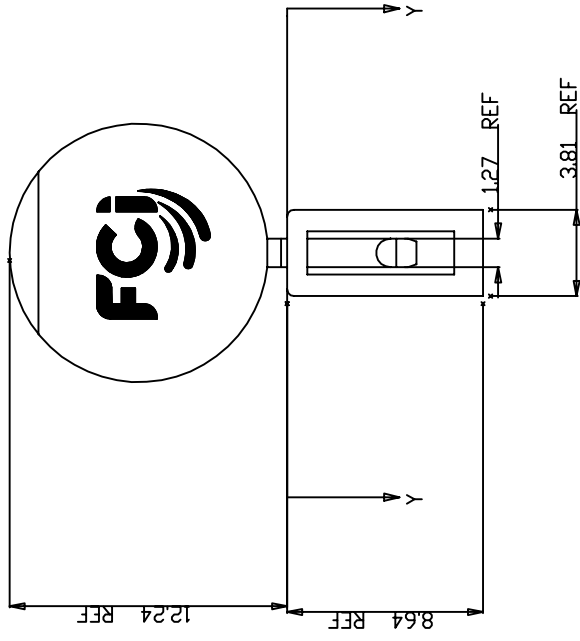
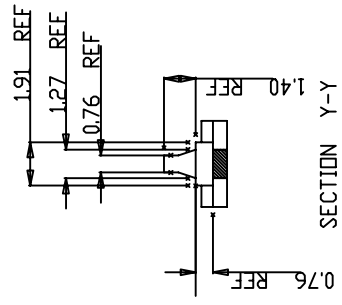




PRODUCT NO
 SEE TABLE

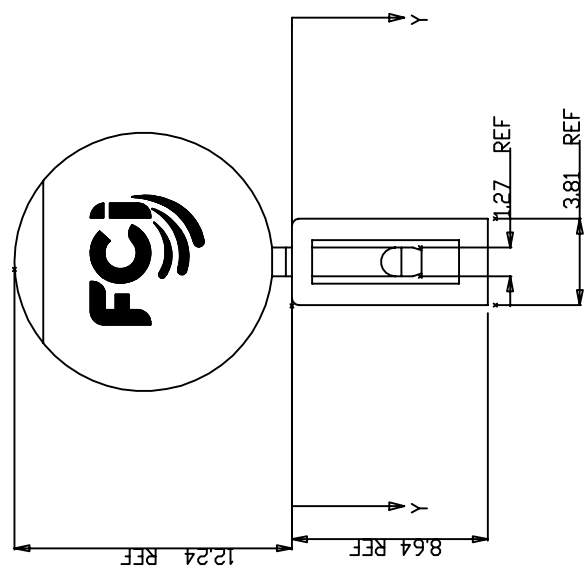
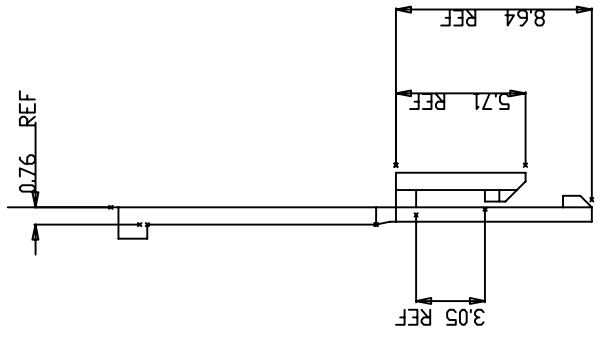
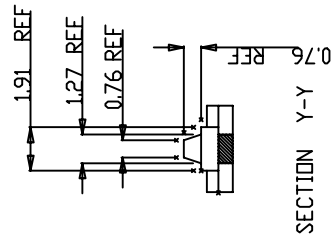


NOTES:
 1. MAT'L SEE TABLE.
 2. COLOR SEE TABLE.
 3. PART NUMBERS WITH LF IN THE END ARE LEAD FREE.

Material		Spec ref		projection		MM	
Mat code		surface		size		Scale	
Heat treat		tolerance		A4		3.000	
Plating/Finish		Product family		ECN		N06-0282	
Dr JIMBAIR		Model Name		REL Level		Rev.	
Erg M.C.SMYK		Model Revision		66423		F	
Chr M.C.SMYK		Header Polarizing Key		CUSTOMER		sheet 1 of 2	
Appr M.C.SMYK		FCI logo		catalog no		66423	
Mark with 66423B REV. in area indicated by X.....		Pro/E file		customer		sheet 1 of 2	
rev ecn no dr date		catalog no		66423		sheet 1 of 2	
D V10391 JVB 3/2/91		66423		66423		sheet 1 of 2	
E N06-0088 LONG 4/06/06		66423		66423		sheet 1 of 2	
F N06-0282 VG 11/8/06		66423		66423		sheet 1 of 2	
TOLERANCES UNLESS OTHERWISE SPECIFIED		66423		66423		sheet 1 of 2	
LINEAR 0.X ±0.3		66423		66423		sheet 1 of 2	
0.XX ±0.10		66423		66423		sheet 1 of 2	
0.XXX ±0.050		66423		66423		sheet 1 of 2	
ANGULAR 0° ±2°		66423		66423		sheet 1 of 2	

STYLE A

PRODUCT NO	STYLE	COLOR	MATERIAL NO
66423-001/-001LF	A	BLUE	16-508-069 OR 16-508-131
66423-002/-002LF	B	BLUE	
66423-003/-003LF	A	BLACK	16-508-113
66423-004/004LF	B	BLACK	16-508-102
66423-005/005LF	A	BEIGE	16-508-114
66423-006/-006LF	B	BEIGE	16-508-115



Material	Spec ref	surface	tolerance	projection	MM
Mat code	-	-	-	-	-
Heat treat	-	-	-	-	-
Plating/Finish	-	-	-	-	-
Dwg no	66423	Product family	-	size	A4
Dr	J.M.BAIR	Model Name	66423b	ECN	N06-0282
Eng	M.C.SMYK	Model Revision	-	REL Level	-
Chr	M.C.SMYK	HEADER POLARIZING KEY			
Appr	M.C.SMYK	Rev. F			
Pro/E file	catalog no	CUSTOMER			
sheet 2 of 2					

STYLE B