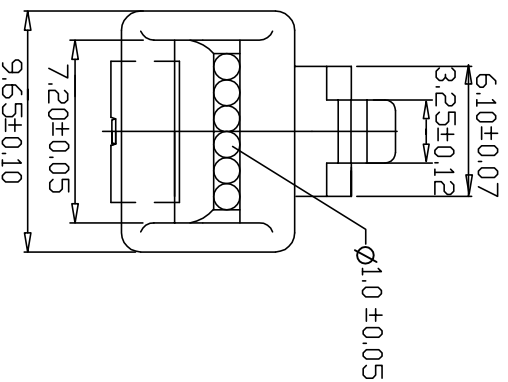
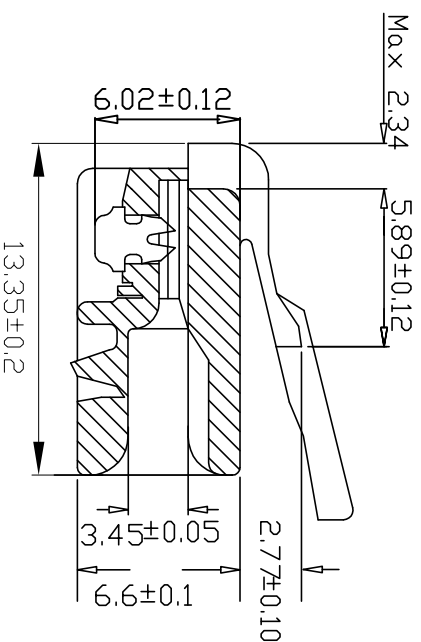
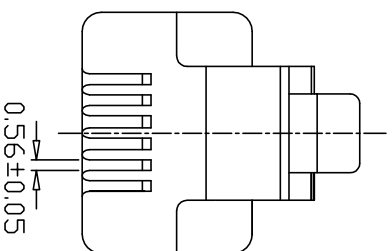


MP6P4C



SPECIFICATIONS	
HOUSING	POLY CARBONATE(PC) UL94V2
CONTACT BLADE	HIGH STRENGTH COPPER ALLOY
MATERIAL	100 MICRON NICKEL UNDERPLATED
PLATING TYPE	8% PHOSPHOR BRONZE
PLATING THICKNESS:	GOLD PLATED 6U"
OPERATING TEMP	-40°C TO 125°C
CURRENT RATING	250V AC MAX AT 2A
DIELECTRIC	500V AC
INSULATION RES	500MEGAOHMS

**RoHS compliant**  
Unit: mm

Scale	Free		
TOLERANCE			
X.X	±0.2		
X.XX	±0.10		
X.XXX	±0.05		
DIM	TOL		
X.°	±3°		
X.X°	±1.0°		
Angle	TOL		

Id.	Modification	Date	Name
①	Drawn	13.06.2016	Joanna

Date	Name	Customer-r-No.
13.06.2016	Joanna	
13.06.2016	Joanna	ASSMANN WSW-No. A-MO 6/4-SF

Drawing-No.	Replace	Sheet
ASS 7278 CO		rev00



1	2	3	4	5	6	7
H	G	F	E	D	C	B