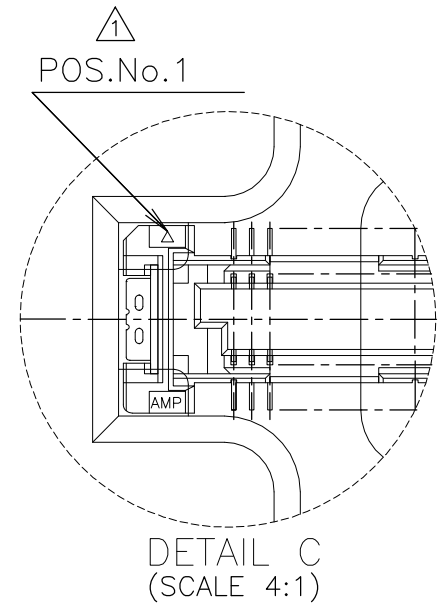
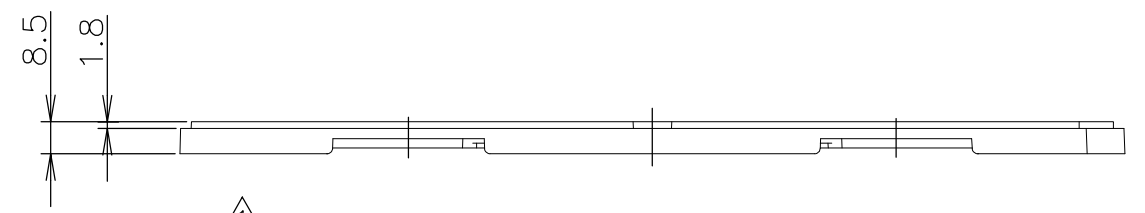
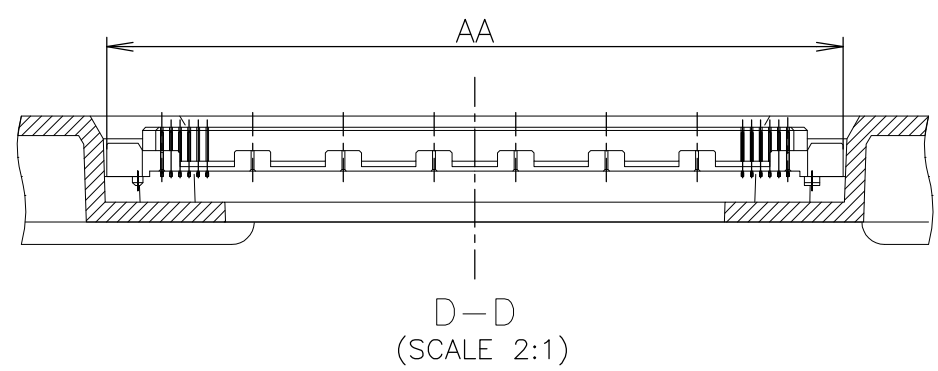
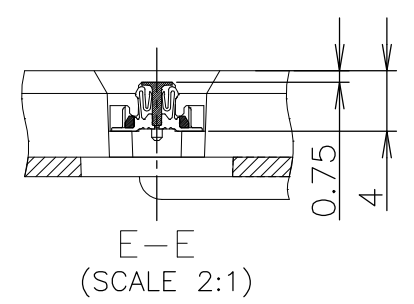
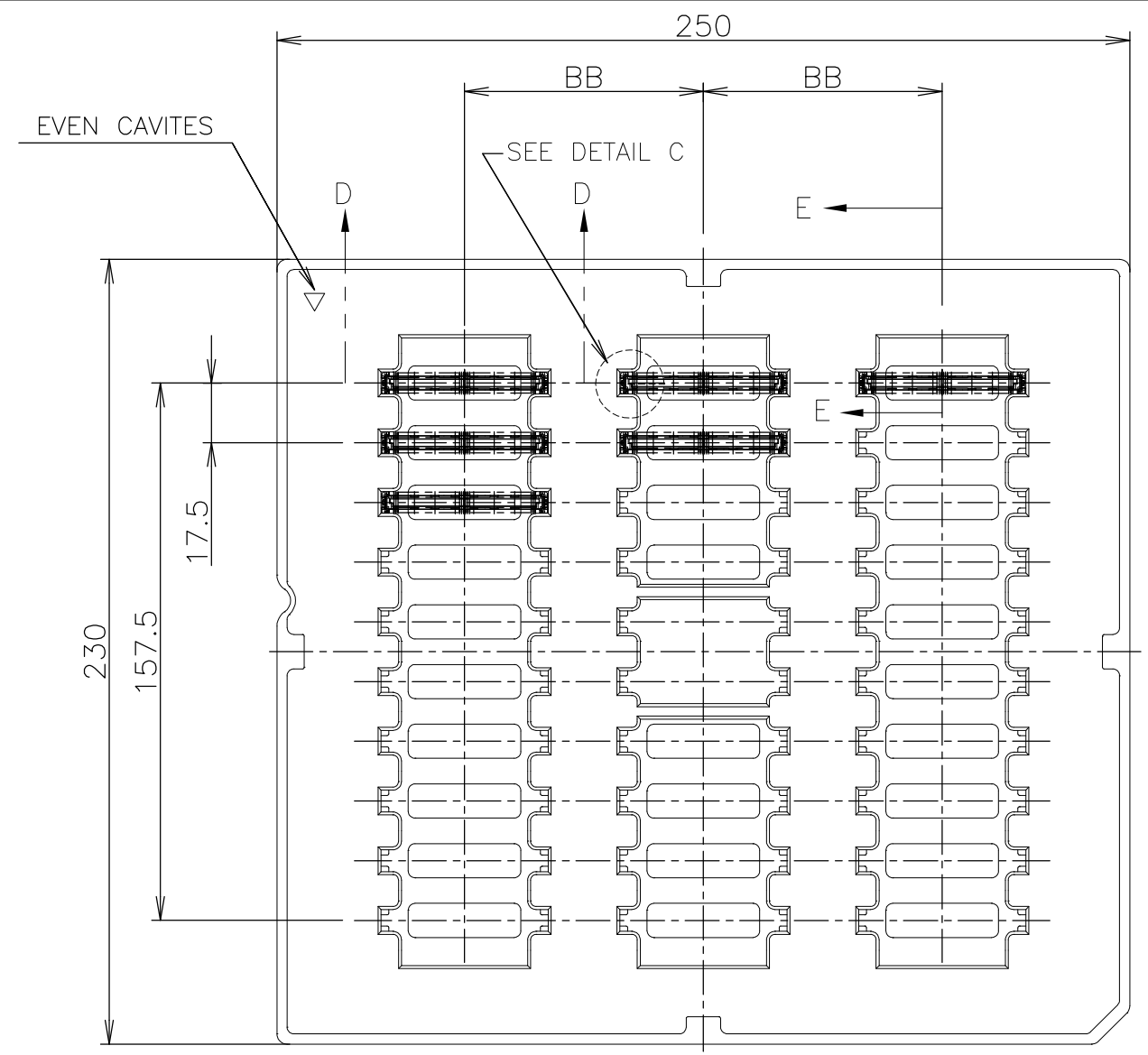


THIS DRAWING IS UNPUBLISHED. RELEASED FOR PUBLICATION APR ,2007.  
 © COPYRIGHT 2007 BY TYCO ELECTRONICS CORPORATION. ALL RIGHTS RESERVED.

LOC	DIST	REVISIONS			
P	LTR	DESCRIPTION	DATE	DWN	APVD
J					
	A	REVISED	18JUN07	Y.S	Y.N



SEALANT	TOOLING STATUS	ROW	QTY	BB	AA	POS.	PART NO.
AVAILABLE		3	30	70	54.7	160	1-1981983-1
NOT AVAILABLE					48.7	140	1- -0
					42.7	120	-9
					36.7	100	-8
		3	30	70	33.7	90	-7
		5	50	43	30.7	80	-6
					27.7	70	-5
					24.7	60	-4
					21.7	50	-3
					18.7	40	-2
NOT AVAILABLE		5	50	43	15.7	30	1981983-1

THIS DRAWING IS A CONTROLLED DOCUMENT.

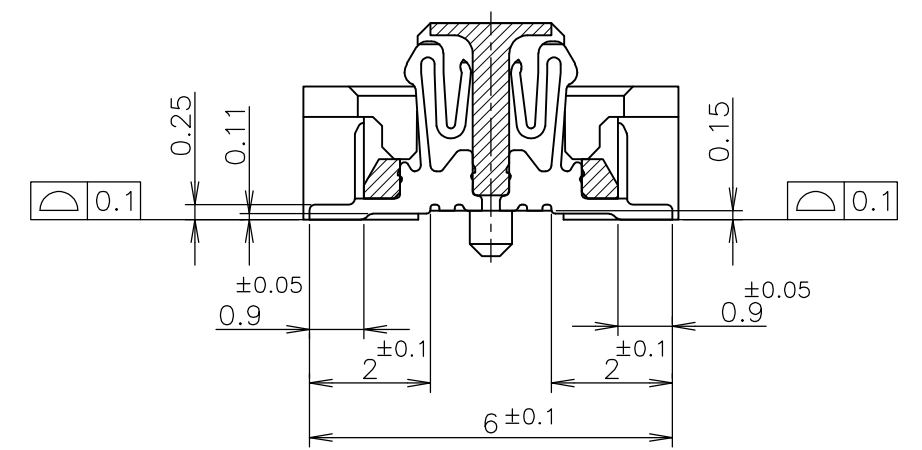
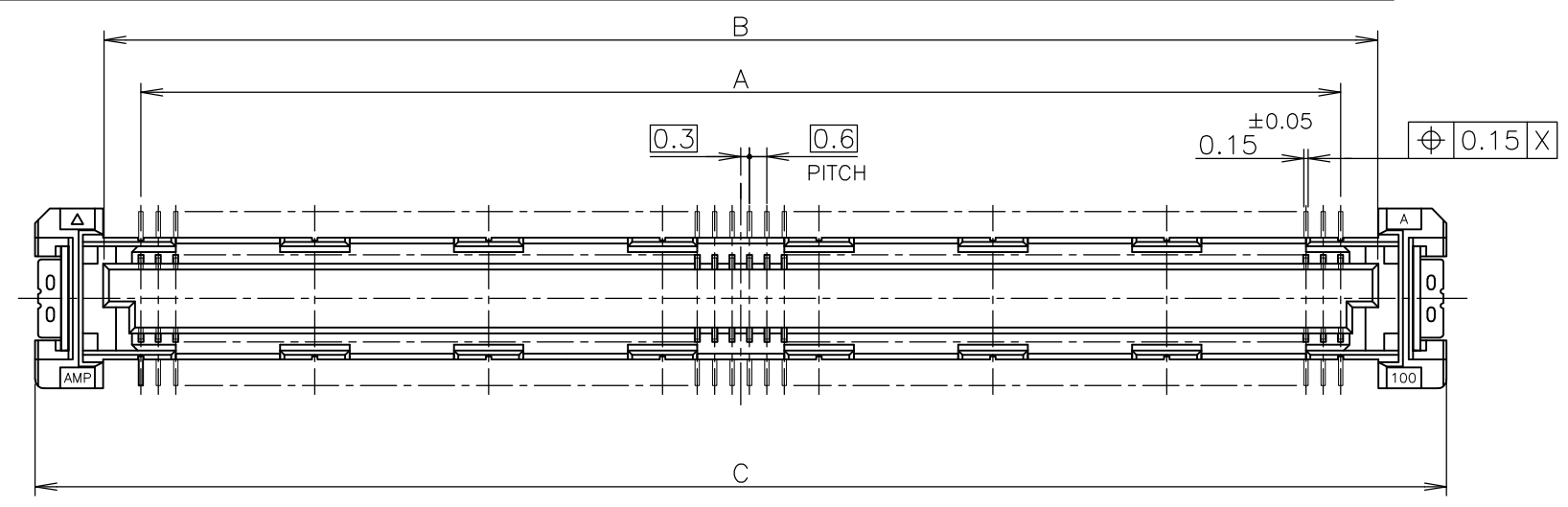
DWN Y.NAKAZAWA 02APR2007	Tyco Electronics Kawasaki, Japan
CHK T.FUTATSUGI 02APR2007	
APVD T.FUTATSUGI 02APR2007	NAME
PRODUCT SPEC 108-60047	HARD TRAY ASSY FH 0.6BTB CONNECTOR
APPLICATION SPEC 114-5255	REC 4H W/G-CONT AU-PLATED 0.00076mm
WEIGHT	SIZE CAGE CODE DRAWING NO RESTRICTED TO
	A3 00779 C-1981983
CUSTOMER DRAWING	SCALE 1:2 SHEET 1 OF 3 REV A

GENERAL TOLERANCE  
 10 >= : ±0.2  
 30 >= >10: ±0.25  
 100 >= >30: ±0.3  
 ANGLES: ±3°

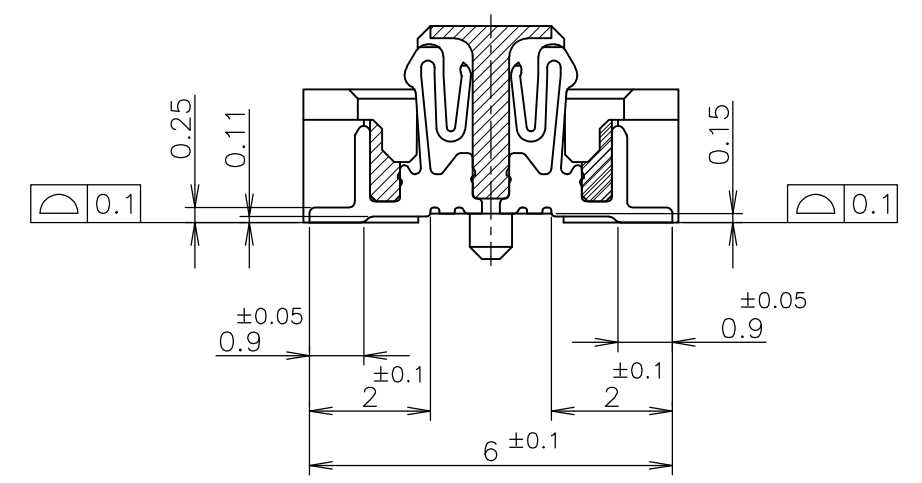
DIMENSIONS: MM	TOLERANCES UNLESS OTHERWISE SPECIFIED:
	0 PLC ± -
	1 PLC ± -
	2 PLC ± -
	3 PLC ± -
	4 PLC ± -
MATERIAL	ANGLES ± -
	FINISH ± -

THIS DRAWING IS UNPUBLISHED. RELEASED FOR PUBLICATION APR , 2007.  
 © COPYRIGHT 2007 BY TYCO ELECTRONICS CORPORATION. ALL RIGHTS RESERVED.

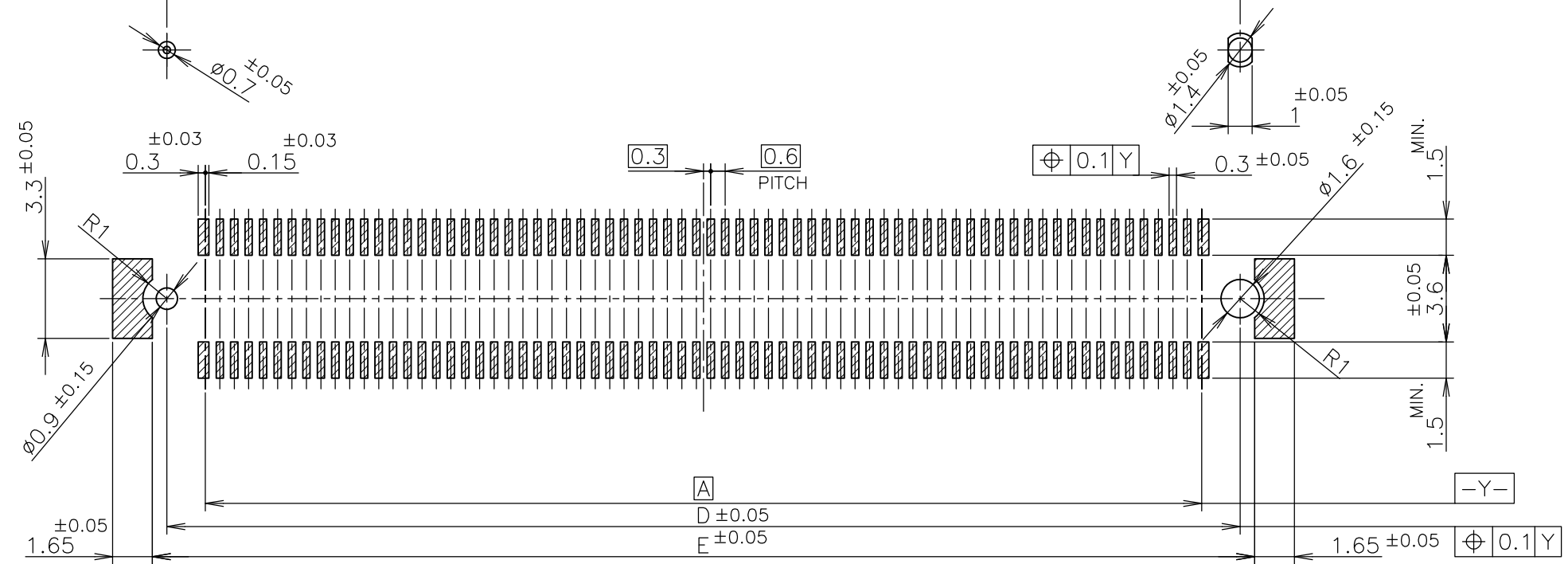
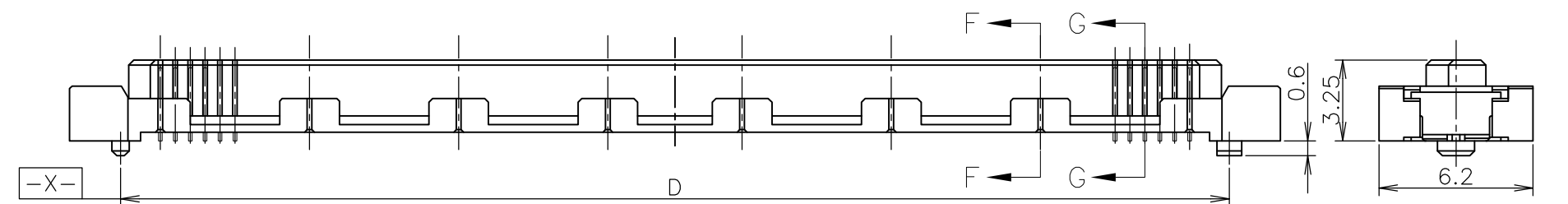
LOC	DIST	REVISIONS			DATE	DWN	APVD
J	/	P	LTR	DESCRIPTION			
		-	-	SEE SHEET 1 OF 3	-	-	-



G-G  
(SIGNAL POSITION)  
(SCALE 8:1)



F-F  
(GROUND POSITION)  
(SCALE 8:1)



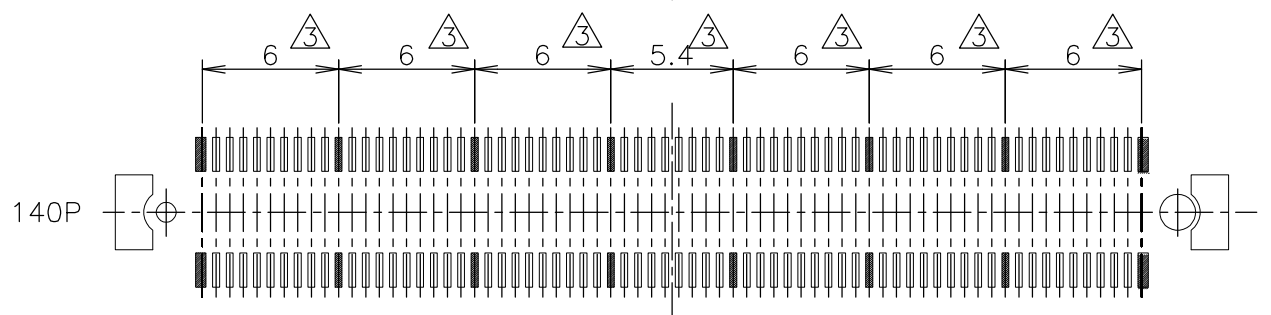
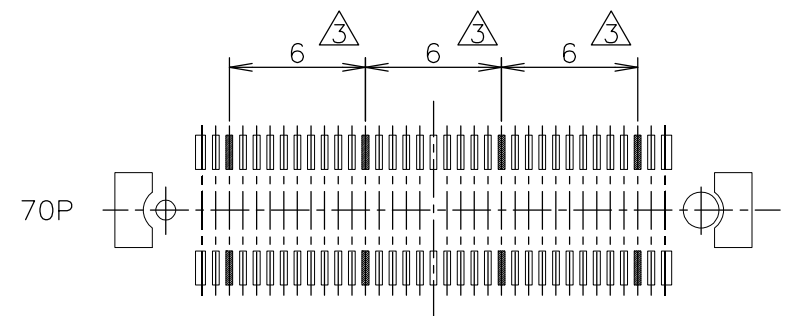
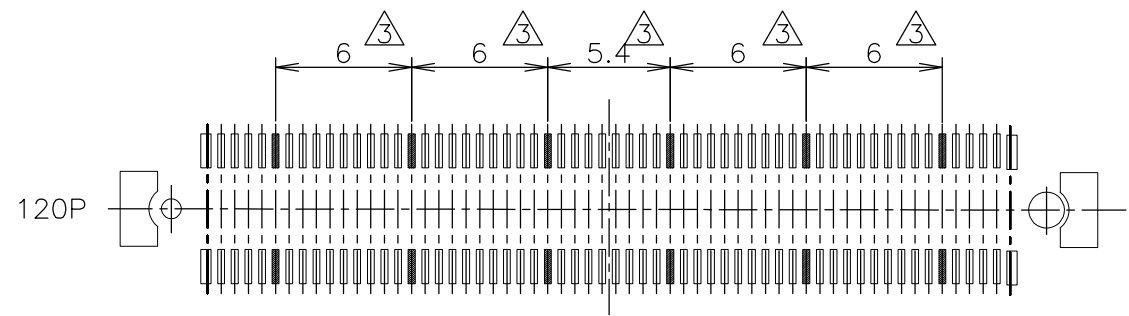
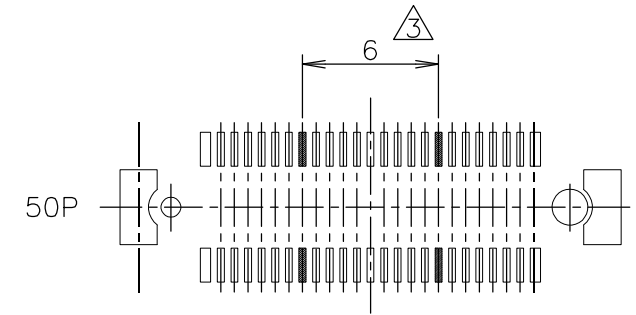
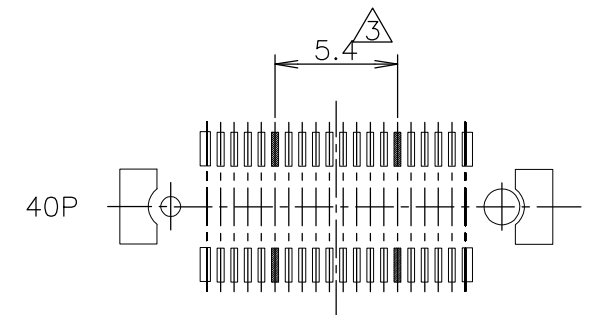
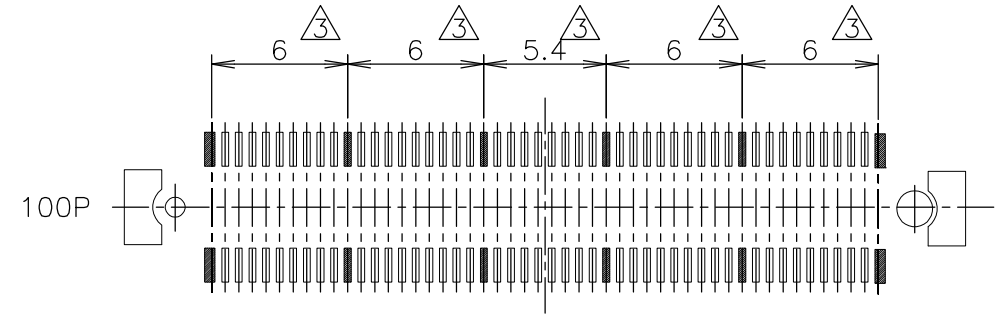
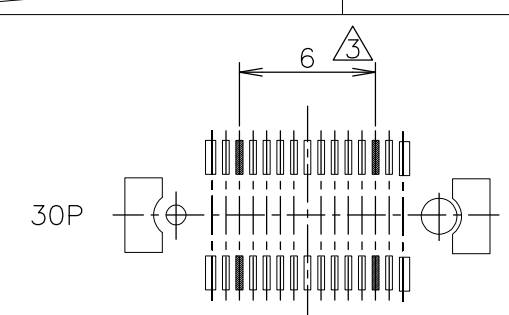
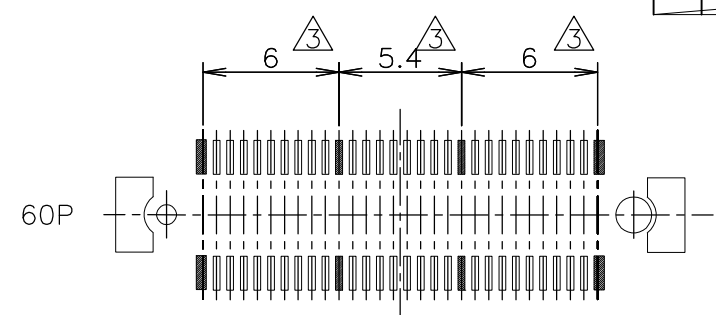
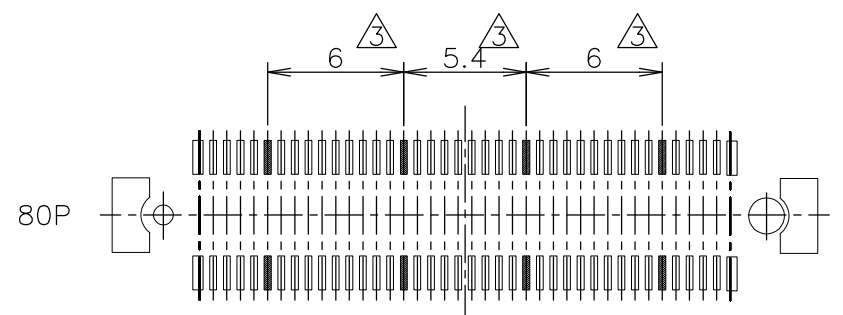
AVAILABLE	51.8	50.6	54.7	50	47.4	160	1-1981983-1
NOT AVAILABLE	45.8	44.6	48.7	44	41.4	140	1-0
	39.8	38.6	42.7	38	35.4	120	-9
	33.8	32.6	36.7	32	29.4	100	-8
	30.8	29.6	33.7	29	26.4	90	-7
	27.8	26.6	30.7	26	23.4	80	-6
	24.8	23.6	27.7	23	20.4	70	-5
	21.8	20.6	24.7	20	17.4	60	-4
	18.8	17.6	21.7	17	14.4	50	-3
	15.8	14.6	18.7	14	11.4	40	-2
NOT AVAILABLE	12.8	11.6	15.7	11	8.4	30	1981983-1
TOOLING STATUS	E	D	C	B	A	POS	△ PART NO.

RECOMMENDED P.C.BOARD LAYOUT

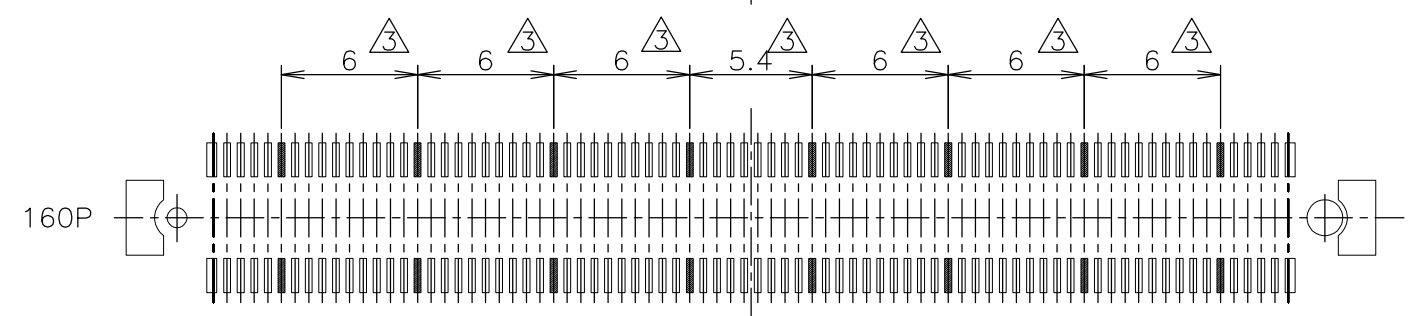
THIS DRAWING IS A CONTROLLED DOCUMENT.		DWN	Tyco Electronics		Tyco Electronics AMP K.K.	
DIMENSIONS: MM		CHK	NAME		Kawasaki.Japan	
TOLERANCES UNLESS OTHERWISE SPECIFIED:		APVD	PRODUCT SPEC		HARD TRAY ASSY	
0 PLC ± 0.3		PRODUCT SPEC	APPLICATION SPEC		FH 0.6BTB CONNECTOR	
1 PLC ± 0.3		APPLICATION SPEC	WEIGHT		REC 4H W/G-CONT AU-PLATED 0.00076mm	
2 PLC ± 0.3		WEIGHT	SIZE	CAGE CODE	DRAWING NO	RESTRICTED TO
3 PLC ± 0.3			A3	00779	G-1981983	
4 PLC ± 0.3			CUSTOMER DRAWING		SCALE	SHEET
ANGLES ± 3'					4:1	2 OF 3
FINISH					REV	A

THIS DRAWING IS UNPUBLISHED. RELEASED FOR PUBLICATION APR , 2007.  
 © COPYRIGHT 2007 BY TYCO ELECTRONICS CORPORATION. ALL RIGHTS RESERVED.

LOC	DIST	REVISIONS		
J	/	P	LTR	DESCRIPTION
		-	-	SEE SHEET 1 OF 3
				SEE SHEET 1
				DATE
				DWN
				APVD



- ① MATERIAL ; HOUSING : HIGH TEMP THERMO PLASTIC  
UL94V-0
- ② FINISH ; UNDER PL Ni 0.0013mm MIN ALL OVER.  
CONTACT : COPPER ALLOY  
CONTACT AREA 0.00076 MIN Au PL.  
SOLDERING AREA: SIGNAL POS 0.00005 MIN Au PL.  
GROUND POS 0.001 MIN TIN PL.
- ③ THIS POSITION IS GROUND CIRCUIT.
- ④ PACKING SEE SHEET 1.



THIS DRAWING IS A CONTROLLED DOCUMENT.		DWN	Tyco Electronics AMP K.K. Kawasaki.Japan	
DIMENSIONS: MM		CHK	NAME	
TOLERANCES UNLESS OTHERWISE SPECIFIED:		APVD	HARD TRAY ASSY FH 0.6BTB CONNECTOR REC 4H W/G-CONT AU-PLATED 0.00076mm	
0 PLC ± 0.3		PRODUCT SPEC	SIZE	CAGE CODE
1 PLC ± 0.3		APPLICATION SPEC	A3	00779
2 PLC ± 0.3		WEIGHT	DRAWING NO	
3 PLC ± 0.3		CUSTOMER DRAWING	G-1981983	
4 PLC ± 0.3			SCALE	SHEET
ANGLES ± 3'			3:1	3 OF 3
FINISH			REV	A