

NOTES:

1. MATERIALS AND FINISHES:

BODY - BRASS, GOLD PLATING (.000003" MIN. THICK)  
 CONTACT - BeCu, GOLD PLATING (.000005" MIN. THICK)  
 INSULATOR - PTFE, NATURAL

2. ELECTRICAL:

A. IMPEDANCE: 50 OHM  
 B. FREQUENCY RANGE: DC - 6 GHz  
 C. D.W.V: 1000 VRMS, MIN.

3. MECHANICAL:

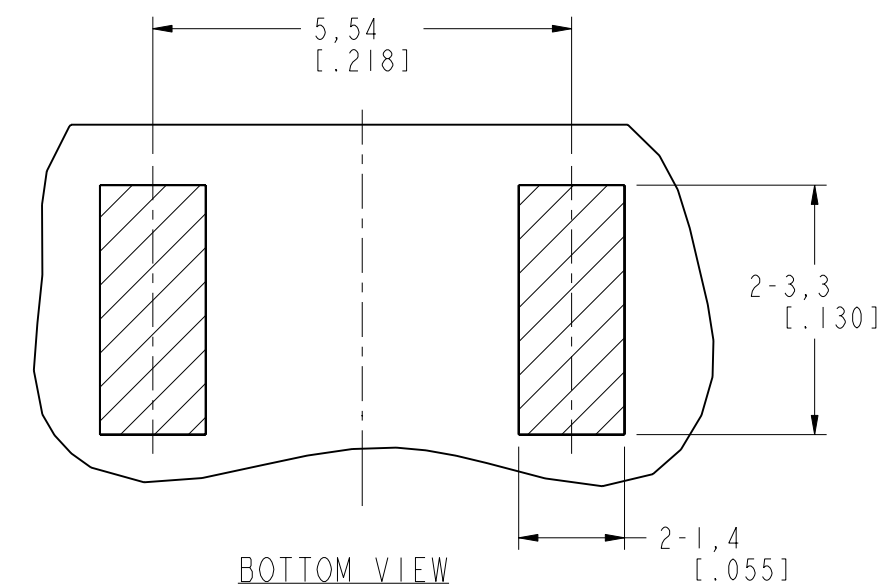
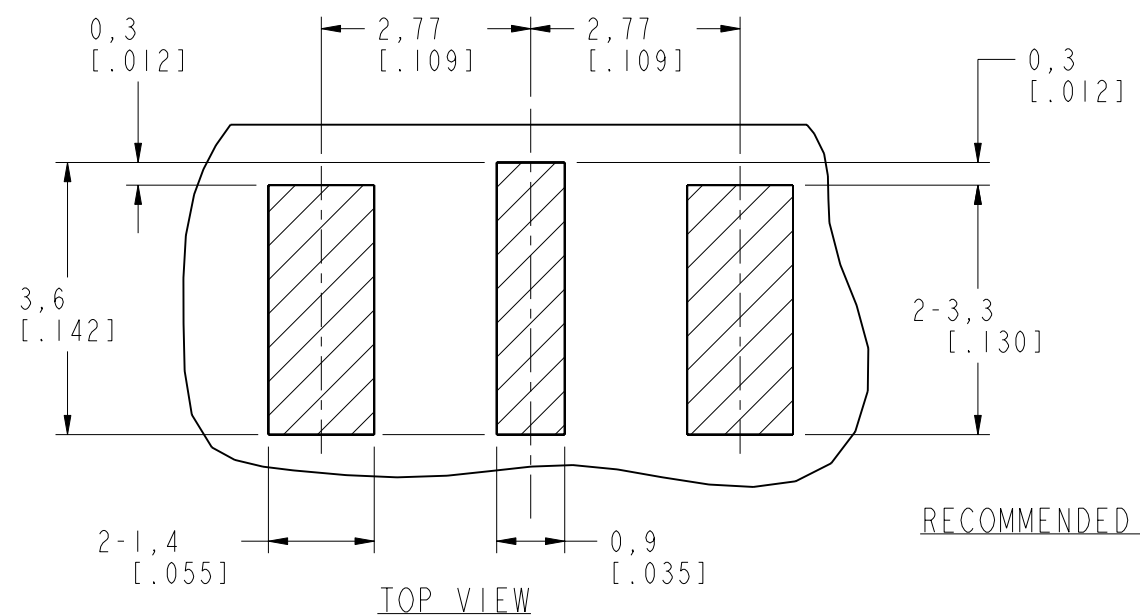
A. DURABILITY: 500 CYCLES MIN.  
 B. TEMPERATURE RANGE: -65°C TO +165°C

4. BOARD THICKNESS=1.57 MM [.062"]

THIRD ANGLE PROJ.

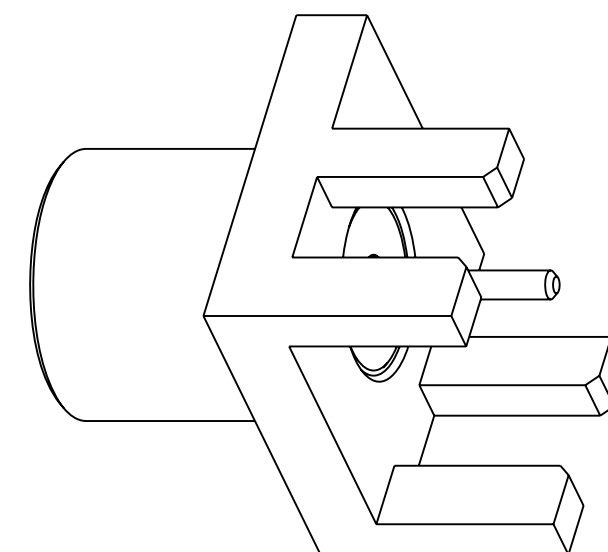
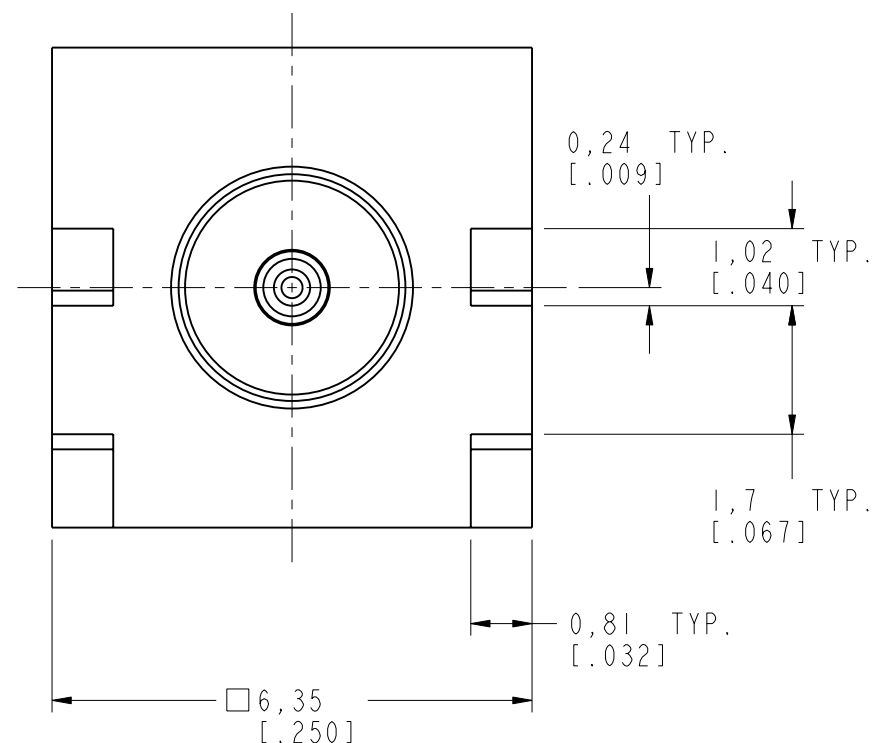
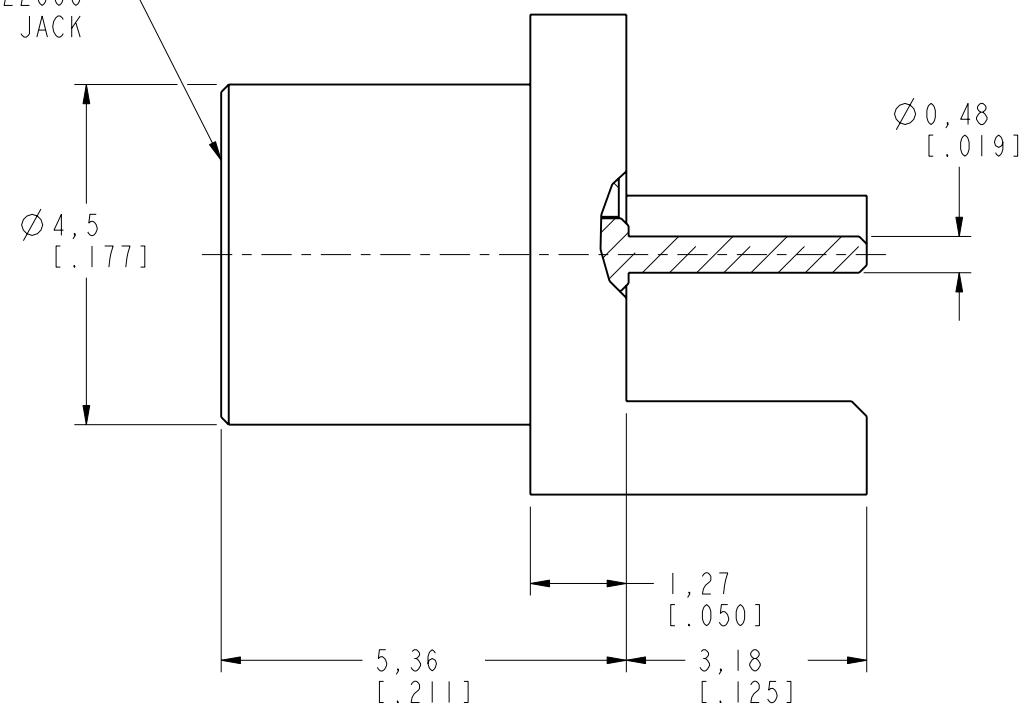
REVISIONS

REV	DESCRIPTION	DATE	ECO	APPR
A	RELEASE TO MFG.	01-Jul-16	01326	MZ



RECOMMENDED PCB LAYOUT

INTERFACE PER  
 CECC 22000  
 SERIES: MCX JACK



SCALE 8.000

**CUSTOMER OUTLINE DRAWING**

ALL OTHER SHEETS ARE FOR INTERNAL USE ONLY

UNLESS OTHERWISE SPECIFIED, DIMENSIONS ARE IN METRIC AND TOLERANCES ARE: <0.5mm ±0.05mm    0.5 - 6mm ±0.1mm    6 - 30mm ±0.2mm    30 - 120mm ±0.3mm    ANGLES ±1°	MATERIAL	DRAWN M. ZHANG	DATE 01-Jul-16	TITLE MCX END LAUNCH JACK RECETP. (FOR .062" THICK PCB)	Amphenol RF www.amphenolrf.com
	REFERENCE SAME AS MCX625100-013-3GT30G-50 EXCEPT CENTER CONTACT PLATING CONFIGURATION LEVEL:	ENGINEER S. DUAN	DATE 01-Jul-16		
NOTICE - These drawings, specifications, or other data (1) are, and remain the property of Amphenol corp. (2) must be returned upon request; and (3) are confidential and not to be disclosed to any person other than those to whom they are given by Amphenol Corp. the furnishing of these drawings, specifications, or other data by Amphenol Corp., or to any other person to anyone for any purpose is not to be regarded by implication or otherwise in any manner licensing, granting rights to permitting such holder or any other person to manufacture, use or sell any product, process or design, patented or otherwise, that may in any way be related to or disclosed by said drawings, specifications, or other data.	FINISH	APPROVED S. HSIEH	DATE 06-Jul-16	SCALE: 10.0:1.0 SHEET 2 OF 2	ITEM NO. 919-385J-51S
		CAD FILE			DWG SIZE B REV A