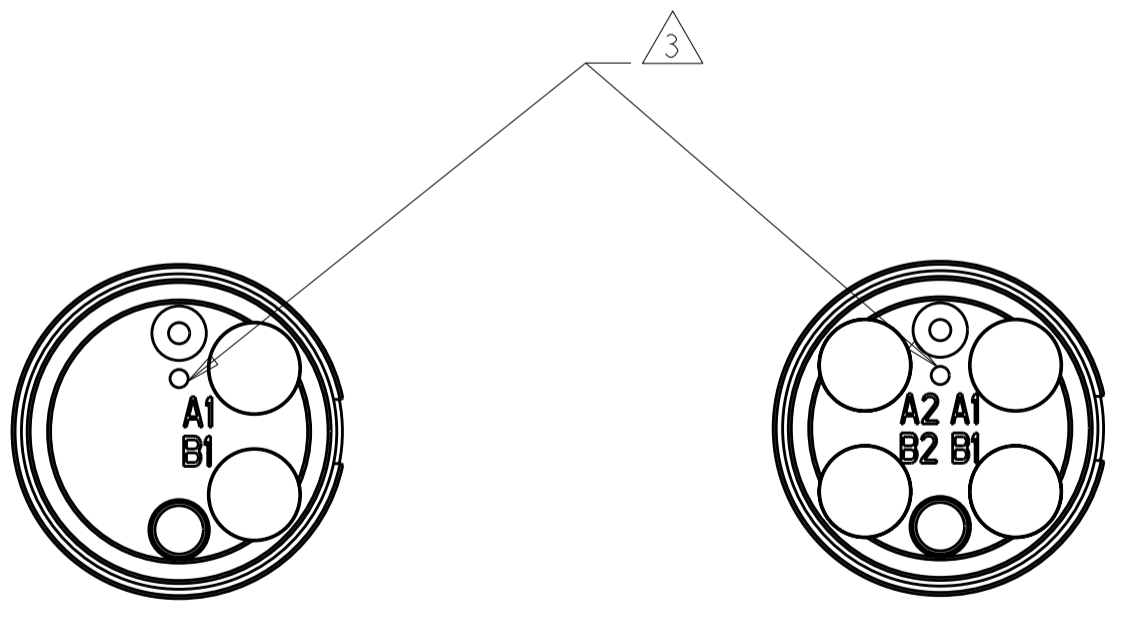
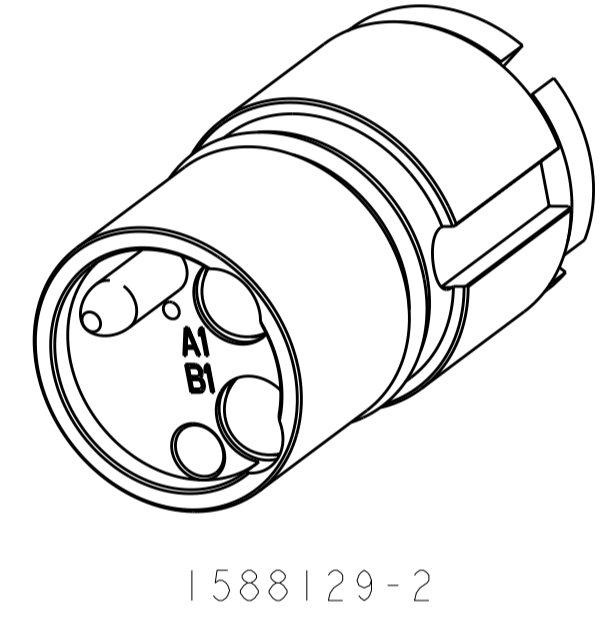
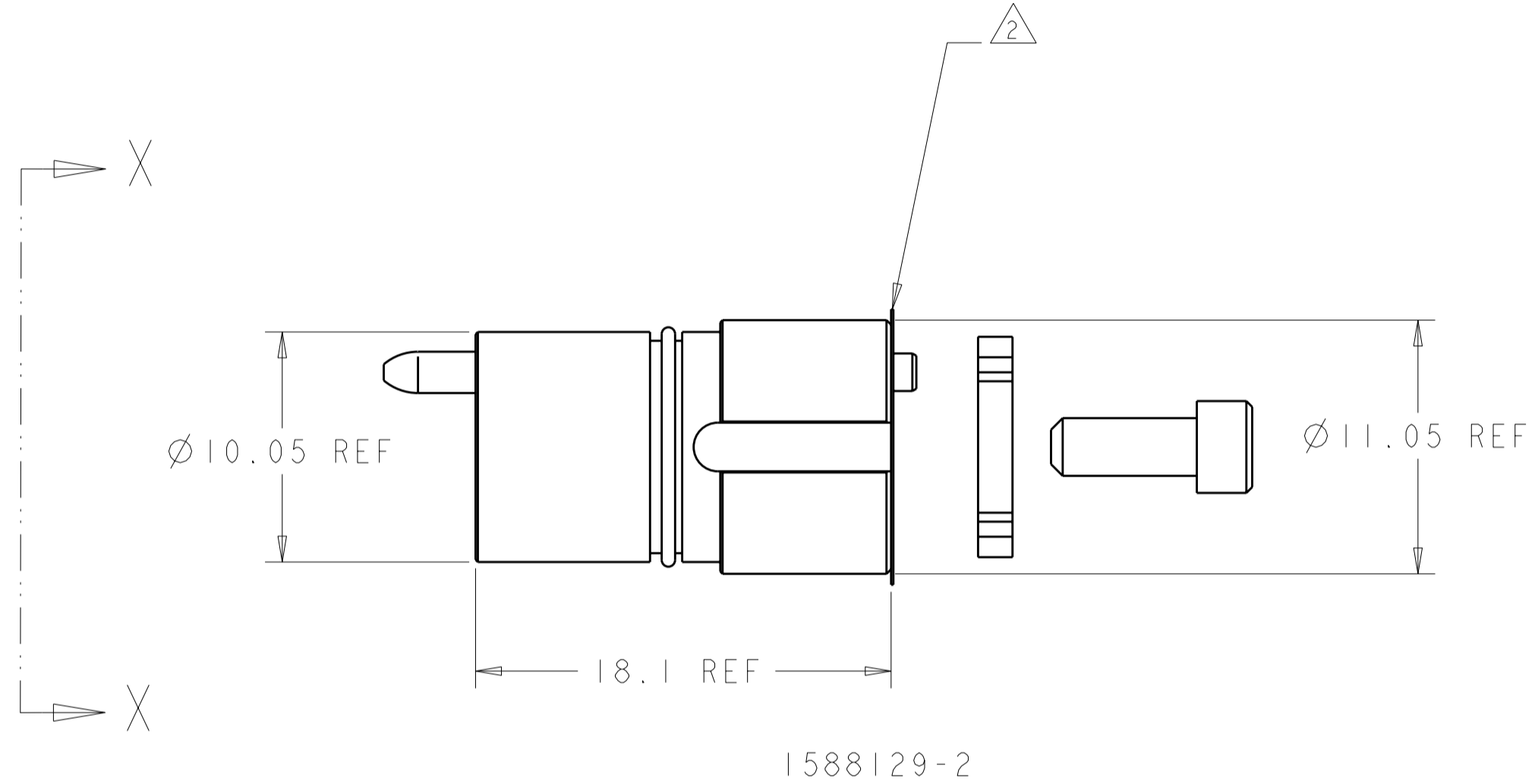


THIS DRAWING IS UNPUBLISHED. RELEASED FOR PUBLICATION 20  
 © COPYRIGHT 20 BY TYCO ELECTRONICS CORPORATION. ALL RIGHTS RESERVED.

LOC	DIST	REVISIONS			
P	LTR	DESCRIPTION	DATE	DWN	APVD
CE	16	E1	ECR-09-024182	05NOV2009	KG DW

**NOTES:**

1. THIS PRODUCT HAS NOT COMPLETED VALIDATION TESTING.
2. PROTECTIVE LABEL APPLIED AFTER FINAL CLEAN ROOM TEST TO PREVENT OPTICAL CAVITY CONTAMINATION. REMOVE ONLY WHEN READY TO ASSEMBLE.
3. SINGLEMODE IDENTIFIER
4. FOR USE WITH JACKETED CABLE FERRULE ASSEMBLY P/N 1754456-1, 125um, OR 1754456-2, 126um. ONE PER FIBER; PC-POLISH.
5. FOR USE WITH FERRULE ASSEMBLY KIT P/N 1754700-1, 125um, OR 1754700-2, 126um. ONE PER FIBER; PC-POLISH.



1588129-2/-4      1588129-3/-5  
 VIEW X-X  
 (SHOWN WITHOUT PROTECTIVE LABEL)

4	4 CHANNEL, 1310nm SM	1588129-5
4	2 CHANNEL, 1310nm SM	1588129-4
5	4 CHANNEL, 1310nm SM	1588129-3
5	2 CHANNEL, 1310nm SM	1588129-2
5	1 CHANNEL, 1310nm SM	1588129-1
5	<b>OBSOLETE</b>	
DESCRIPTION		PART NUMBER

THIS DRAWING IS A CONTROLLED DOCUMENT FOR TYCO ELECTRONICS CORPORATION. IT IS SUBJECT TO CHANGE AND THE CONTROLLING ENGINEERING ORGANIZATION SHOULD BE CONTACTED FOR THE LATEST REVISION.		DWN K. GLATFELTER 16 APR 2004	Tyco Electronics Harrisburg, PA 17105-3608	
DIMENSIONS: mm		CHK D. WERTMAN 07 JUN 2004	NAME INSERT ASSEMBLY, MINI EB, 1310nm SM	
TOLERANCES UNLESS OTHERWISE SPECIFIED: 0 PLC ± 1 PLC ± 2 PLC ± 3 PLC ± 4 PLC ± ANGLES ± FINISH		APVD D. WERTMAN 07 JUN 2004	PRODUCT SPEC - APPLICATION SPEC -	
MATERIAL STAINLESS ALLOYS & NBR		WEIGHT -	SIZE A2	RESTRICTED TO -
N/A		CUSTOMER DRAWING	CAGE CODE 00779	DRAWING NO 1588129
		SCALE 4:1	SHEET 1	REV E1