

LOC DW

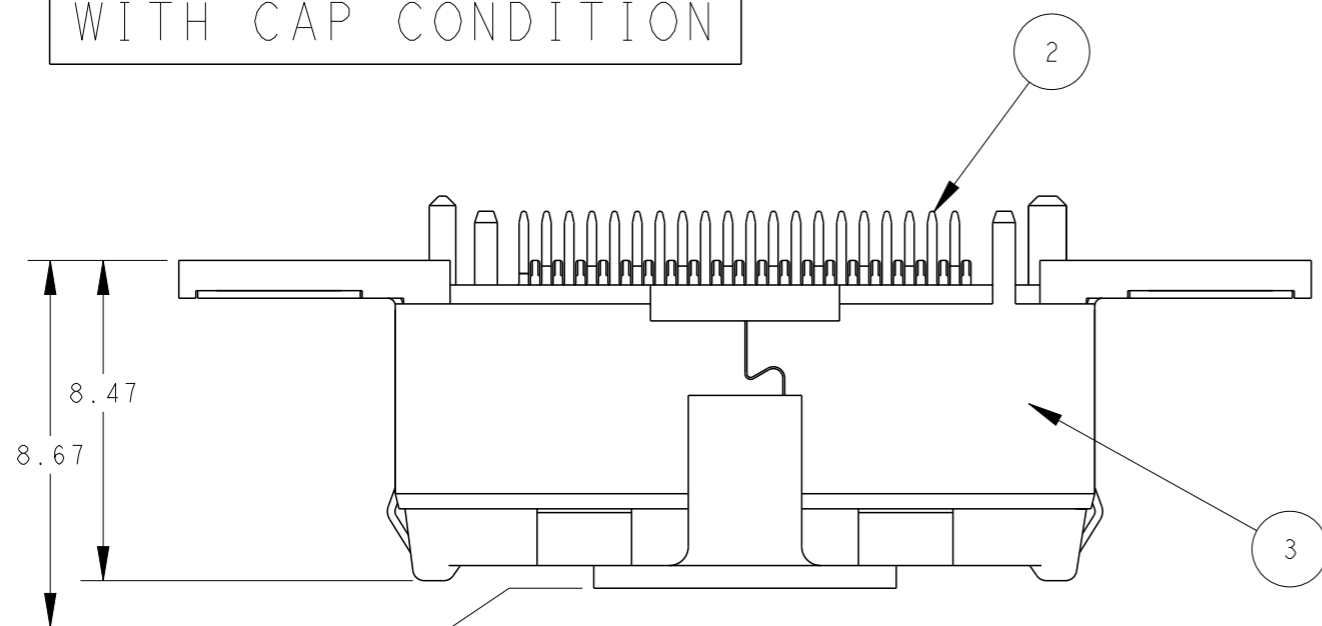
DIST

REVISIONS

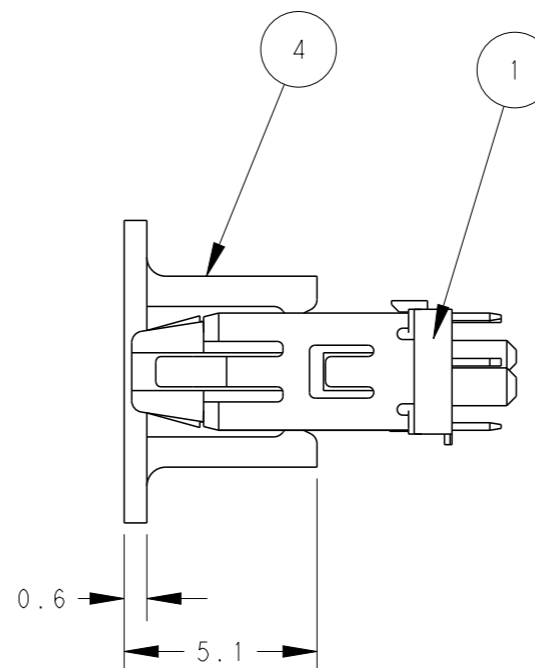
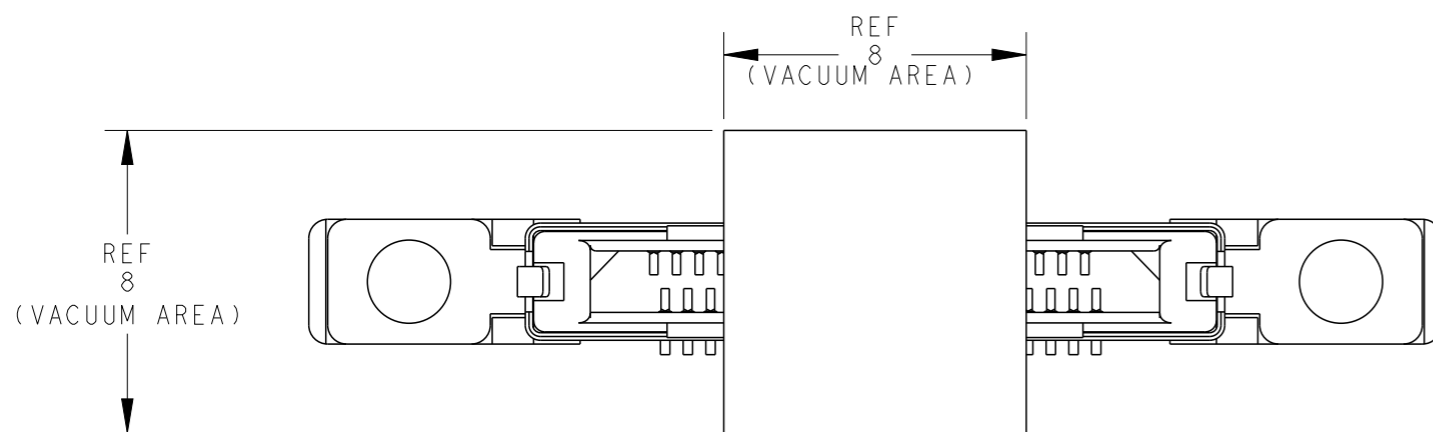
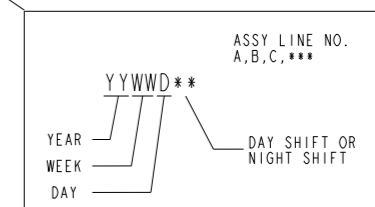
P	LTR	DESCRIPTION	DATE	DWN	APVD
	A	RELEASED	01APR11	P.H	H.K

WITH CAP CONDITION

2129327-1; AS SHOWN



- ① MATERIAL: HOUSING: THERMO-PLASTIC(UL94V-0,BLACK).
CONTACT: COPPER ALLOY.
SHELL: COPPER ALLOY.
CAP: THERMO-PLASTIC(UL94V-0,BLACK).
- ② FINISH:
CONTACT: ALL OVER 2um MIN. Ni UNDER PLATING.
0.38um MIN. Au PLATING ON CONTACT AREA.
1~3um Tin PLATING ON TINE AREA.
SHELL: ALL OVER 1.3um MIN. Ni UNDER PLATING.
- ③ DATE CODE



Q'TY	NAME	ITEM
1	CAP	④
1	SHELL	③
40	CONTACT	②
1	HOUSING	①

THIS DRAWING IS A CONTROLLED DOCUMENT.

DIMENSIONS:	TOLERANCES UNLESS OTHERWISE SPECIFIED:
mm	
① PLC	±
② PLC	±
③ PLC	± 0.25
④ PLC	±
ANGLES	±3°
MATERIAL ①	FINISH ②

DWN	P.HSU	01APR2011
CHK	W.CHEN	01APR2011
APVD	H.KODAMA	01APR2011
PRODUCT SPEC	-	
APPLICATION SPEC	-	
WEIGHT	1.14	
CUSTOMER DRAWING		



PLUG ASSY, 0.6mm PITCH
CHAMP DOCKING CONNECTOR, 40POS

SIZE	CAGE CODE	DRAWING NO	RESTRICTED TO
A3	00779	C-2129327	-
SCALE 5:1		SHEET 1 OF 5	REV A

LOC
DW

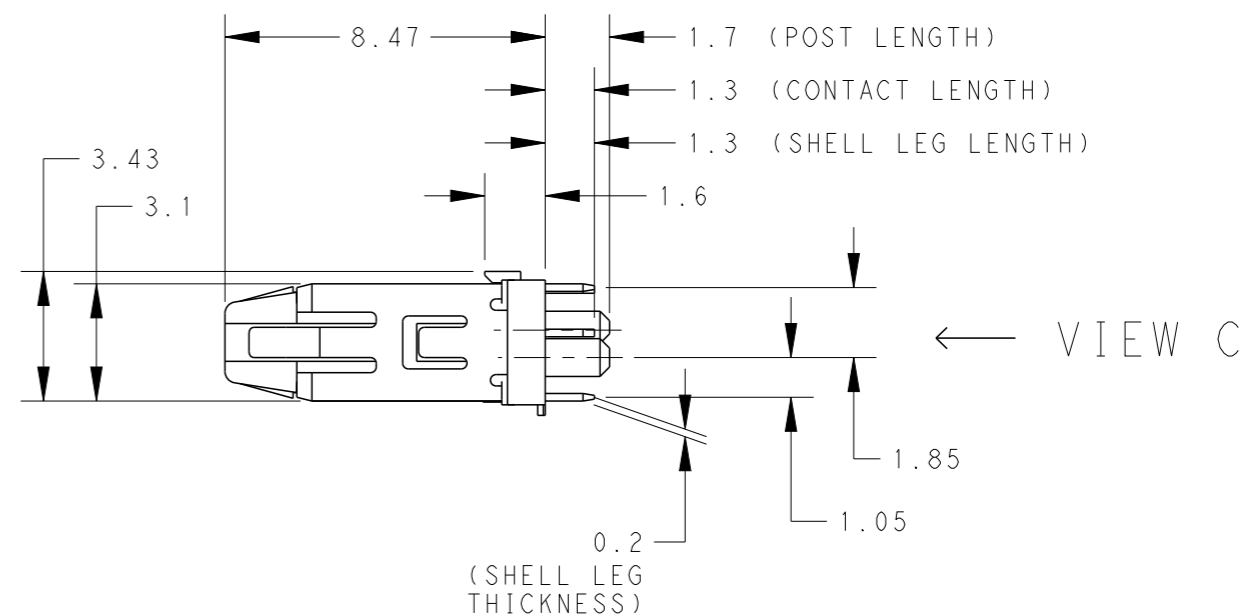
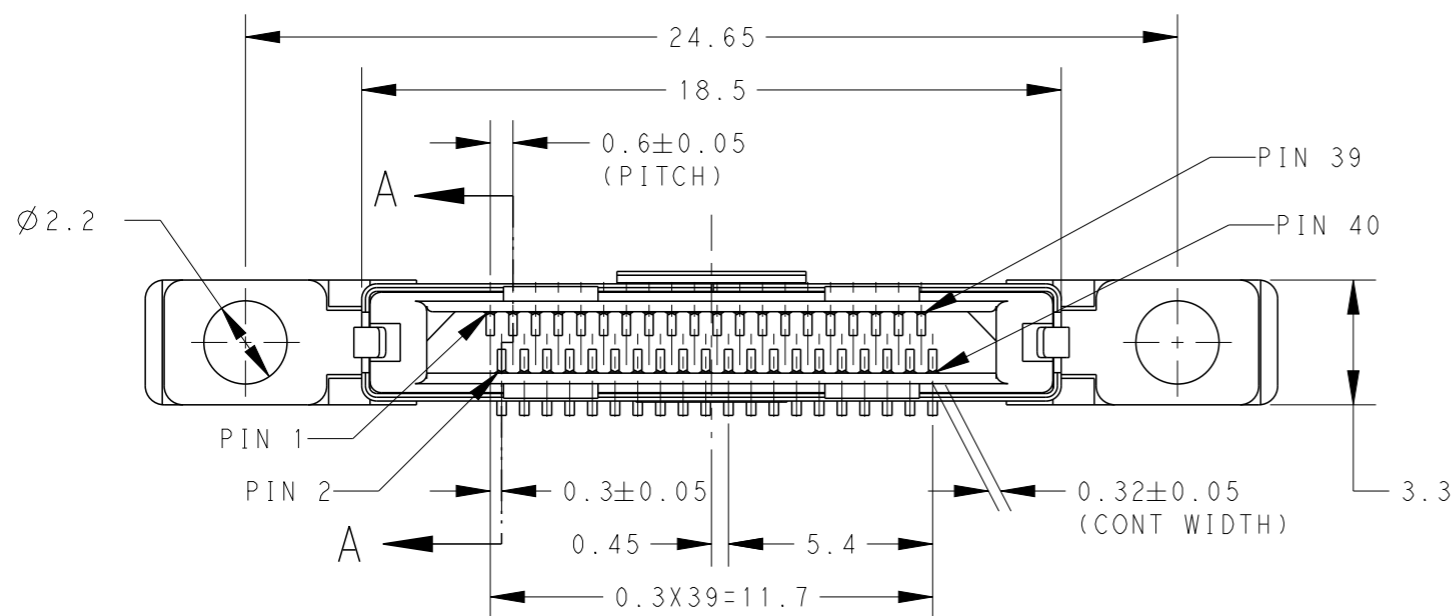
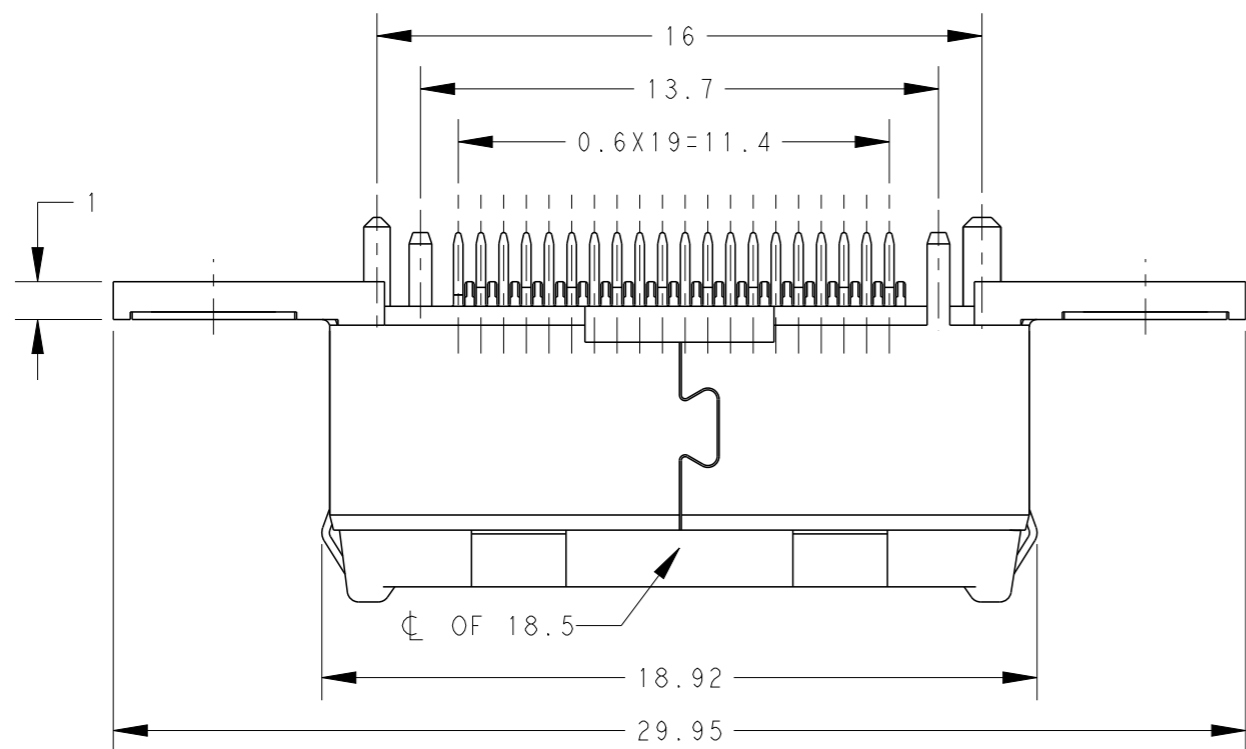
DIST

REVISIONS


P	LTR	DESCRIPTION	DATE	DWN	APVD
-	-	SEE SHEET 1	-	-	-

2129327-1; AS SHOWN

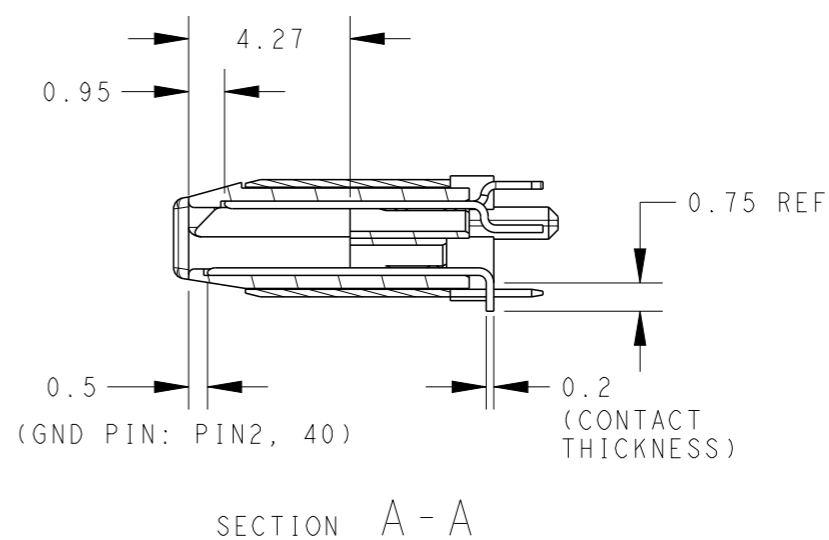
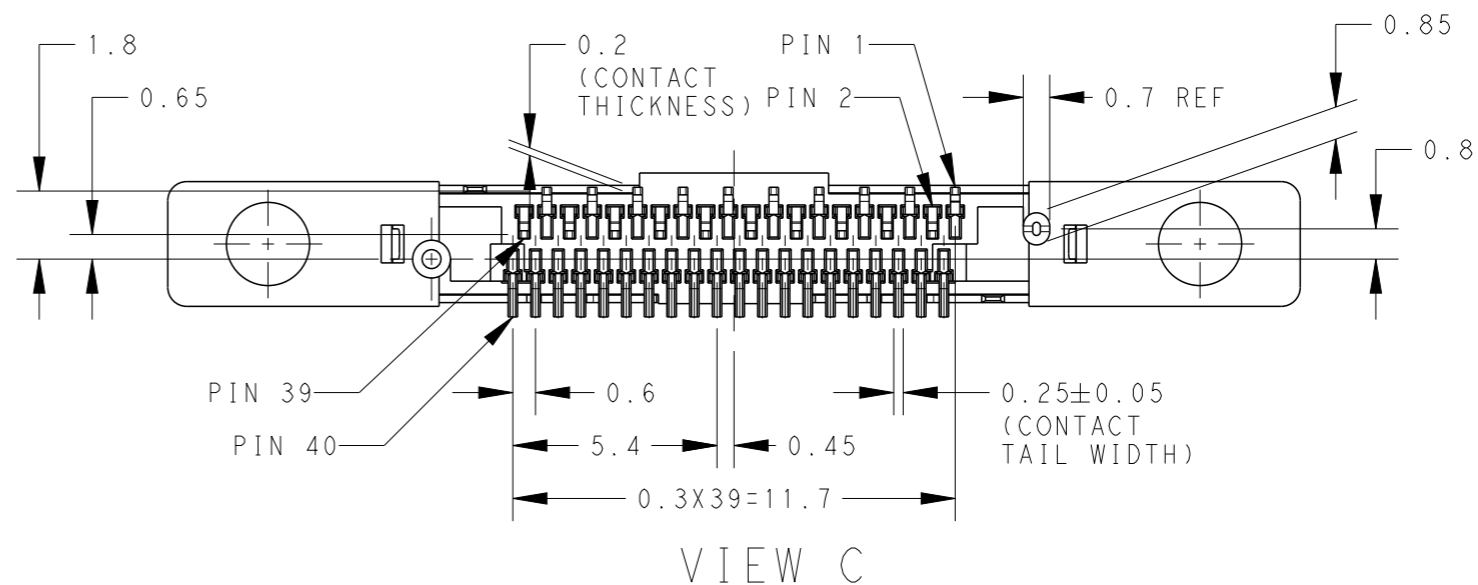
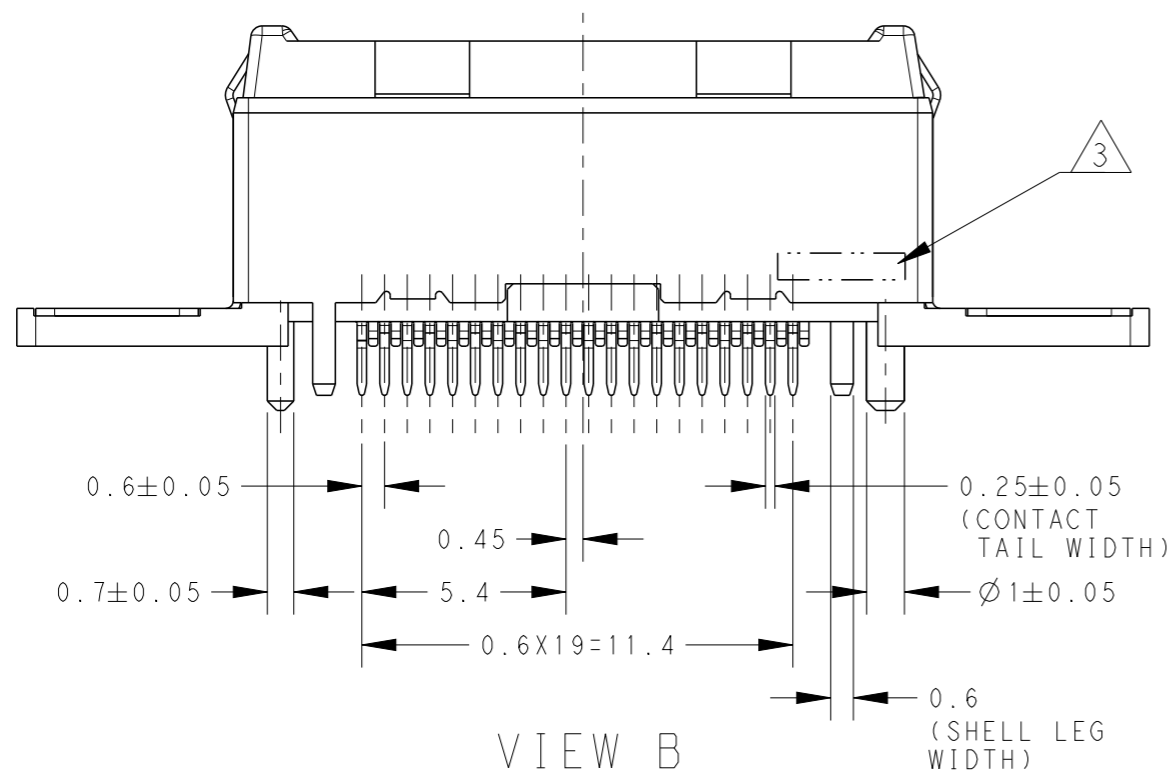
W/O CAP CONDITION




VIEW B

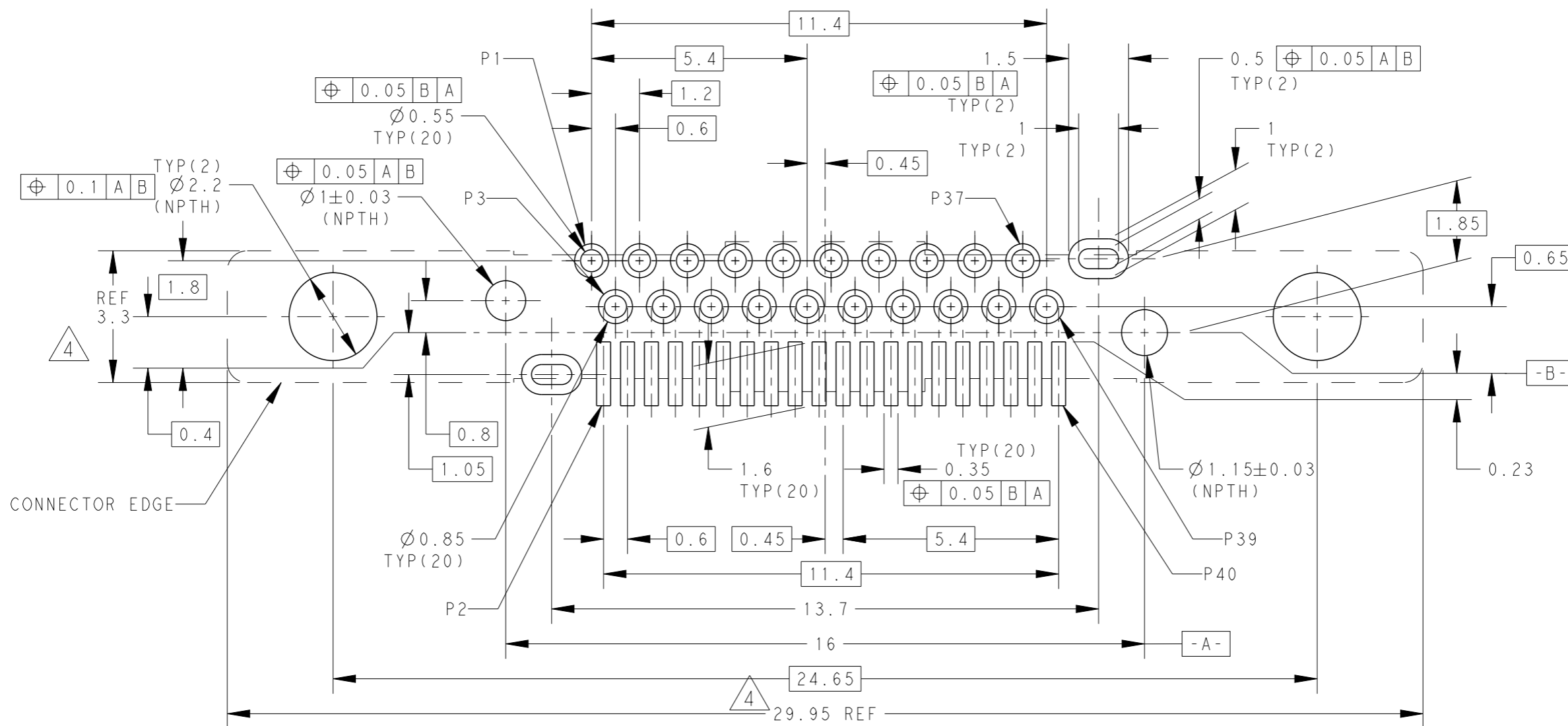
THIS DRAWING IS A CONTROLLED DOCUMENT.		DWN	-	 TE Connectivity	NAME PLUG ASSY, 0.6mm PITCH CHAMP DOCKING CONNECTOR, 40POS
DIMENSIONS:	TOLERANCES UNLESS OTHERWISE SPECIFIED:	CHK	-		
mm	0 PLC ± 1 PLC ± 2 PLC ± ±0.25 3 PLC ± 4 PLC ± ANGLES ±3° FINISH -	APVD	-		
MATERIAL	-	PRODUCT SPEC	-		
		APPLICATION SPEC	-	SIZE	A3
		WEIGHT	-	CAGE CODE	00779
		CUSTOMER DRAWING	-	DRAWING NO	2129327
		SCALE	5:1	RESTRICTED TO	-
		SHEET	2 OF 5	REV	A

P	LTR	DESCRIPTION	DATE	DWN	APVD
-	-	SEE SHEET 1	-	-	-



THIS DRAWING IS A CONTROLLED DOCUMENT.		DWN	 TE Connectivity			
DIMENSIONS: mm		CHK				
TOLERANCES UNLESS OTHERWISE SPECIFIED:		APVD				
0 PLC ± 1 PLC ± 2 PLC ± ±0.25 3 PLC ± 4 PLC ± ANGLES ±3° FINISH -		PRODUCT SPEC				
MATERIAL -		APPLICATION SPEC	NAME PLUG ASSY, 0.6mm PITCH CHAMP DOCKING CONNECTOR, 40POS			
		WEIGHT	SIZE	CAGE CODE	DRAWING NO	RESTRICTED TO
		CUSTOMER DRAWING	A3	00779	C-2129327	-
		SCALE	SHEET		OF	REV
		5:1	3		5	A

P	LTR	DESCRIPTION	DATE	DWN	APVD
-	-	SEE SHEET 1	-	-	-

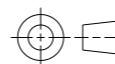


REFERENCE P.C. BOARD LAYOUT (TOP VIEW)

△ CONNECTOR OUTLINE

THIS DRAWING IS A CONTROLLED DOCUMENT.

DIMENSIONS:
mm



TOLERANCES UNLESS OTHERWISE SPECIFIED:

- 0 PLC ±
- 1 PLC ±
- 2 PLC ± ± 0.05
- 3 PLC ±
- 4 PLC ±
- ANGLES ±3°
- FINISH -

MATERIAL -

DWN	-
CHK	-
APVD	-
PRODUCT SPEC	-
APPLICATION SPEC	-
WEIGHT	-
CUSTOMER DRAWING	-



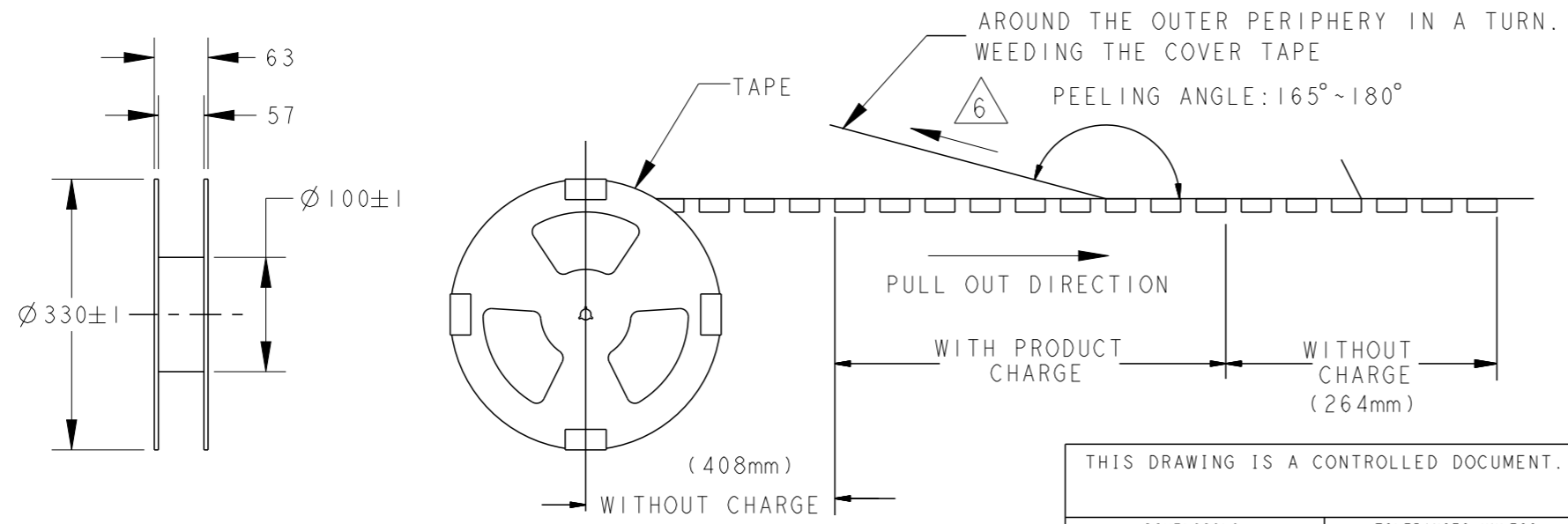
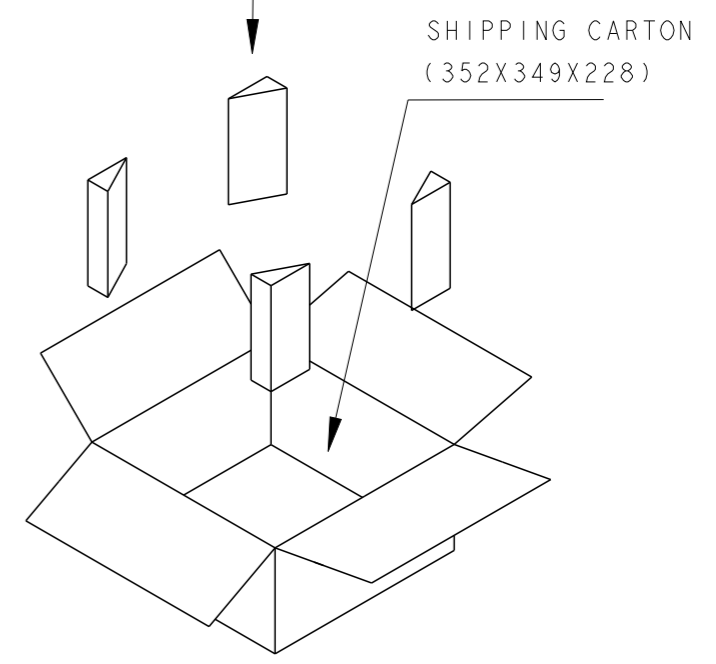
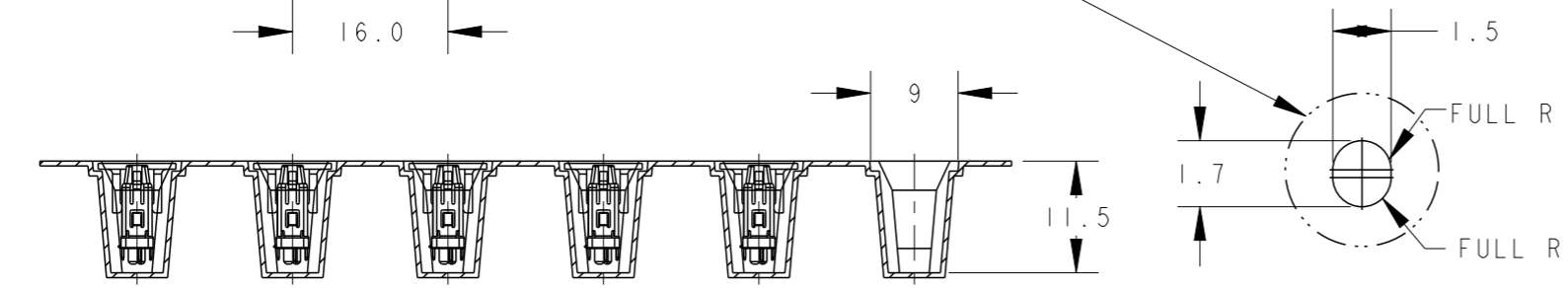
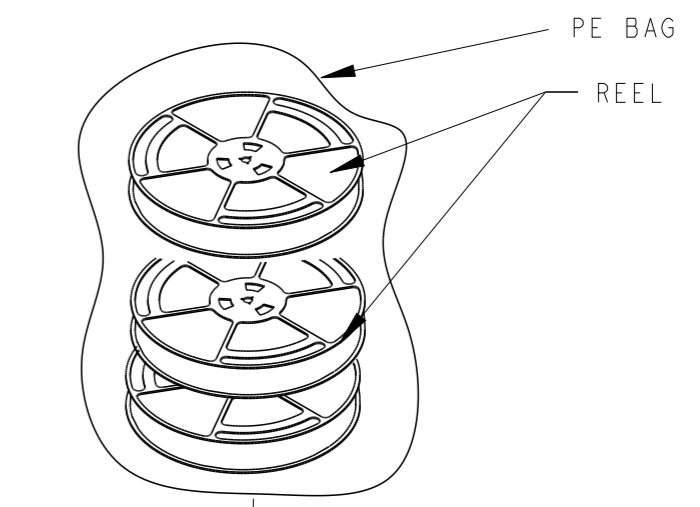
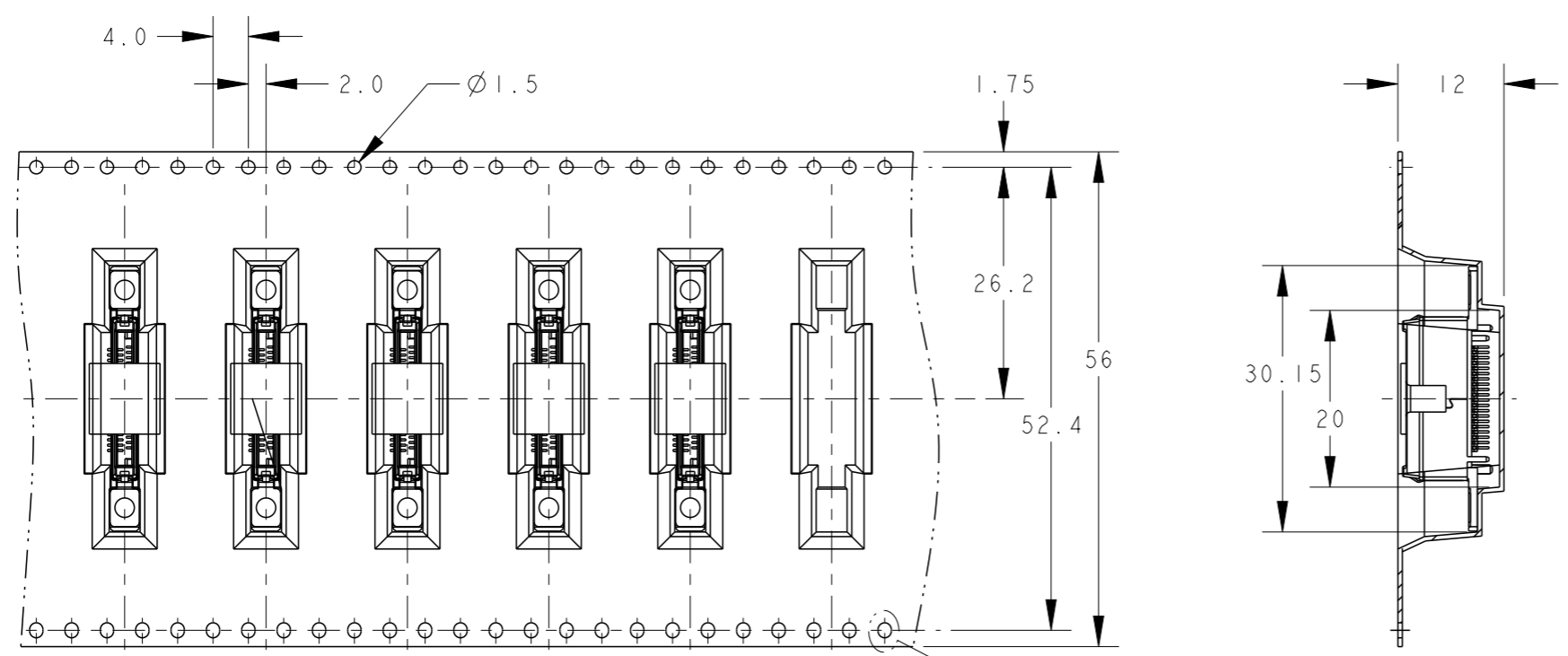
TE Connectivity

NAME
PLUG ASSY, 0.6mm PITCH
CHAMP DOCKING CONNECTOR, 40POS

SIZE	CAGE CODE	DRAWING NO	RESTRICTED TO
A3	00779	C-2129327	-

THIS DRAWING IS UNPUBLISHED. RELEASED FOR PUBLICATION 20
 © COPYRIGHT 20 BY - ALL RIGHTS RESERVED.

LOC		DIST		REVISIONS					
DW				P	LTR	DESCRIPTION	DATE	DWN	APVD
				-		SEE SHEET 1	-	-	-



5. PACKING MATERIAL:
 CARRY TAPE: PS; COLOR:BLACK.
 COVER TAPE: PET; COLOR: CLEAR.
 PEELING STRENGTH OF COVER TAPE: 0.2N~1.2N

300	3	900
PCS/ TAPE	REELS/ CARTON	TOTAL QUANTITY

THIS DRAWING IS A CONTROLLED DOCUMENT.		DWN	-	STE TE Connectivity
DIMENSIONS: mm		CHK	-	
TOLERANCES UNLESS OTHERWISE SPECIFIED:		APVD	-	
Ø PLC ± 1 PLC ± 2 PLC ± ±0.5 3 PLC ± 4 PLC ± ANGLES ±3° MATERIAL FINISH -		PRODUCT SPEC	-	
		APPLICATION SPEC	-	NAME PLUG ASSY, 0.6mm PITCH CHAMP DOCKING CONNECTOR, 40POS
		WEIGHT	-	SIZE A3
		CUSTOMER DRAWING	-	CAGE CODE 00779
				DRAWING NO C-2129327
				RESTRICTED TO
				SCALE 5:1 SHEET 5 OF 5 REV A