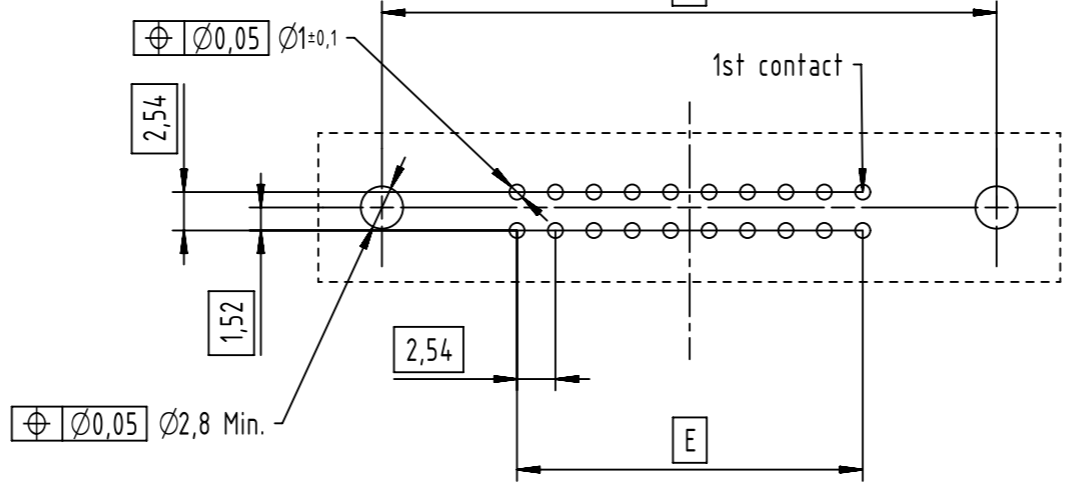
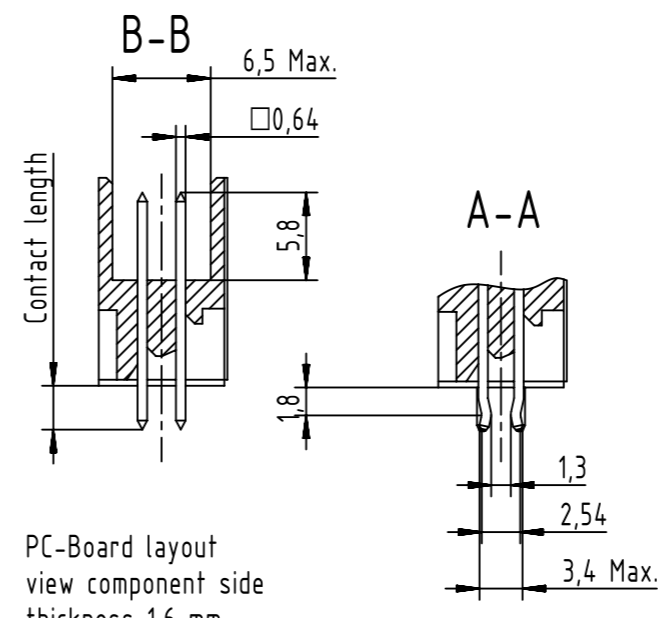
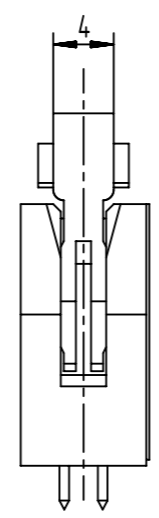
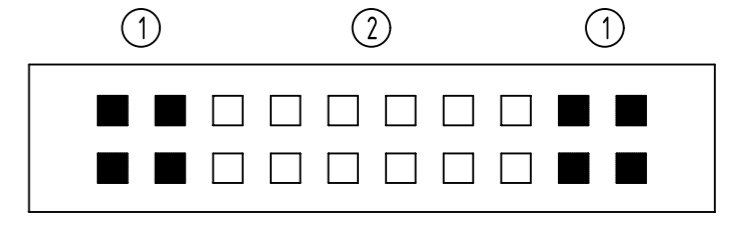


See table for coding feature arrangement and style



Coding style table	
	Style A: For connector 6 poles
	Style B: For connectors from 10 to 14 poles
	Style C: For connectors from 16 to 64 poles



□ Straight contact  
■ Kinked contact

① Kinked pins	
PCB thickness from 1,50 to 1,94 mm after Cu+Sn plating with non remelted plated through holes Ø0,85 to Ø1,05 mm Maximum insertion force =125 N Minimum retention force = 3 N	
② Non kinked pins	
Solder pins for PCB connections Ø1+/-0,1 according to IEC 60603-13	

-Find further technical information on drawings:  
DS 09181200001 for 09185xxx014  
DS 09191230202 for 09195xxx014

All Dimensions in mm Original Size DIN A3		Scale 2:1	Free size tol.		Ref.
All rights reserved Department EC PD - FR		Created by DOUGE	Inspected by BAGDIKIAN	Standardisation HOFFMANN	Date 2013-11-07
HARTING Electronics GmbH D-32339 Espelkamp		Title SEK male straight with kinked pins and short levers			State Final Release
		Type TB	Number 091X5XXX014		Doc-Key / ECM-Nr. 100553519/UGD/001/A 50000067147
					Rev. A
					Page 1/2

Performance Level				Dimensions (mm)						
	PL3 : 50 mating Cycles No Gas Test	PL2 : 250 mating Cycles 4 day Gas Test	S4 : 0,76µm Au or equivalent PdNi							
Nb of Contacts	Part Number	Part Number	Part Number	Solder process	Contact Length ±0,3(mm)	A Max	C	D	E	F
06	0918 506 7014	0918 506 6014	0918 506 5014	wave Soldering	2,9	27,2	22,86	12,45	2,54 x 2 = 5,08	36,9
10	0918 510 7014	0918 510 6014	0918 510 5014			32,3	27,94	17,53	2,54 x 4 = 10,16	42,0
14	0918 514 7014	0918 514 6014	0918 514 5014			37,4	33,02	22,61	2,54 x 6 = 15,24	47,1
16	0918 516 7014	0918 516 6014	0918 516 5014			39,9	35,56	25,15	2,54 x 7 = 17,78	49,6
20	0918 520 7014	0918 520 6014	0918 520 5014			45,0	40,64	30,23	2,54 x 9 = 22,86	54,7
24	0918 524 7014	0918 524 6014	0918 524 5014			50,1	45,72	35,91	2,54 x 11 = 27,94	59,8
26	0918 526 7014	0918 526 6014	0918 526 5014			52,6	48,26	37,85	2,54 x 12 = 30,48	62,3
30	0918 530 7014	0918 530 6014	0918 530 5014			58,0	53,34	43,83	2,54 x 14 = 35,56	68,2
34	0918 534 7014	0918 534 6014	0918 534 5014			62,8	58,42	48,01	2,54 x 16 = 40,64	72,5
40	0918 540 7014	0918 540 6014	0918 540 5014			70,4	66,04	55,63	2,54 x 19 = 48,26	80,1
50	0918 550 7014	0918 550 6014	0918 550 5014			83,1	78,74	68,33	2,54 x 24 = 60,96	92,8
60	0918 560 7014	0918 560 6014	0918 560 5014			95,8	91,44	81,03	2,54 x 29 = 73,66	105,5
64	0918 564 7014	0918 564 6014	0918 564 5014			100,9	96,52	86,11	2,54 x 31 = 78,74	110,6
06	0919 506 7014	0919 506 6014	0919 506 5014	Wave & Reflow Soldering	2,9	27,2	22,86	12,45	2,54 x 2 = 5,08	36,9
10	0919 510 7014	0919 510 6014	0919 510 5014			32,3	27,94	17,53	2,54 x 4 = 10,16	42,0
14	0919 514 7014	0919 514 6014	0919 514 5014			37,4	33,02	22,61	2,54 x 6 = 15,24	47,1
16	0919 516 7014	0919 516 6014	0919 516 5014			39,9	35,56	25,15	2,54 x 7 = 17,78	49,6
20	0919 520 7014	0919 520 6014	0919 520 5014			45,0	40,64	30,23	2,54 x 9 = 22,86	54,7
24	0919 524 7014	0919 524 6014	0919 524 5014			50,1	45,72	35,91	2,54 x 11 = 27,94	59,8
26	0919 526 7014	0919 526 6014	0919 526 5014			52,6	48,26	37,85	2,54 x 12 = 30,48	62,3
30	0919 530 7014	0919 530 6014	0919 530 5014			58,0	53,34	43,83	2,54 x 14 = 35,56	68,2
34	0919 534 7014	0919 534 6014	0919 534 5014			62,8	58,42	48,01	2,54 x 16 = 40,64	72,5
40	0919 540 7014	0919 540 6014	0919 540 5014			70,4	66,04	55,63	2,54 x 19 = 48,26	80,1
50	0919 550 7014	0919 550 6014	0919 550 5014			83,1	78,74	68,33	2,54 x 24 = 60,96	92,8
60	0919 560 7014	0919 560 6014	0919 560 5014			95,8	91,44	81,03	2,54 x 29 = 73,66	105,5
64	0919 564 7014	0919 564 6014	0919 564 5014			100,9	96,52	86,11	2,54 x 31 = 78,74	110,6

	All rights reserved	Created by	Inspected by	Standardisation	Date	State	
	Department EC PD - FR	DOUGE	BAGDIKIAN	HOFFMANN	2013-11-07	Final Release	
HARTING Electronics GmbH D-32339 Espelkamp		Title SEK male straight with kinked pins and short levers				Doc-Key / ECM-Nr. 100553519/UGD/001/A 50000067147	
		Type	Number		Rev.	Page	
		TB	091X5XXX014		A	2/2	