



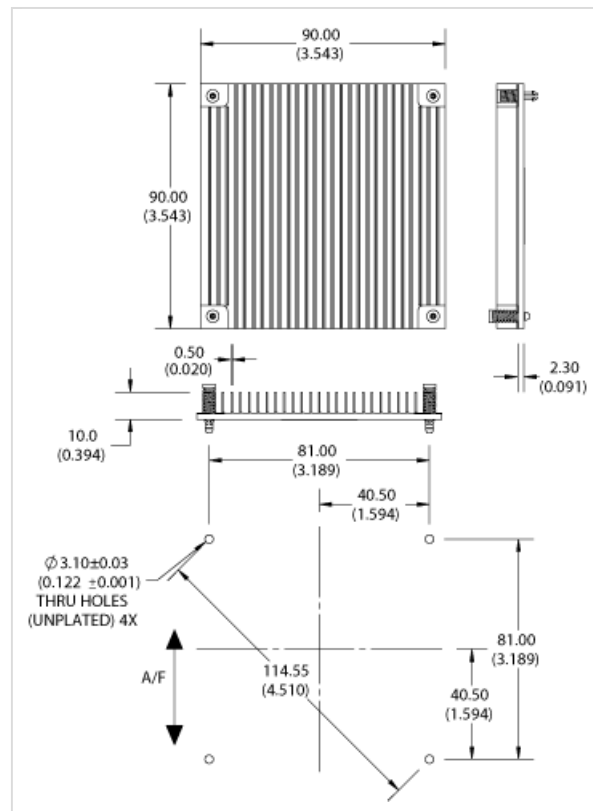
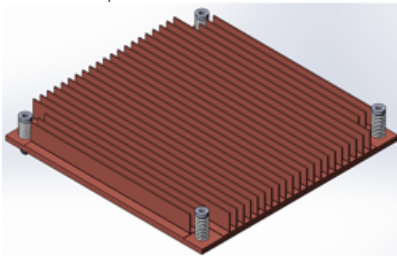
Aavid - The worldwide leader in thermal management solutions

» FPGA / BGA Heat Sinks

342950

SQUARE HEATSINK WITH PUSH PIN ATTACHMENT

RoHS: compliant



Width: 90.00

Length: 90.00

Height: 10.00

Base Thickness: 2.30

Fin Thickness: Length , Width 0.50

of Fins: Length , Width 27

Fin Tip to Tip:

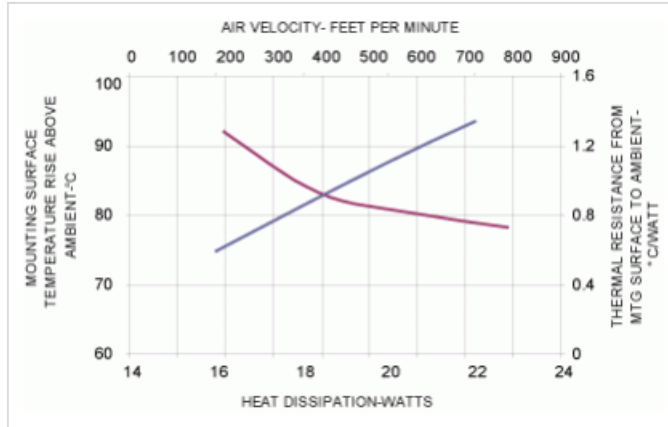
Finish: AavSHIELD 3C

Thermal Performance

Natural Convection: 4.48

Forced convection: 1.28

Thermal Curve:



Customer Assistance

- Contact Us
- Get Design Assistance
- Find a Distributor
- Find a Sales Rep
- Request a Quote
- Placing an Order
- Terms and Conditions
- Returns

Popular Products

- Fans
- Extrusions
- Board Level
- Liquid Cooling
- Heat Pipe Technology
- Heat Sink Accessories
- Interface Materials

Our Company

- News and Events
- Management Team
- Worldwide Locations
- Disclaimer
- Customer Survey
- Privacy Policy
- Careers

Connect

Like / Follow



© Copyright 2016