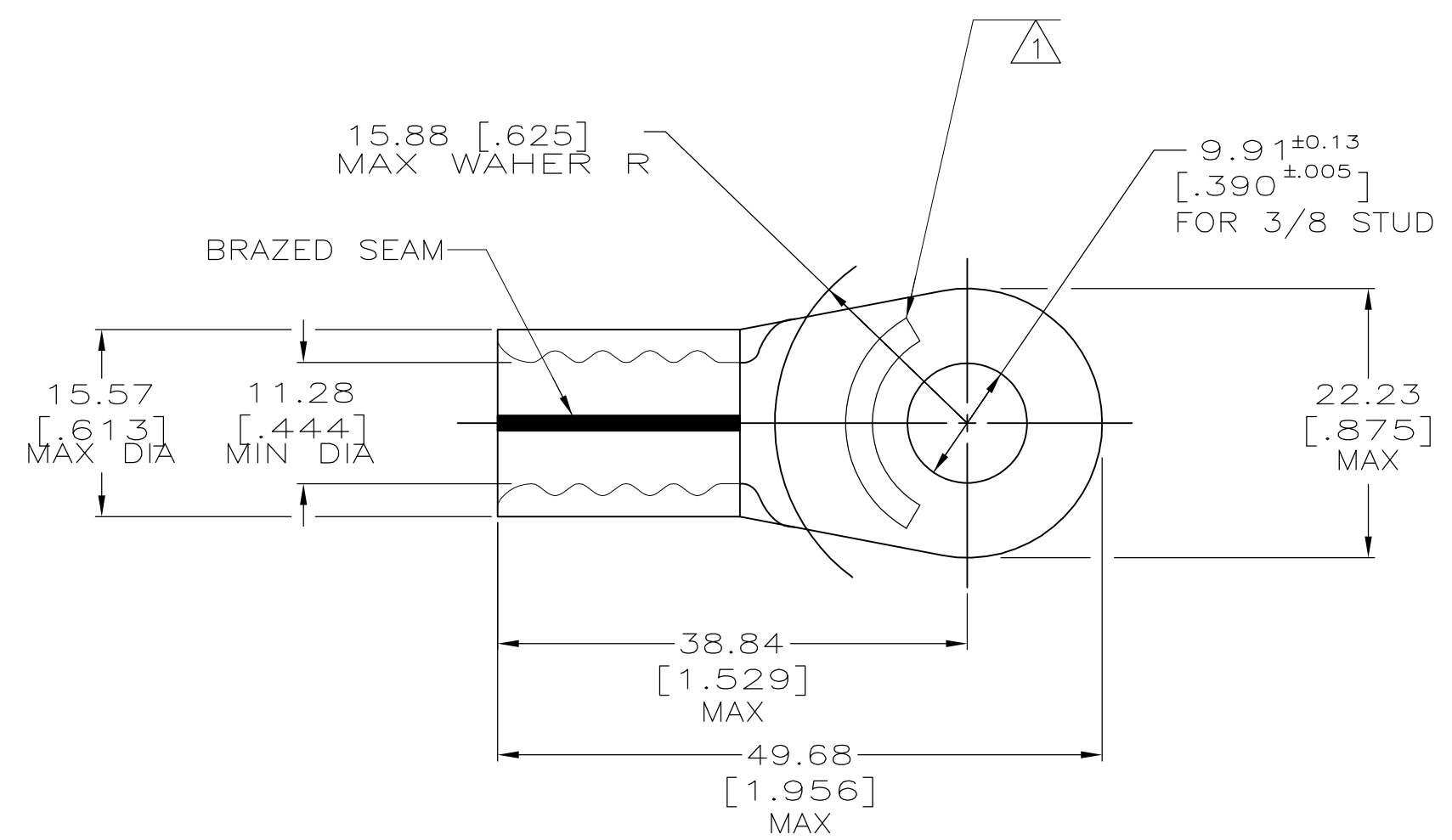


THIS DRAWING IS UNPUBLISHED. RELEASED FOR PUBLICATION  
 © COPYRIGHT - By - ALL RIGHTS RESERVED.

LOC	DIST	REVISIONS			DATE	OWN	APVD
G	14	P	LTR	DESCRIPTION	11MAR11	RK	HMR
		L3		REVISED PER ECO-11-004917			

AMP PART NO	MATERIAL	PKG TYPE	QTY
8-36917-3	M/F 8-36917-0	BOX	25
8-36917-5	M/F 8-36917-0	BAG	5

<b>AMP</b> WIRE RANGE	Listed FILE E13288	LR7189 Certified
1/0 AWG STRANDED	1/0 AWG STRANDED	1/0 AWG STRANDED



- △ 1 STAMP AMP 1/0W\* APPROX AS SHOWN
- 2 MATERIAL THK: 1.78 ±0.08 [.070 ±0.003]
- △ 3 0.00254 [.000100] MIN TIN PLATE PER ASTM B-545

<b>AMP INCORPORATED CUSTOMER SERVICE SYSTEMS</b>		MAX RECOMMENDED OPERATING TEMPERATURE: 170° C MAX
FOR ADDITIONAL PRODUCT INFORMATION OR COPIES OF DRAWINGS AND TECHNICAL DOCUMENTS	PRODUCT INFORMATION CENTER 1-800-522-6752	VOLTAGE RATING: N/A
FOR APPLICATION TOOLING INFORMATION	TOOLING ASSISTANCE CENTER 1-800-722-1111	CIRCULAR MIL AREA: 42.4-60.6mm <sup>2</sup> [83,700-119,500] SOLID OR STRANDED
FOR ORDER ENTRY	1-800-526-5142	THIS DRAWING IS A CONTROLLED DOCUMENT FOR AMP INCORPORATED. IT IS SUBJECT TO CHANGE AND THE CONTROLLING ENGINEERING ORGANIZATION SHOULD BE CONTACTED FOR THE LATEST REVISION.

36917  
PART NO.

THIS DRAWING IS A CONTROLLED DOCUMENT.		DWN DK SCHRUM 7/21/91	TE Connectivity											
DIMENSIONS: mm[INCHES]		CHK RD HEIM 8/15/91												
TOLERANCES UNLESS OTHERWISE SPECIFIED:		APVD AJ KAUFFMAN 8/15/91												
<table border="1"> <tr><td>0 PLC</td><td>± -</td></tr> <tr><td>1 PLC</td><td>± -</td></tr> <tr><td>2 PLC</td><td>± 0.20[.008]</td></tr> <tr><td>3 PLC</td><td>± -</td></tr> <tr><td>4 PLC</td><td>± -</td></tr> <tr><td>ANGLES</td><td>± ± -</td></tr> </table>		0 PLC		± -	1 PLC	± -	2 PLC	± 0.20[.008]	3 PLC	± -	4 PLC	± -	ANGLES	± ± -
0 PLC	± -													
1 PLC	± -													
2 PLC	± 0.20[.008]													
3 PLC	± -													
4 PLC	± -													
ANGLES	± ± -													
MATERIAL COPPER ASTM B-152 ANNEALED	FINISH △ 3	PRODUCT SPEC APPLICATION SPEC WEIGHT -	RESTRICTED TO -											
CUSTOMER DRAWING		SIZE A2 CAGE CODE 00779 DRAWING NO G-36917	SCALE 2:1 SHEET 1 OF 1 REV L3											