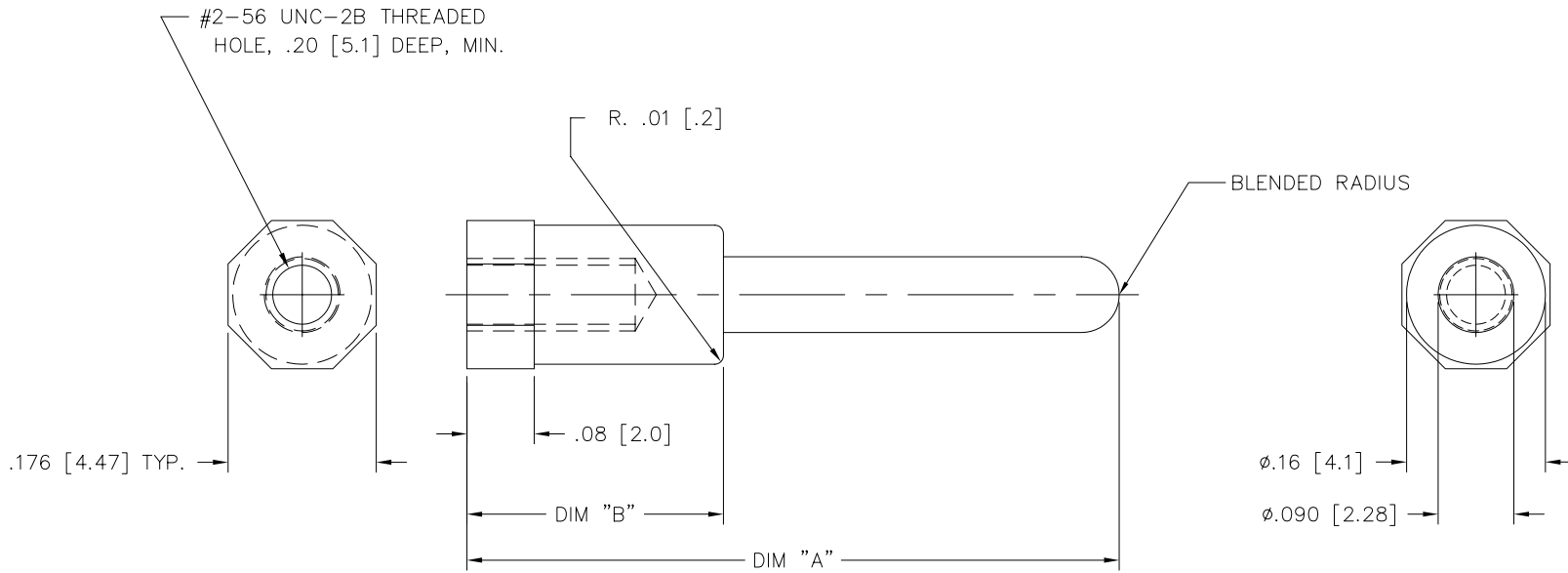


PRODUCT NUMBER	DIM "A"	DIM "B"	APPLICATION
78628-001	.860 [21.84]	.300 [7.62]	E.S.D., SEE SHT. 4
78628-001LF	.860 [21.84]	.300 [7.62]	E.S.D., SEE SHT. 4
78628-002	.775 [19.68]	.380 [9.65]	MECH., SEE SHT. 2&3
78628-002LF	.775 [19.68]	.380 [9.65]	MECH., SEE SHT. 2&3

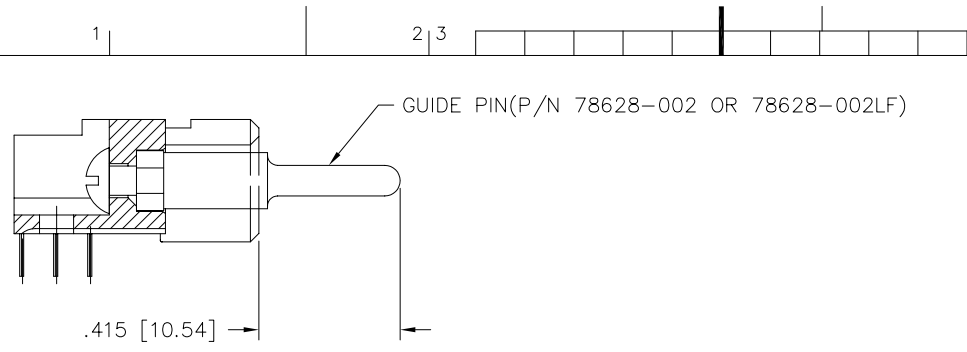


NOTES:

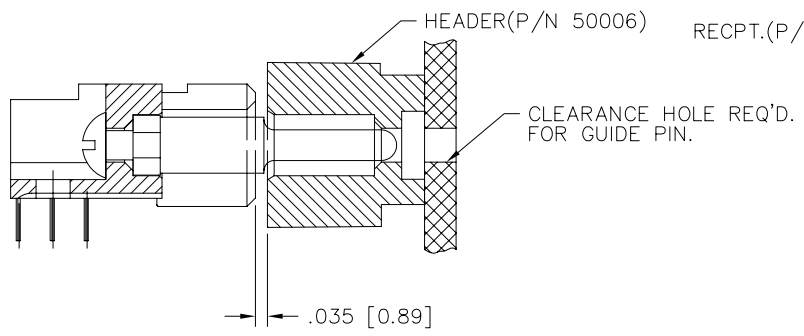
- ① MATERIAL: AISI 416 STAINLESS STEEL.
- THIS PRODUCT WITH AN LF SUFFIX MEETS EUROPEAN UNION DIRECTIVES AND OTHER COUNTRY REGULATIONS AS DESCRIBED IN GS-22-008.
- THIS PRODUCT IS NOT INTENDED TO BE EXPOSED TO MANUFACTURING SOLDER PROCESSES.

mat'l. code				surface		tolerance		projection		product family	
NOTE 1				ISO 1302 <input checked="" type="checkbox"/>		ISO 406				HPC	
						ISO 1101				title	
ltr	ecn no	dr	date	tolerances unless otherwise specified				INCH/MM		END MOUNTED GUIDE PIN	
B	V31851	GIP	11/11/93	angles	.XX±.01/.3				dwg no		
C	V40690	RMP	3/29/94	linear	.xxx±.005/.13				78628		
D	V00719	LSS	4/6/00	0°±2'	.xxxx±.0020/.051		scale 1:1		sheet 1 of 4 size		
E	V05-0974	LP	10/31/05	dr	L.SANDERS	4/6/00				A3	
F	M06-0260	MHT	7/07/06	enr	M.GRAY	4/6/00				type	
				chr	M.GRAY	4/6/00				Product Customer Drawing	
				appd	M.GRAY	4/6/00					
sheet index	revision	F									
	sheet	1									

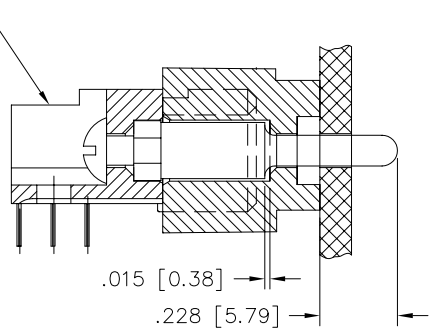
PRODUCT NO.
78628-002
78628-002LF



GUIDE PIN, MOUNTED TO RECPT.



GUIDE PIN FIRST CONTACT



HOUSING FULLY MATED

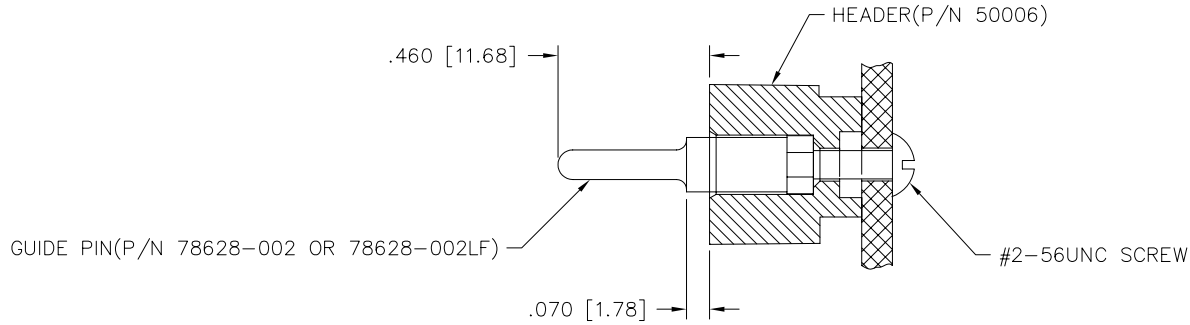
END MOUNTED GUIDE PIN ON RECEPTACLE
(MECHANICAL)

NOTES:
1. P/N 78628-002 / 78628-002LF TO BE USED IN MECHANICAL APPLICATIONS ONLY, IT CAN BE MOUNTED IN RECPT. OR HEADERS, DESIGNED TO MAKE FIRST CONTACT WHEN HOUSING FACES ARE .035" APART.

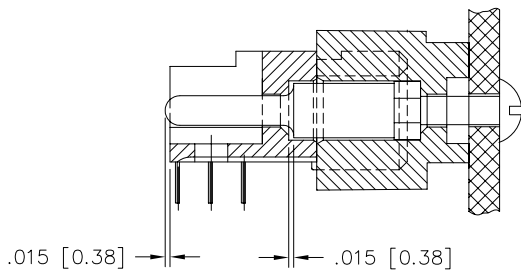
mat'l. code		surface ISO 1302 ✓		tolerance ISO 406 ISO 1101		projection ⊕		product family HPC	
ltr	ecn	no	dr	date		tolerances unless otherwise specified		title	
F						.XX±.01/.3		END MOUNTED GUIDE PIN	
						linear .XXX±.005/.13		INCH/MM	
						0'±2'		scale 1:1	
						dr L.SANDERS 4/6/00		dwg no sheet 2 of 4 size	
						enr M.GRAY 4/6/00		78628 A3	
						chr M.GRAY 4/6/00		type Product Customer Drawing	
						appd M.GRAY 4/6/00			
sheet index	revision sheet								

Copyright FCJ
FCJconnect.com

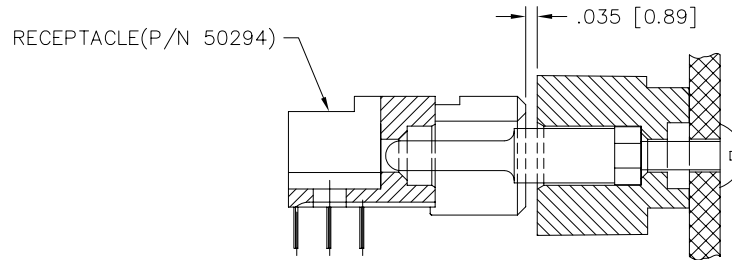
PRODUCT NO.
78628-002
78628-002LF



GUIDE PIN, MOUNTED TO HEADER



HOUSING FULLY MATED



GUIDE PIN FIRST CONTACT

END MOUNTED GUIDE PIN ON HEADER
(MECHANICAL)

NOTES:

1. P/N 78628-002 / 78628-002LF TO BE USED IN MECHANICAL APPLICATIONS ONLY, IT CAN BE MOUNTED IN RECEPT OR HEADERS, DESIGNED TO MAKE FIRST CONTACT WHEN HOUSING FACES ARE .035" APART.

mat'l. code		surface ISO 1302 ✓		tolerance ISO 406 ISO 1101		projection ⊕		product family HPC	
ltr	ecn	no	dr	date		tolerances unless otherwise specified		title	
F						angles	linear	INCH/MM	
						0'±2'	.xx±.01/.3	scale 1:1	
							.xxx±.005/.13	dwg no	
						dr	L.SANDERS	4/6/00	sheet 3 of 4 size
						enr	M.GRAY	4/6/00	78628
						chr	M.GRAY	4/6/00	A3
						appd	M.GRAY	4/6/00	type Product Customer Drawing
sheet index	revision sheet								

FCJ
FCIconnect.com
Copyright FCI


PRODUCT NO.

78628-001

78628-001LF

NOTES:

- 1. P/N 78628-001 / 78628-001LF TO BE USED FOR ELECTRICAL DISCHARGE APPLICATIONS, MOUNTED IN HEADER ONLY. DESIGNED TO MAKE CONTACT WHEN HOUSING FACES ARE .060" APART.

mat'l. code		surface ISO 1302 <input checked="" type="checkbox"/>		tolerance ISO 406 ISO 1101		projection 		product family HPC	
ltr		ecn no		date		tolerances unless otherwise specified		title	
F						.XX±.01/.3		INCH/MM scale 1:1	
				angles		.xxx±.005/.13			
				0'±2'		.xxxx±.0020/.051			
				dr		L.SANDERS 4/6/00		dwg no	
				enr		M.GRAY 4/6/00		sheet 4 of 4 size	
				chr		M.GRAY 4/6/00		78628 A3	
				appd		M.GRAY 4/6/00		type Product Customer Drawing	
sheet index		revision sheet							



Copyright FCI