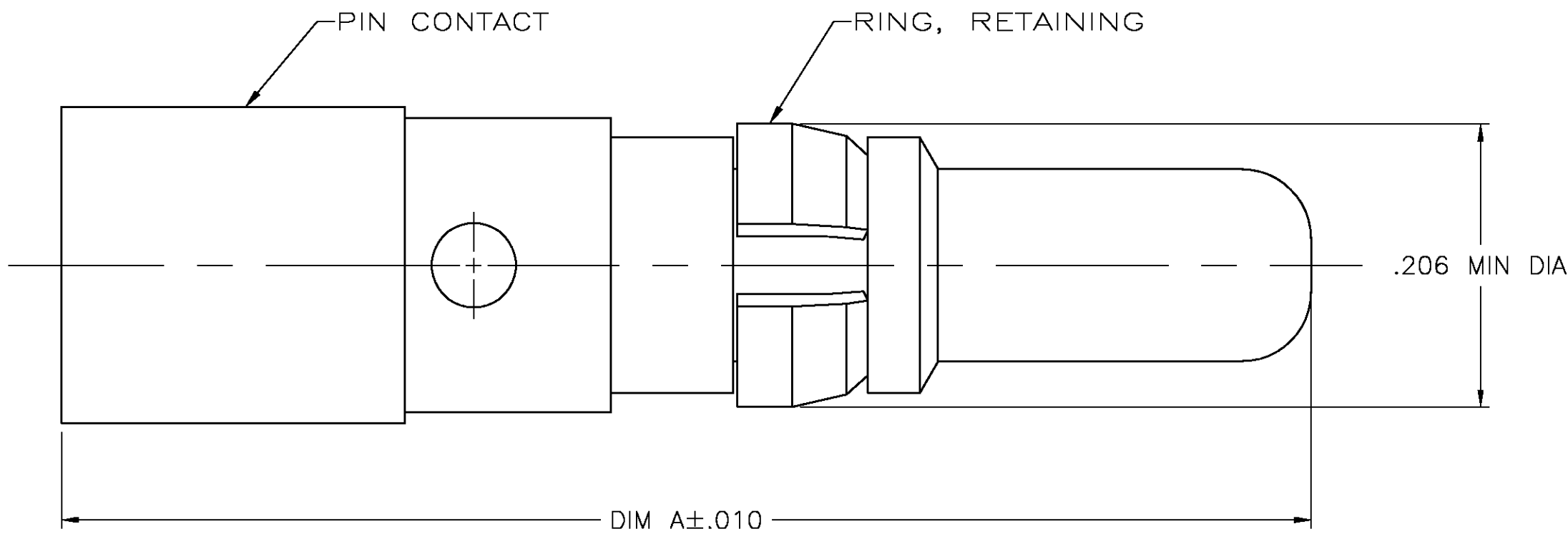


THIS DRAWING IS UNPUBLISHED. RELEASED FOR PUBLICATION
 © COPYRIGHT BY TYCO ELECTRONICS CORPORATION. ALL RIGHTS RESERVED.

LOC	DIST	REVISIONS			
P	LTR	DESCRIPTION	DATE	DWN	APVD
FT	0	G	REVISED PER 0G3B-0280-05	3/10/05	SS GS

- 1. WIRE BARREL WILL ACCEPT 8 AWG WIRE.
- 2. PLATED WITH .000200 MINIMUM SILVER OVER .000050 MINIMUM NICKEL.
- 3. PLATED WITH .000030 MINIMUM GOLD OVER .000050 MINIMUM NICKEL.
- 4. RETAINING RING: PHOSPHOR BRONZE
PIN CONTACT: BRASS
- 5. PLATED WITH .000100 MINIMUM NICKEL.



	.950	3	213552-3
	.910	3	213552-2
OBSOLETE	-	2	213552-1
	DIM A	CONTACT FINISH	PART NO.

THIS DRAWING IS A CONTROLLED DOCUMENT.		DWN J LIPPERT 12-19-88	Tyco Electronics Corporation Harrisburg, Pa 17105-3608	
DIMENSIONS: INCHES		CHK J McCLINTON 12-19-88		
		TOLERANCES UNLESS OTHERWISE SPECIFIED:		NAME PIN CONTACT ASSEMBLY, POWER V111, METRIMATE
0 PLC ± - 1 PLC ± - 2 PLC ± - 3 PLC ± .005 4 PLC ± - ANGLES ± -		PRODUCT SPEC -	APPLICATION SPEC -	
MATERIAL - 4		FINISH PIN CONTACT: SEE TABLE RETAINING RING: 5	WEIGHT -	RESTRICTED TO -
CUSTOMER DRAWING			SIZE A3	CAGE CODE 00779
			DRAWING NO C-213552	REV G
			SCALE 10:1	SHEET 1 OF 1