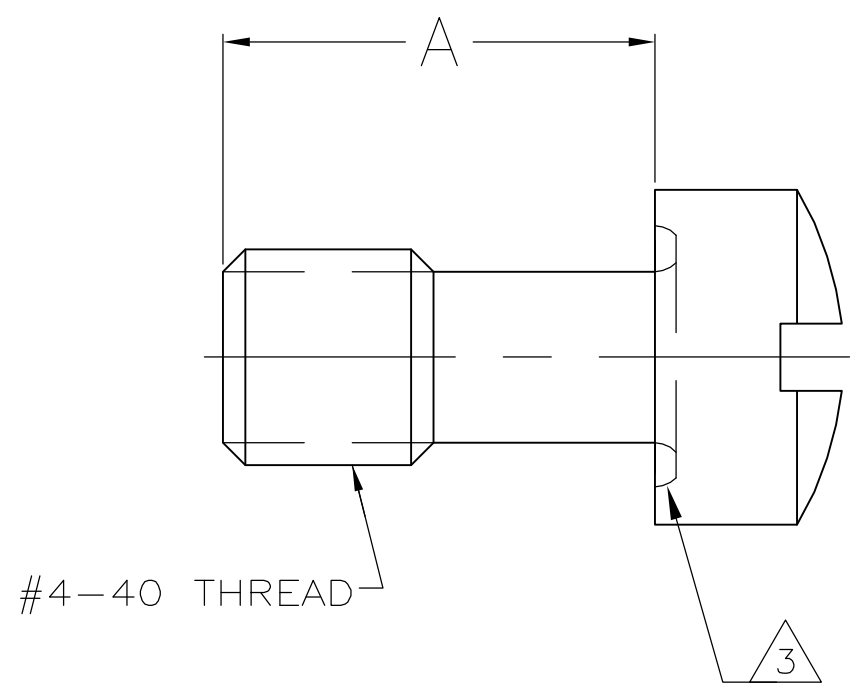


THIS DRAWING IS UNPUBLISHED. RELEASED FOR PUBLICATION
 © COPYRIGHT - BY TYCO ELECTRONICS CORPORATION. ALL RIGHTS RESERVED.

LOC	DIST	REVISIONS					
GP	00	P	LTR	DESCRIPTION	DATE	DWN	APVD
			0	RELEASED PER EC 0S13-0207-05	22JUN05	RR	JG

- △1 ZINC PLATED .000200-000400 THICK YELLOW CHROMATE COATING.
- △2 ZINC PLATED .000200-.000400 THICK CLEAR CHROMATE COATING.
- △3 UNDERCUT MAY OR MAY NOT BE PRESENT IN THIS AREA.



△2	.220±.010	5205979-4
△1	.220±.010	5205979-1
FINISH	A	PART NUMBER

THIS DRAWING IS A CONTROLLED DOCUMENT.		DWN R.RICHARDSON 22JUN05	Tyco Electronics Corporation Harrisburg, Pa 17105-3608	
DIMENSIONS: INCHES		CHK C.ROHDE 22JUN05		
TOLERANCES UNLESS OTHERWISE SPECIFIED:		APVD M.WALMSLEY 29JUN05	NAME RETAINER SCREW, AMPLIMITE	
		PRODUCT SPEC	SIZE A3	
MATERIAL COLD ROLLED STEEL		APPLICATION SPEC	CAGE CODE 00779	DRAWING NO C-5205979
FINISH SEE TABLE		WEIGHT -	RESTRICTED TO -	
CUSTOMER DRAWING			SCALE 10:1	SHEET 1 OF 1
			REV 0	