

# 5V-3.3V REG™

Manual

*All Mikroelektronika's development systems feature a large number of peripheral modules expanding microcontroller's range of application and making the process of program testing easier. In addition to these modules, it is also possible to use numerous additional modules linked to the development system through the I/O port connectors. Some of these additional modules can operate as stand-alone devices without being connected to the microcontroller.*

Additional Board

 **MikroElektronika**

SOFTWARE AND HARDWARE SOLUTIONS FOR EMBEDDED WORLD ...making it simple

## 5V-3.3V REG Additional Board

The 5V-3.3V REG additional board is used to reduce the power supply voltage. The additional board is provided with a voltage ranging from 8 to 16V AC/DC via the CN1 connector or the CN2 screw terminal. This voltage is reduced and stabilized by using the on-board voltage regulator. The reduced voltage may be either 5 or 3.3V and is delivered via screw terminals CN3 (5V) and CN4 (3.3V) from the board. The maximum current for the 5V voltage amounts to 1A, and 800mA for the 3.3V voltage. A LED marked POWER (LD1) indicates the presence of the voltage on the additional board.

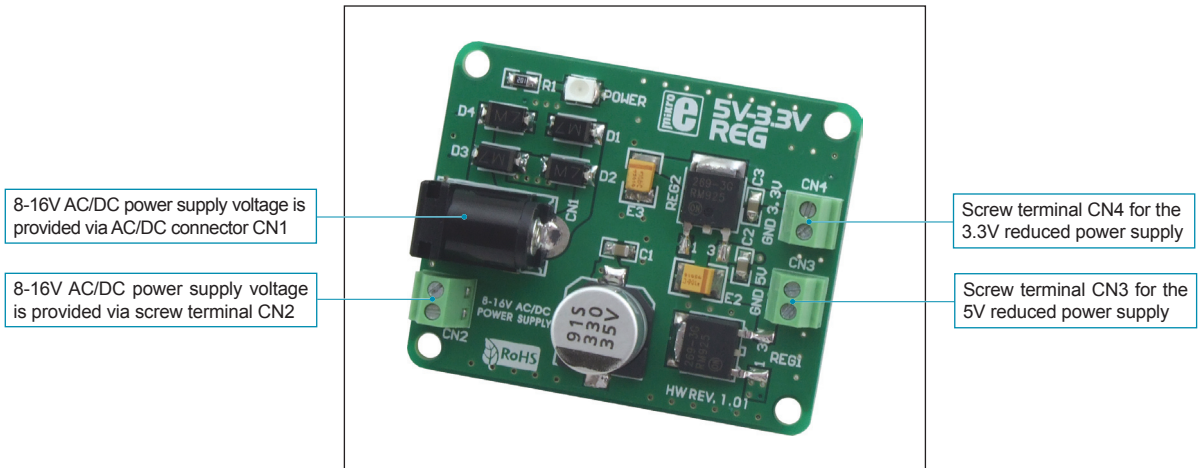


Figure 1: 5V-3.3V REG additional board

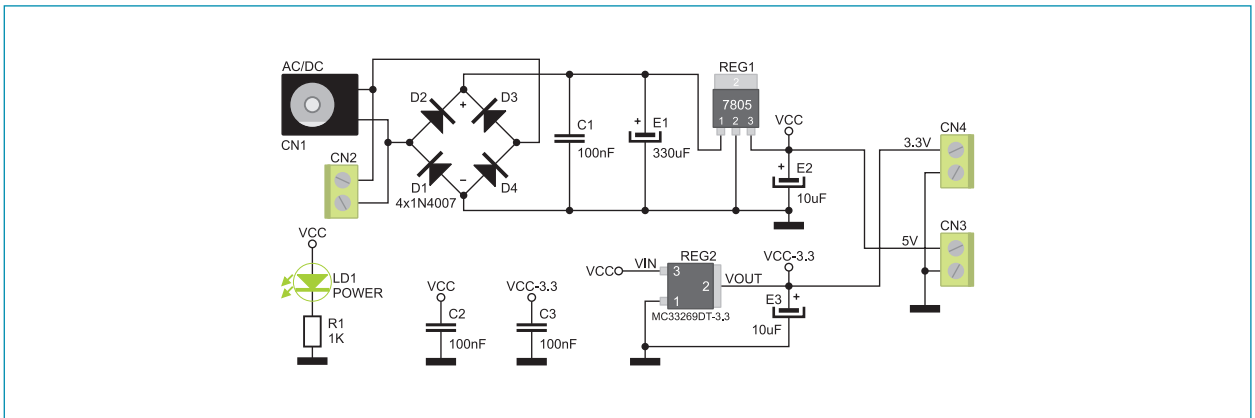


Figure 2: 5V-3.3V REG additional board connection schematic





**MikroElektronika**  
SOFTWARE AND HARDWARE SOLUTIONS FOR EMBEDDED WORLD ...making it simple

If you want to learn more about our products, please visit our website at [www.mikroe.com](http://www.mikroe.com)

If you are experiencing some problems with any of our products or just need additional information, please place your ticket at [www.mikroe.com/en/support](http://www.mikroe.com/en/support)

If you have any questions, comments or business proposals, do not hesitate to contact us at [office@mikroe.com](mailto:office@mikroe.com)