

NOTES:

- 1.0 MATERIALS:
 - 1.1 HOUSING: STAINLESS STEEL PER ASTM-A582, TYPE 303.
 - 1.2 CENTER CONTACT: BERYLLIUM COPPER ROD ALLOY C172, PER ASTM-B196.
 - 1.3 DIELECTRIC: PTFE FLUOROCARBON PER ASTM-D1710.

2.0 PLATING:

- 2.1 HOUSING: PASSIVATED PER MIL-F-14072 AND SAE AMS QQ-P-35
- 2.2 CENTER CONTACT: GOLD PER MIL-PRF-39012
- 2.3 7MM NUT: ELECTROPOLISH (BRIGHT POLISH)

3.0 ELECTRICAL SPECIFICATION:

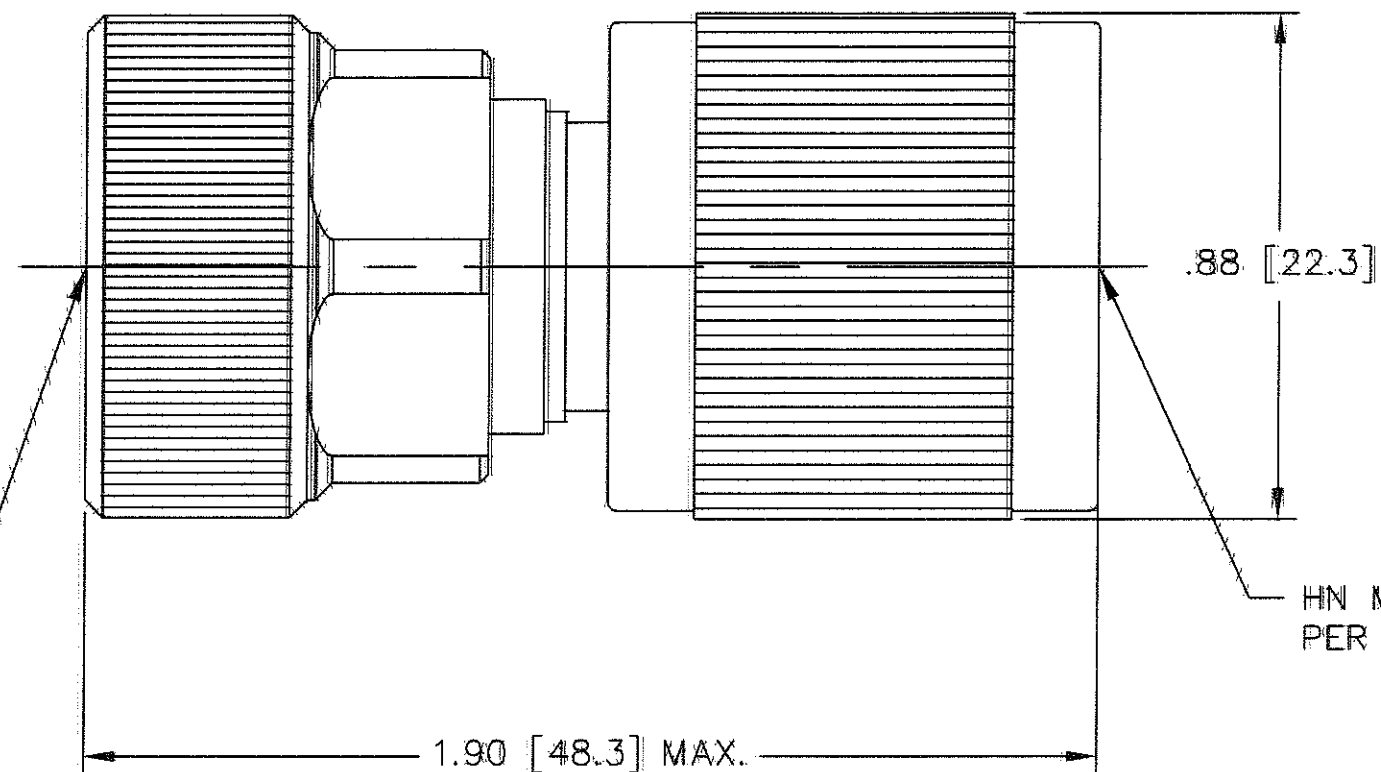
- 3.1 FREQUENCY RANGE: DC to 8.0 GHz
- 3.2 VSWR (MAXIMUM): DC to 4 GHz: 1.05:1
4 to 8 GHz: 1.10:1

4.0 DIMENSIONS IN PARENTHESIS ARE IN MILLIMETERS

5.0 BAG MARKING:

ADT-2801-7M-HNM-02
ADAPTER
LOT #-----

7MM CONNECTOR



HN MALE CONN.
PER MIL-PRF-39012

REV.	DESCRIPTION	DATE
-	RELEASED	5/12/05

UNLESS OTHERWISE NOTED DIMENSIONS ARE IN INCHES AND TOLERANCES ARE: 3 PLACE DECIMALS ±.005 2 PLACE DECIMALS ±.02 FRACTIONS ±1/64 PARALLELITY: T.I.R. _____ FLATNESS: T.I.R. _____ CONCENTRICITY: T.I.R. _____ ANGLES AND PERPENDICULARITY: ±1°	FSDM NO. 34078	MIDWEST MICROWAVE		
	NOTICE: The information contained in this drawing is proprietary and must not be used without the permission of Midwest Microwave		TITLE ADAPTER 7MM TO HN PLUG	
	DRAWN/DATE S.ORLOV 5/12/05	ENG./DATE G.HOUGHTON 5/12/05	DRAWING NUMBER ADT-2801-7M-HNM-02	
	CHECKED/DATE G.HOUGHTON 5/12/05	APPROVED/DATE G.HOUGHTON 5/12/05	SCALE: 3=1	SHEET 1 of 1