

140 mm sq.

San Ace 140L



General Specifications

- Material Frame: Aluminum,
Impeller: Plastics (Flammability: UL94V-1)
- Expected Life Refer to specifications (L10:Survival rate: 90% at 60°C ,
rated voltage, and continuously run in a free air state)
- Lead Wire ⊕red ⊖black or blue (Sensor) yellow
- Storage Temperature -30°C to +70°C (Non-condensing)

140×140×38mm (Mass : 600g) **9L type**

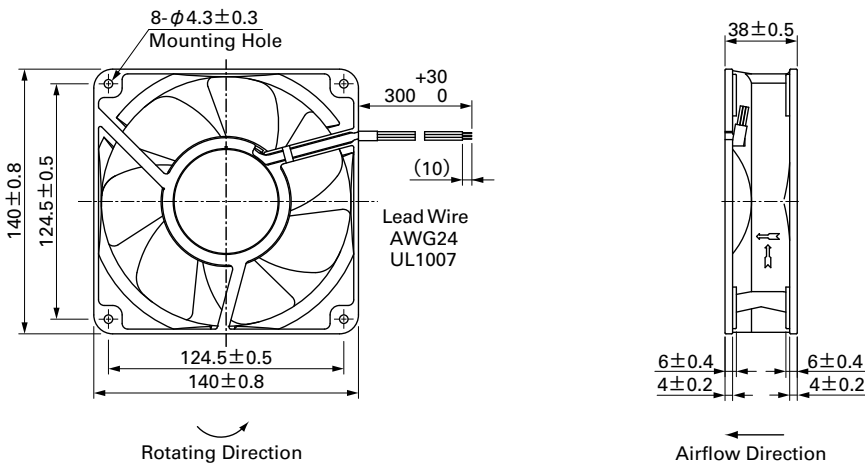
Specifications

The following nos. **have pulse sensors.**

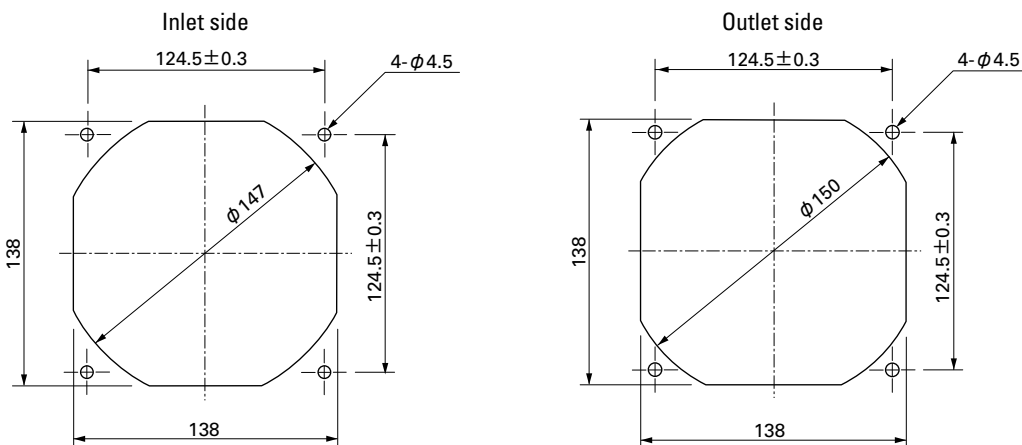
Model No.	Rated Voltage [V]	Operating Voltage Range [V]	Rated Current [A]	Rated Input [W]	Rated Speed [min ⁻¹]	Max. Airflow [m ³ /min] [CFM]	Max. Static Pressure [Pa] [inchH ₂ O]	SPL [dB(A)]	Operating Temperature [°C]	Expected Life [h]
109L1412H101	12	10.2 to 13.8	0.73	8.76	2,600	4.6 159	98 0.394	46	- 20 to + 70	100,000/60°C
109L1412M101			0.3	3.6	1,900	3.3 117	52 0.209	38		
109L1424H101	24	20.4 to 27.6	0.37	8.88	2,600	4.6 159	98 0.394	46		
109L1424M101			0.16	3.84	1,900	3.3 117	52 0.209	38		
109L1448H101	48	40.8 to 55.2	0.2	9.6	2,600	4.6 159	98 0.394	46		
109L1448M101			0.09	4.32	1,900	3.3 117	52 0.209	38		

Other sensor specifications are available as options. Please refer to the index (pp. 496).

Dimensions (unit: mm)



Reference Dimensions of Mounting Holes and Vent Opening (unit: mm)



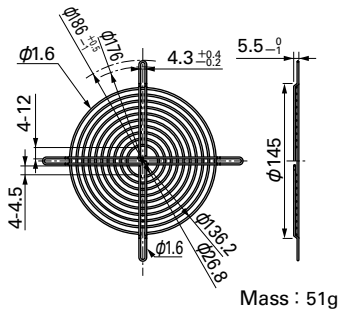
Options (unit: mm)

Finger Guards

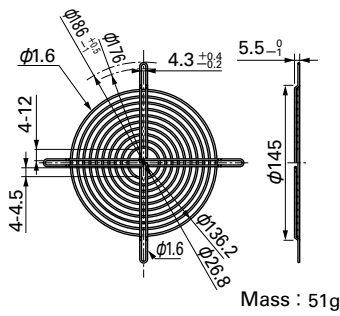
Model : 109-719 Surface treatment : Nickel-chrome plating (silver) Color

Model : 109-719H Surface treatment : Cation electropainting (black) Color

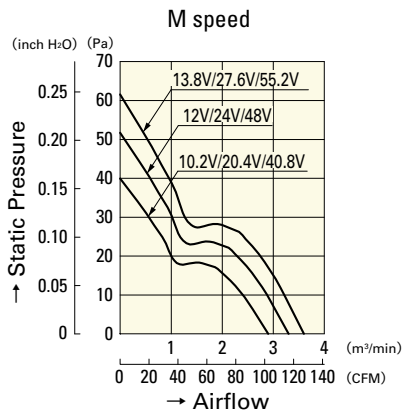
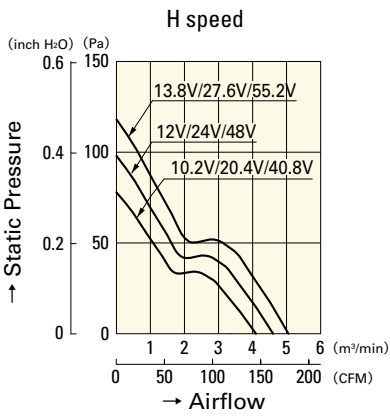
Inlet side, Outlet side



Inlet side, Outlet side



Airflow - Static Pressure Characteristics



- 109L1412H101**
- 109L1424H101**
- 109L1448H101**

- 109L1412M101**
- 109L1424M101**
- 109L1448M101**

DC
Long Life Fan 140mm