

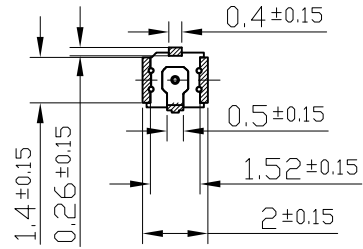
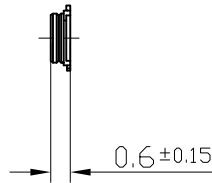
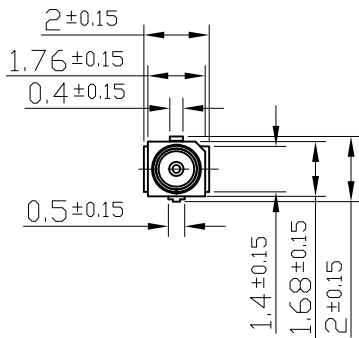
ISD NO: EDW-11-8-647

REV	ZONE	DESCRIPTION	ENG	APPROVED	ISSUED DATE
A	ALL	Initial Design	Kiwi	Joanna	2011/11/7
B	C5	Amend PCB footprint	Raisa	Joanna	2014/04/01
C	C5	Amend PCB footprint	Kim	Wayne	2014/09/12

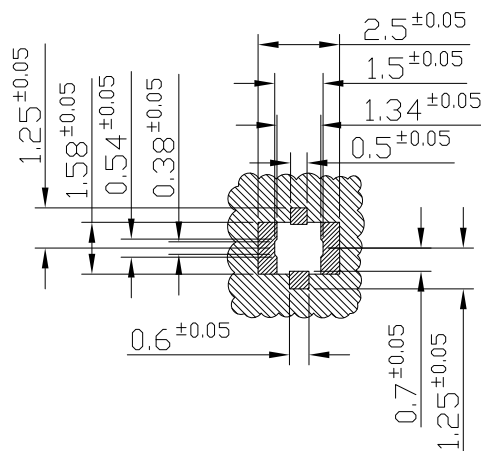
Top

Side

Bottom

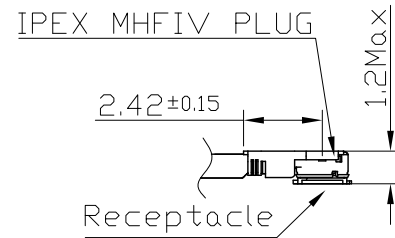


PCB Footprint



Note:
1.BOM No: 204411K000029A B

Mated View



- Note:
- 1.Soldered Area
 - 2.Solder Mask
 - 3.Clearance Area
 - 4.PCB Thickness 0.4mm

UNLESS OTHERWISE SPECIFIED TOLERANCES ON:
 .X ± 1.0
 XX ± 5.0 .XX ± 0.5
 X ± 3.0 .XXX ± 0.1

DATE: 2011/11/7 MAT'L: Brass
 UNIT: mm FINISH: Gold
 THIRD ANGLE PROJECTION SCALE: 4/1

taoglas
 antenna solutions TW Design Centre
 This drawing and its inherent design concepts are property of Taoglas. Not to be copied or given to third parties without the written consent of Taoglas.

REV
C

APPROVED BY: CHECKED BY: DRAWN BY: CUSTOMERS SIGNATURE / DATE
 Joanna Jimmy Kiwi

TITLE: IPEX MHFIV Receptacle

PART NO: RECE.20449.001E.01