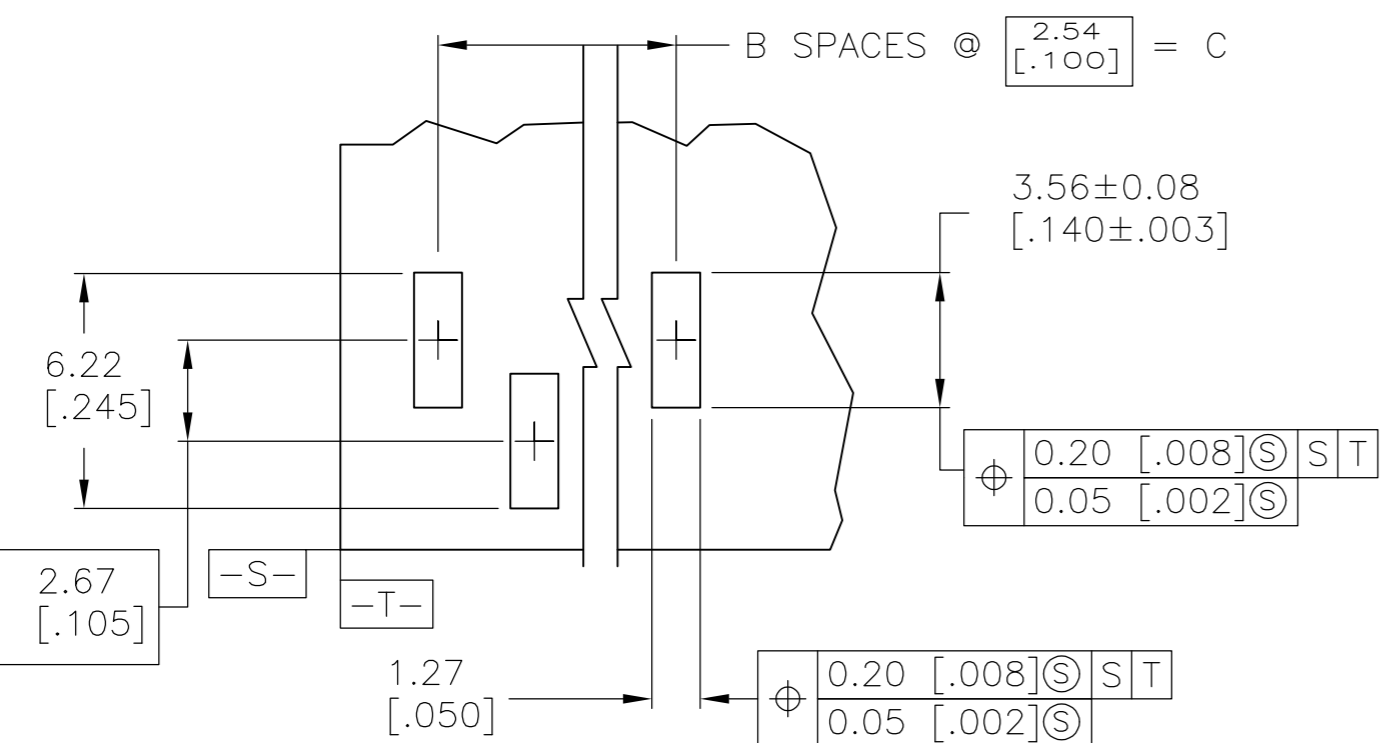
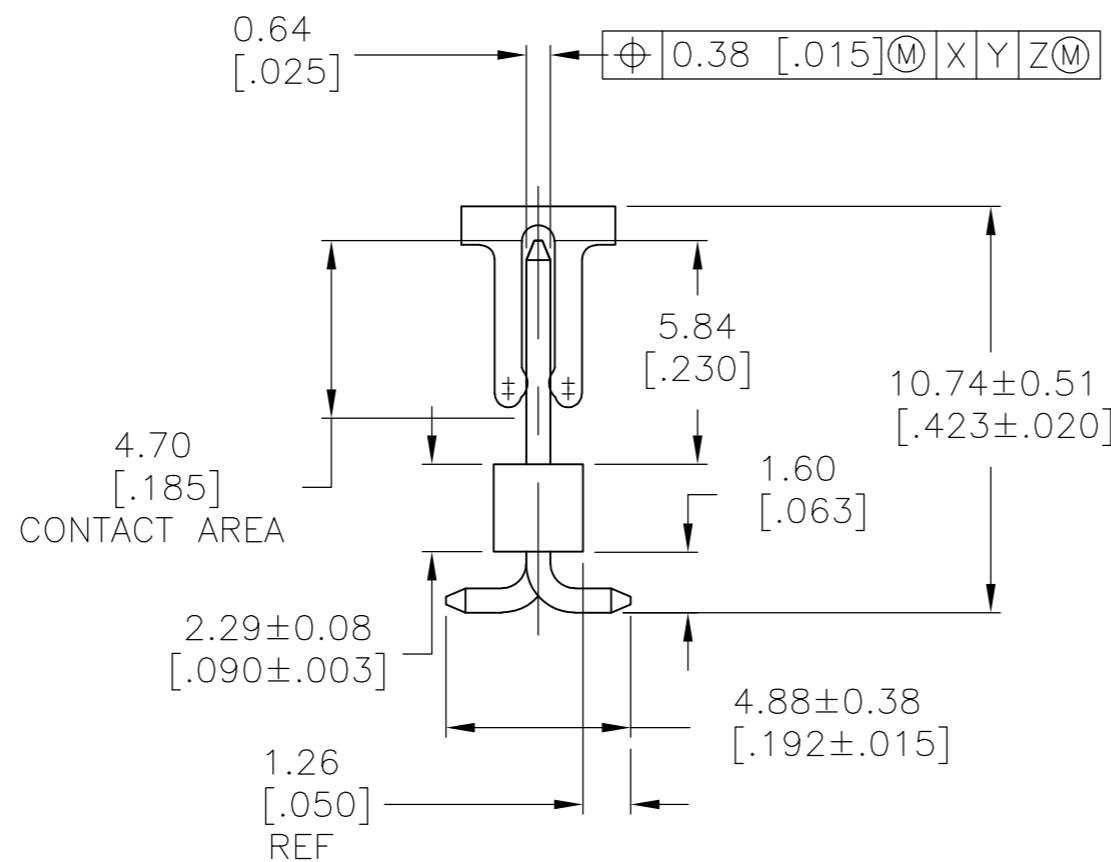
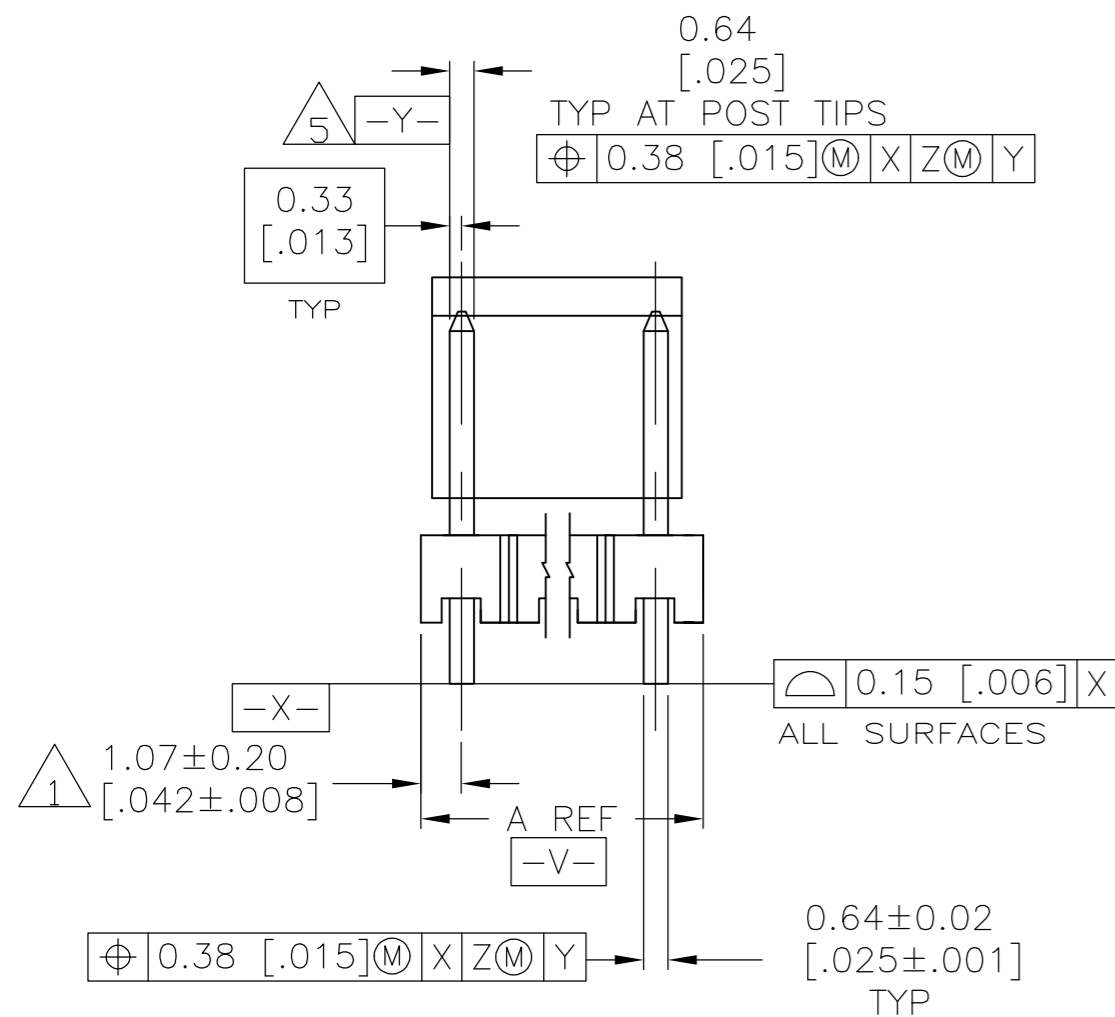
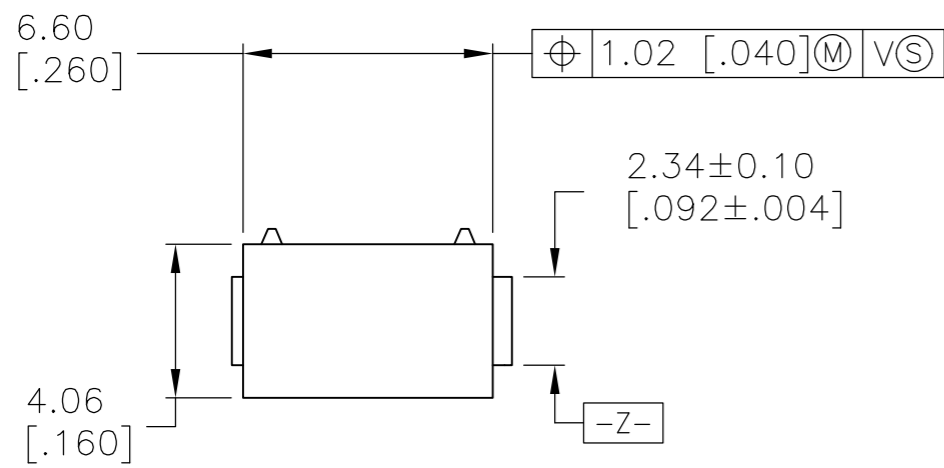


LOC		DIST		REVISIONS				
P	LTR	DESCRIPTION	DATE	DWN	APVD			
AD	00	G4	REVISED PER ECO-11-000364	11JAN11	HMR	JG		



RECOMMENDED PCB LAYOUT FOR USE WITH 0.20[.008] THICK STENCIL

- 1 THE NOTED DIMENSIONS APPLY AT THE INTERSECTION OF THE POST AND THE HOUSING.
- 2 0.000762 [.000030] GOLD ON CONTACT AREA, 0.00254-0.00508 [.000100-.000200] MATTE TIN-LEAD ON SOLDER TAIL, ALL OVER 0.00127 [.000050] NICKEL.
- 3 HOUSING: LCP, COLOR-BLACK.
POST: PHOS. BRONZE.
PICK AND PLACE CAP: PPA, COLOR-BLACK.
- 4 PACKAGED IN TAPE AND REEL PER EIA-481 SPECIFICATIONS.
SEE TABLE FOR TAPE WIDTHS.
- 5 DATUM -Y- SHALL BE THE INTERSECTION OF THE POST AND THE HOUSING.
- 6 PRELIMINARY PART - NOT RELEASED FOR PRODUCTION.
- 7 0.000762 [.000030] GOLD ON CONTACT AREA, 0.00254-0.00508 [.000100-.000200] MATTE TIN ON SOLDER TAIL, ALL OVER 0.00127 [.000050] NICKEL.

7	44 mm	17.78[.700]	7	19.91[.784]	8	5-147118-2
7	24 mm	7.62[.300]	3	9.75[.384]	4	5-147118-3
7	24 mm	5.08[.200]	2	6.30[.284]	3	5-147118-1
6	32 mm	10.16[.400]	4	12.29[.484]	5	147118-5
6	2	32 mm	5	14.83[.584]	6	147118-4
6	2	24 mm	3	9.75[.384]	4	147118-3
2	44 mm	17.78[.700]	7	19.91[.784]	8	147118-2
2	24 mm	5.08[.200]	2	6.30[.284]	3	147118-1
PLATING	TAPE WIDTH	C	B	A	NO OF POSN	PART NUMBER

THIS DRAWING IS A CONTROLLED DOCUMENT.		DWN B. HAYMAKER	23JAN02	Tyco Electronics Corporation Harrisburg, PA 17105-3608		
DIMENSIONS: mm [INCHES]		CHK J. GESFORD	02DEC98	NAME S/M HEADER ASSEMBLY, MOD II, B/W, VERTICAL, SINGLE ROW, .100 C/L, .025 SQ POST, WITH PICK AND PLACE CAP		
TOLERANCES UNLESS OTHERWISE SPECIFIED:		APVD J. GESFORD	02DEC98	PRODUCT SPEC		
0 PLC ± -		APPLICATION SPEC		SIZE A2		
1 PLC ± -		WEIGHT		CAGE CODE		
2 PLC ± -		SCALE		DRAWING NO		
3 PLC ± 0.13[.005]		CUSTOMER DRAWING		RESTRICTED TO		
4 PLC ± -		SCALE 5:1		SHEET 1 OF 1		
ANGLES ± -		SHEET		REV G4		
FINISH SEE TABLE		SCALE 5:1		REV G4		