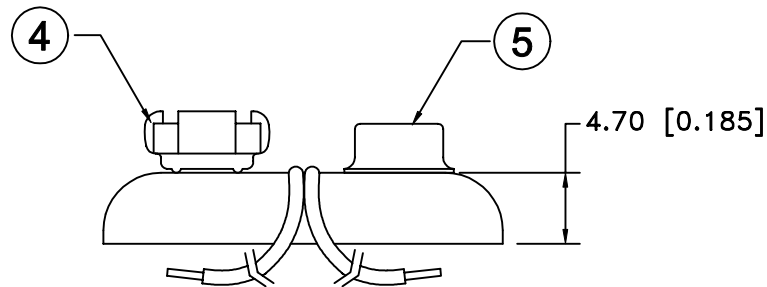
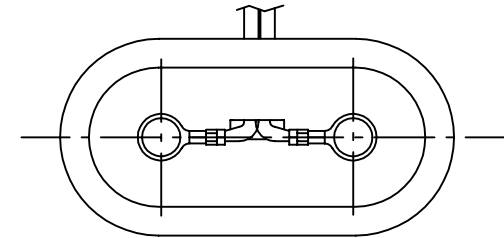
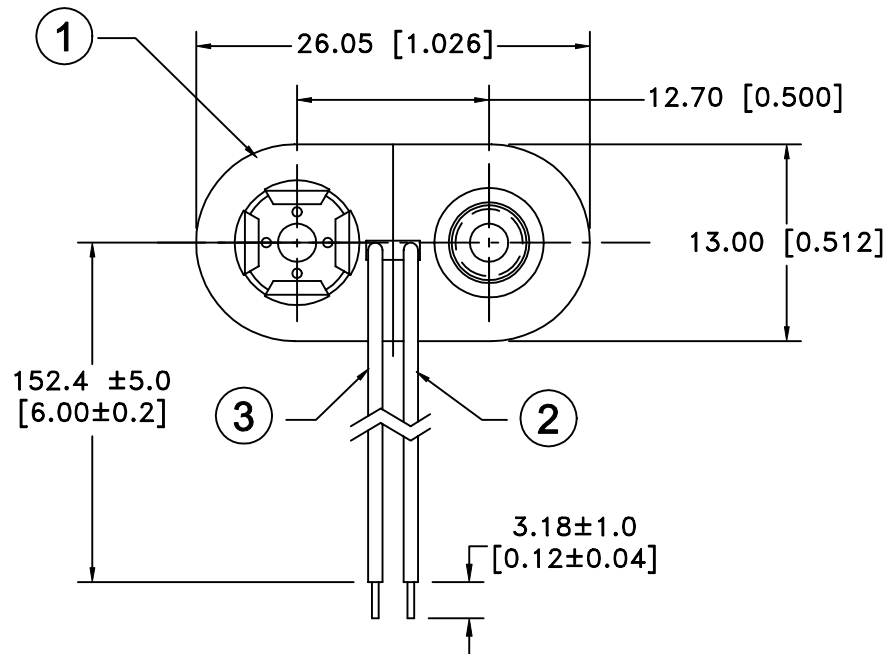


Date	SYM	REVISION RECORD	AUTH	DR.	CK.



NOTES:

1. T STYLE 2 PCS. MOLDED CASE CONSTRUCTION WITH CRIMP CONNECTIONS. CRIMP ON WIRE INSULATION AND ON WIRE PROVIDES STRAIN RELIEF THAT STANDARD SOLDERED SNAPS DO NOT HAVE.

NO.	PART NAME	MATERIAL	QTY.	Tolerance (Except as noted)	Memory Protection Devices, Inc 200 Broad Hollow Road, Farmingdale, New York 11735	
1	MOLDED CASE	2 PCS., POLYETHYLENE, WHITE WITH BLUE INSERT	1	decimal	Scale	Drawn By B.S. Approved By T.B.
2	BLACK WIRE(-)	24 AWG OR 26 AWG, UL-1007, CSA TR-64, 300V, 80°C	1	±.5 (.020)		
3	RED WIRE (+)	24 AWG OR 26 AWG, UL-1007, CSA TR-64, 300V, 80°C	1	Fractional	Title 9 VOLT BATTERY SNAP-T STYLE-6" WIRE LEADS, MOLDED CASE	
4	FEMALE SNAP	BRASS, NICKLE PLATED	1	± .8 (.030)		
5	MALE SNAP	BRASS NICKLE PLATED	1	Angular	Date	Drawing Number
				± 3°	06/09/01	BS6T-MC