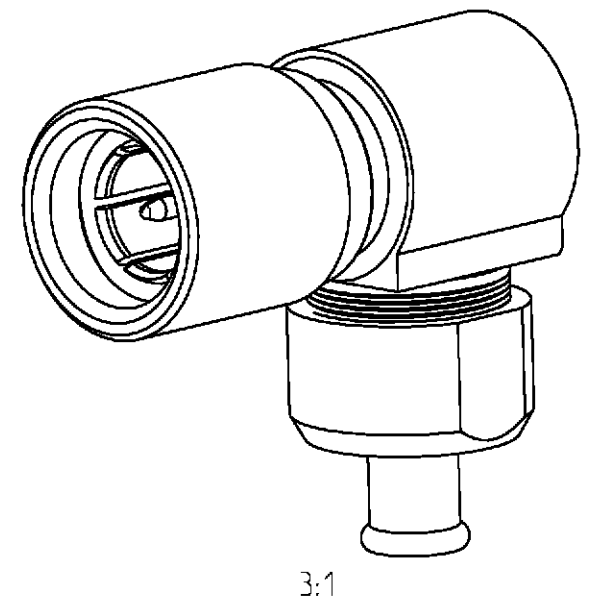
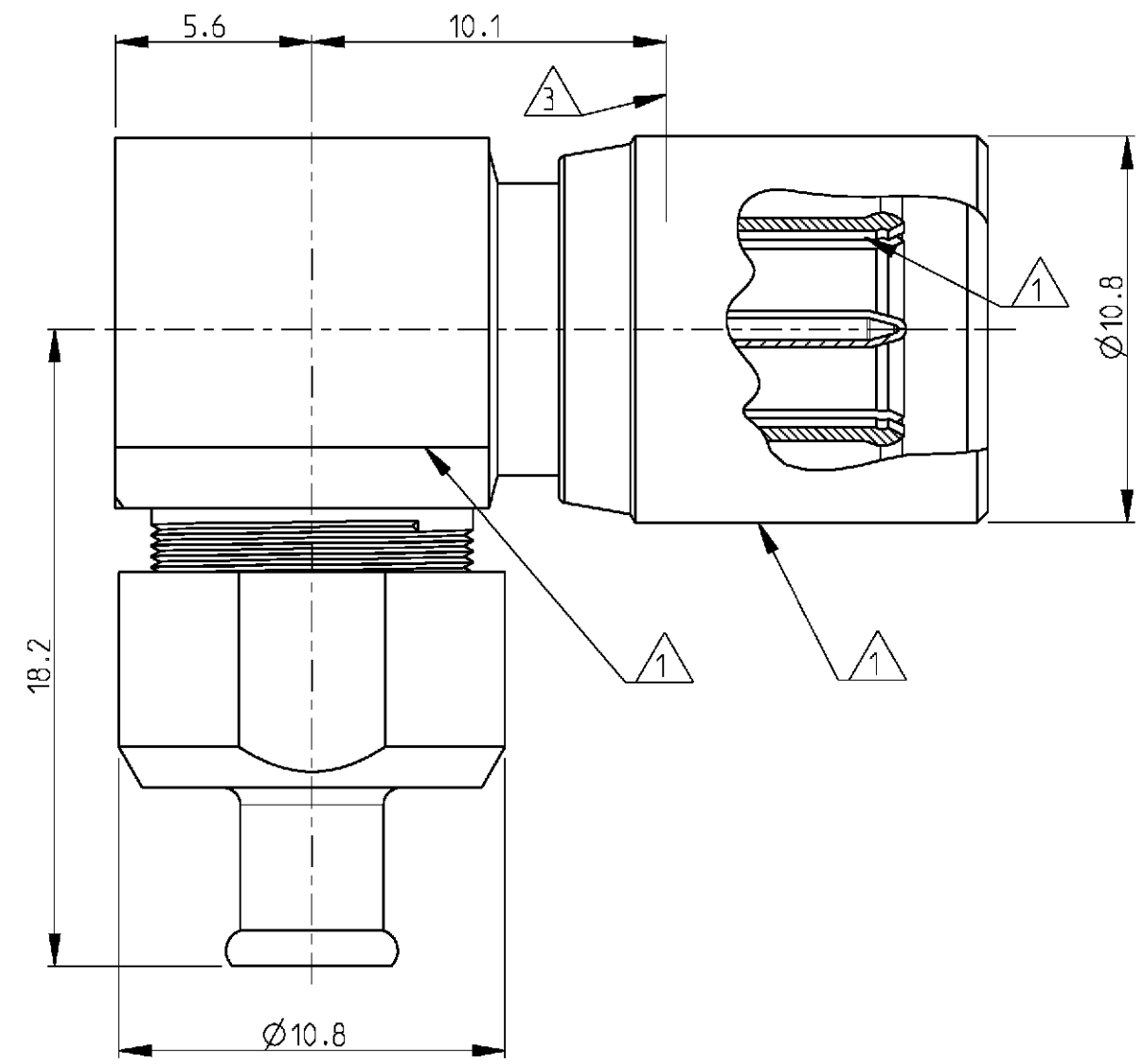


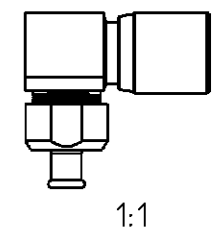
THIS DRAWING IS UNPUBLISHED. RELEASED FOR PUBLICATION 2000
 © COPYRIGHT 2000 BY TYCO ELECTRONICS CORPORATION. ALL RIGHTS RESERVED.

LOC	DIST	REVISIONS				
P	LTR	DESCRIPTION	DATE	DWN	APVD	
GW	-	A	-	05APR2001	BL	KM



- 5) All dimensions are maximum.
- 4) Cable type : RG 179 B/U
- △ Reference plane.
- 2) Mating face according to DIN 47295/CECC 22240.
- △ Parts are pre-assembled
- All parts supplied as loose parts unless otherwise specified.

Cross reference table				
Old part number	Tyco part number	Description	Material	Plating
V23612-A208-A41	2-1393682-3	Outer conductor	CuBe	1 µm Au min in contact area
		Center conductor	CuSn6/CuBe	1 µm Au min in contact area
		Dielectric	PEEK/PC	-



<small>THIS DRAWING IS A CONTROLLED DOCUMENT FOR TYCO ELECTRONICS CORPORATION. IT IS SUBJECT TO CHANGE AND THE CONTROLLING ENGINEERING ORGANIZATION SHOULD BE CONTACTED FOR THE LATEST REVISION.</small>		DWN B. Lenvain 23MAR2001 CHK K. Mattheeuws 05APR2001 APVD R. Leeman 05APR2001		tyco Tyco Electronics Electronics Oostkamp - Belgium	
DIMENSIONS: mm 		TOLERANCES UNLESS OTHERWISE SPECIFIED: 0 PLC ± 1 PLC ± 2 PLC ± 3 PLC ± 4 PLC ± ANGLES ±		NAME Right angled cable plug 1.6/5.6 75 ohm	
MATERIAL - FINISH -		PRODUCT SPEC - APPLICATION SPEC 114-71026 WEIGHT -		SIZE A3 CAGE CODE 00779 DRAWING NO. C-2-1393682-3 RESTRICTED TO -	
CUSTOMER DRAWING				SCALE 5/1 SHEET 1 OF 1 REV A	