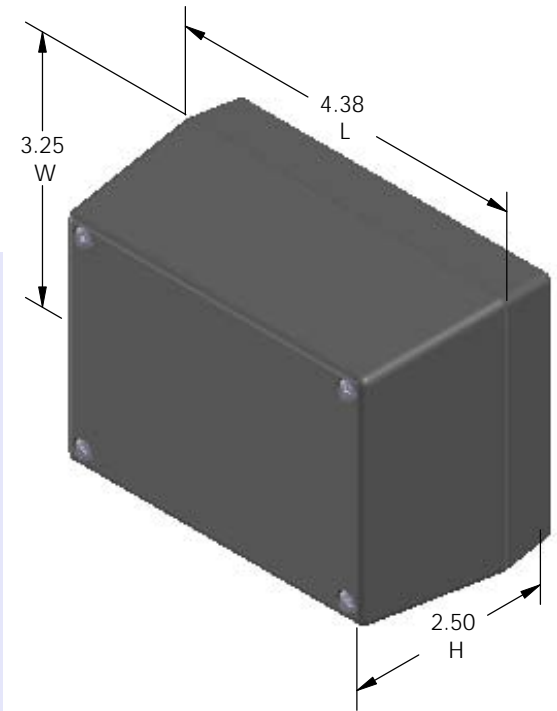
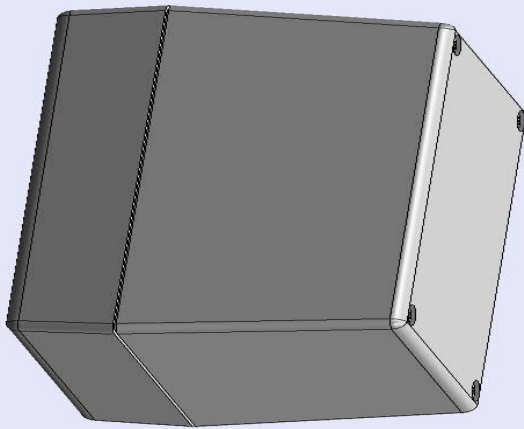


SERPAC 133R (3D exploded)

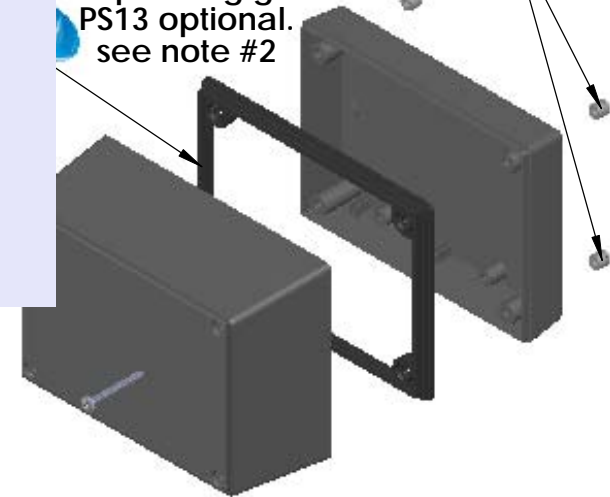
Electronic Enclosures

- Click on image to show toolbar. Use to Play/Pause Animation.
- Left click and drag on image to move 3D model.



Threaded inserts only have to be assembled the first time.

Water proofing gasket PS13 optional. see note #2



- a) Zoom in & out with center wheel.
- b) Pause at any moment to view and or print views.
- c) Change the views to ortho and section views if needed from the Views pull down menu.
- d) Explore options included in the tool bar like: Views, Transparency of model, Lighting type, etc.

| PART NO. | DESCRIPTION (Included) | ACCESSORIES (Optional) | |
|----------|------------------------|------------------------|------------------------------|
| PART NO. | DESCRIPTION | PART NO. | DESCRIPTION |
| 3-3R | TOP | | |
| 13 | BOTTOM | PS13 | Perimeter Seal |
| 6019 | 4-40 SCREW (4) | 330 | Prototype Grid Circuit Board |
| 6102 | THREADED INSERTS (4) | 430 | Prototype Clad Circuit Board |

Notes: Enclosure weight .26 lbs / 120 gm

- 1) Enclosure meets or exceeds IP40 and NEMA 1
- 2) When used with PS13 the enclosure meets or exceeds IP 67 and NEMA 4X, 12 and 13 MIL-STD-810G 506.5
- 3) Circuit Board drawings can be download at:

Top:

http://www.serpac.com/Accessories/CircuitBoard/drawings/X33_CB.pdf

Bottom:

<http://www.serpac.com/Accessories/CircuitBoard/drawings/330-430-cbg.pdf>

- 4) All components are RoHS Compliant.

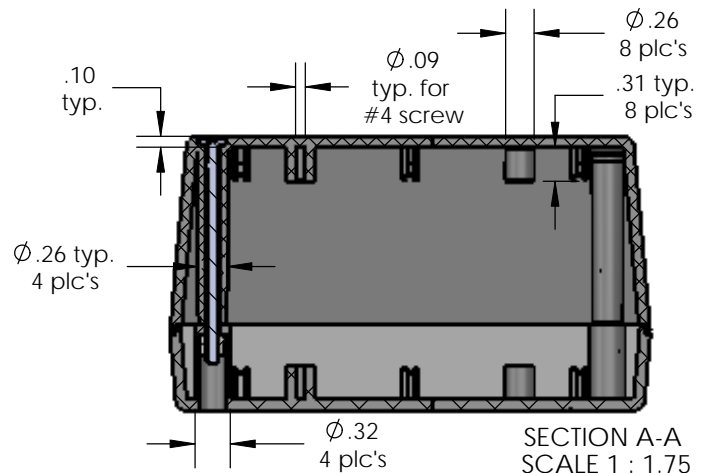
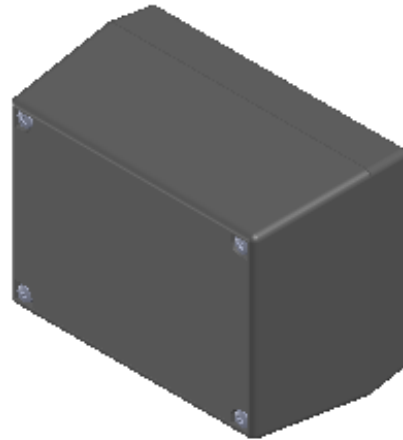
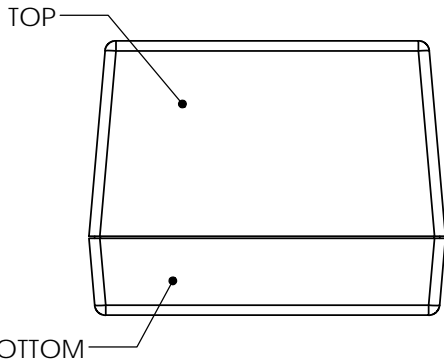
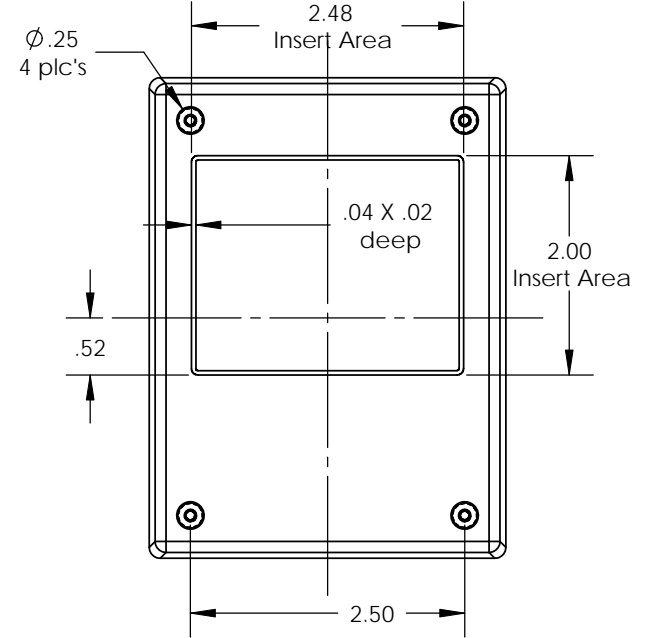
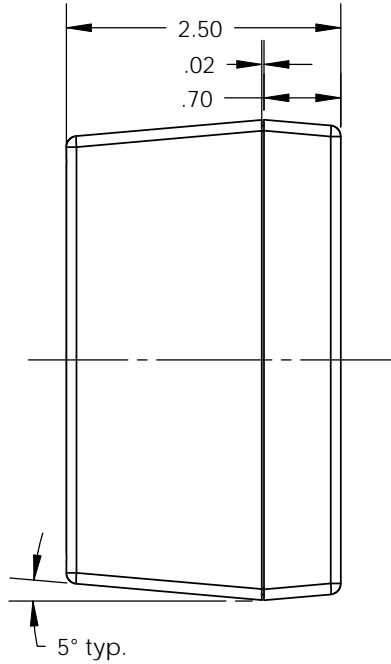
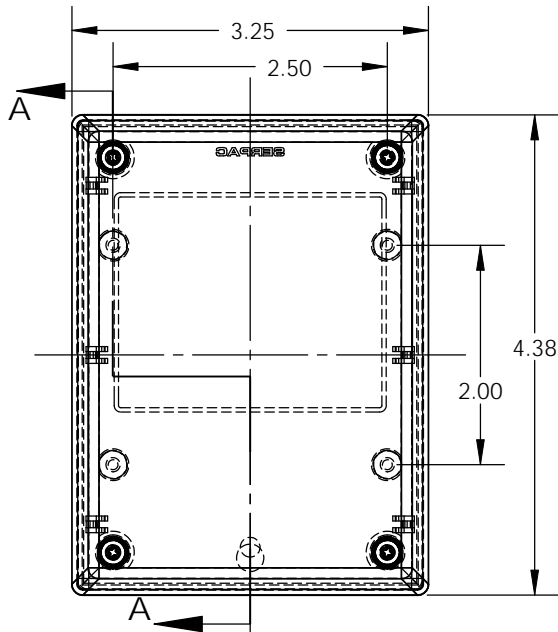
ALL DIMENSIONS ARE ± .010" 7/29/10 (1 of 2)

619 Commercial Ave. Covina, CA 91723

Ph. (626) 331-0517 Fx. (626) 331-8584 serpac.com

SERPAC 133R (user print)

Electronic Enclosures



Notes: Enclosure weight .26 lbs / 120 gm
 1) Enclosure meets or exceeds IP40 and NEMA 1
 2) When used with PS13 the enclosure meets or exceeds IP 67 and NEMA 4X, 12 and 13 MIL-STD-810G 506.5
 3) Circuit Board drawings can be download at:
 Top: http://www.serpac.com/Accessories/CircuitBoard/drawings/X33_CB.pdf
 Bottom: <http://www.serpac.com/Accessories/CircuitBoard/drawings/330-430-cbg.pdf>
 4) All components are RoHS Compliant.

| PART NO. | DESCRIPTION (Included) | ACCESSORIES (Optional) | |
|----------|------------------------|------------------------|------------------------------|
| 3-3R | TOP | PART NO. | DESCRIPTION |
| 13 | BOTTOM | PS13 | Perimeter Seal |
| 6019 | 4-40 SCREW (4) | 330 | Prototype Grid Circuit Board |
| 6102 | THREADED INSERTS (4) | 430 | Prototype Clad Circuit Board |

ALL DIMENSIONS ARE $\pm .010"$ 7/29/10 (2 of 2)
 2009 Wright Ave. La Verne, CA 91750
 Ph. (626) 331-0517 Fx. (626) 331-8584 www.serpac.com