

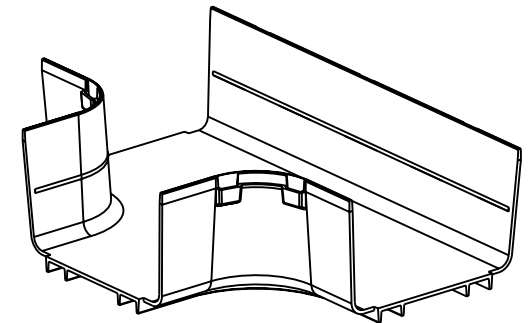
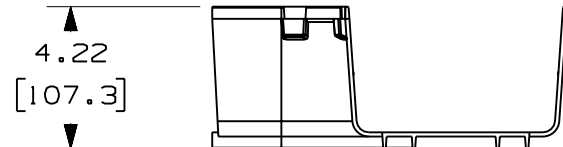
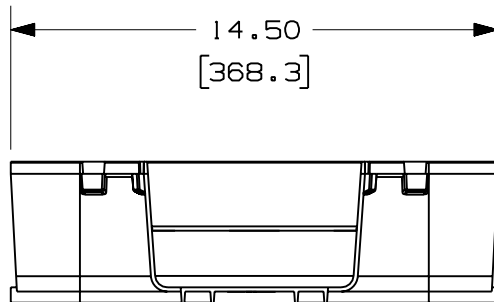
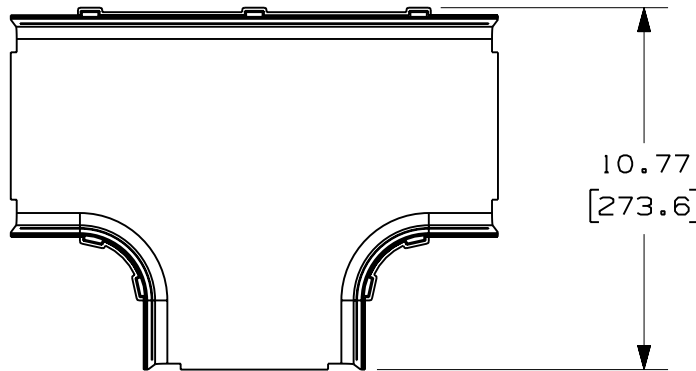


PANDUIT PART NUMBER	WEIGHT
FRT6X4	1.22 LB/EACH (553g/EACH)



H NOTES:

1. SEE CURRENT CATALOG FOR ADDITIONAL PART SUFFIXES TO INDICATE COLOR AND/OR PACKAGE QUANTITY.
2. THE FIBERRUNNER 6x4 HORIZONTAL TEE FITTING IS DESIGNED WITH A MINIMUM 2" (50.8) BEND RADIUS TO PROTECT FIBER OPTIC CABLES.
3. DIMENSIONS IN PARENTHESES ARE IN METRIC.



ENG. REF.: D37185DW_DC_FRT6X4_01.prt

CAD FILENAME/LAYERS

F FRT6x4.pdf

PANDUIT CORP TINLEY PARK, ILLINOIS
FIBERRUNNER 6x4 HORIZONTAL TEE FITTING (FRT6X4)
 CUSTOMER DRAWING

UNLESS OTHERWISE SPECIFIED,
 DIMENSIONAL TOLERANCES ARE:

(.X) ± (.XXX) ±
 (.XX) ± .03 (.8) ANGLES ±

UNLESS OTHERWISE SPECIFIED,
 ALL DIMENSIONS ARE GIVEN IN
 INCHES, THIRD ANGLE PROJECTION.

DRAWN BY: JHNU
 DATE: 5-11-00
 CHK'D: SMF

MAT'L:

ABS

SCALE: NONE

DRAWING NO.: 37185-84

DWG SIZE: A

REV	DATE	BY	CHK	DESCRIPTION	ECN	R	CUST	SUP	GMBH
-	-----	---	---	H. REVISED GENERAL NOTES G. REVISED PART WEIGHT	-----	--	--		
3	7-14-06	DTP	RN	F. REVISED CAD FILENAME E. REVISED AND REDRAWN	37185-84	RN	RN		