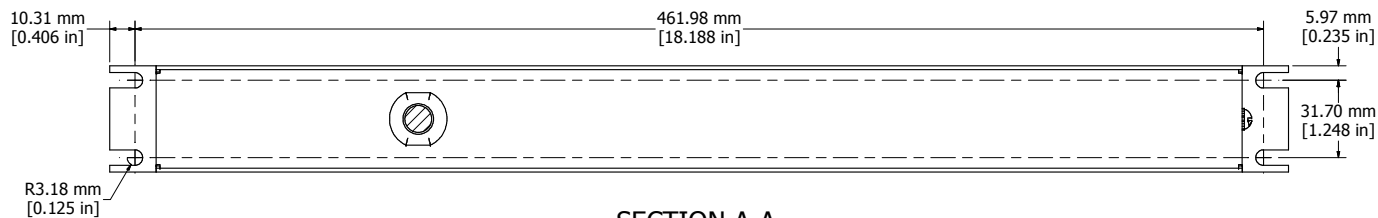
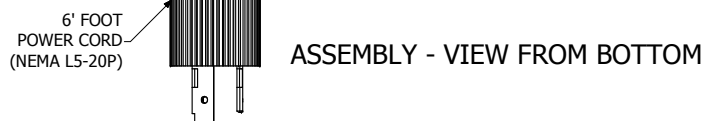
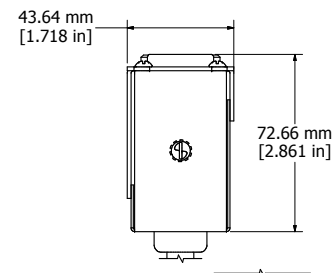
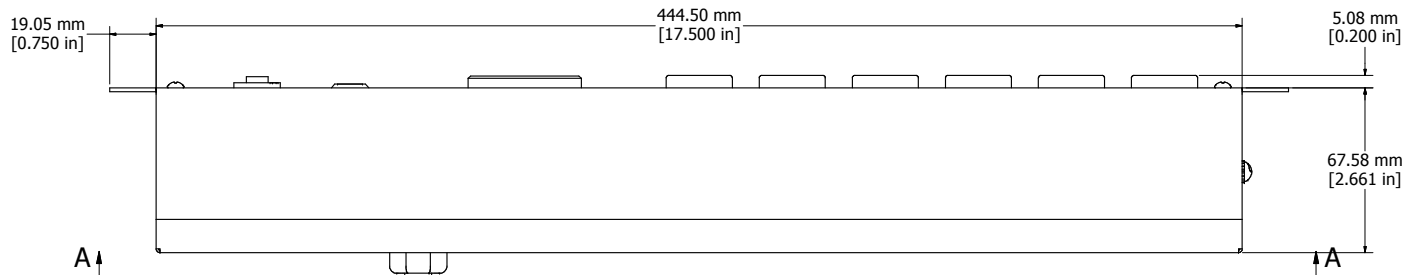
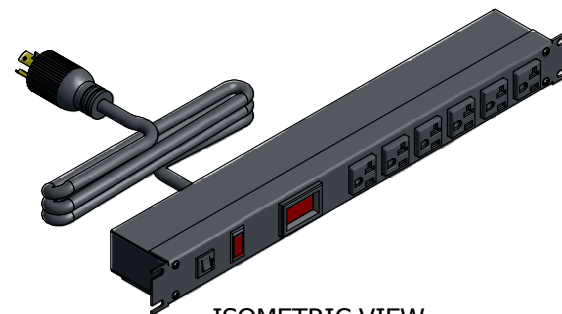
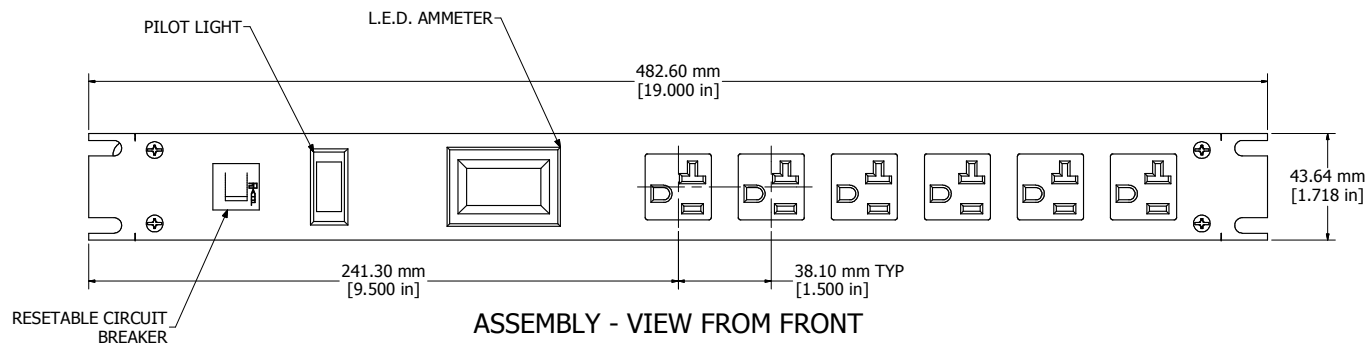


8 | 7 | 6 | 5 | 4 | 3 | 2 | 1



1589T6C1BKRFAM

Finish - Front - Black Painted Steel

Back - Black Painted Steel

Rated - 125 VAC, 60 Hz, 20 Amps

Approvals - CSA Certified Standards C22.2 (No. 21-95, 42-99)

- UL Recognized Standard UL1363

Cord Length

1589T6C1BKRFAM - 6' Foot Power Cord (NEMA L5-20P)



**HAMMOND
MANUFACTURING™**

1589T6C1BKRFAM

www.hammondmfg.com

8 | 7 | 6 | 5 | 4 | 3 | 2 | 1