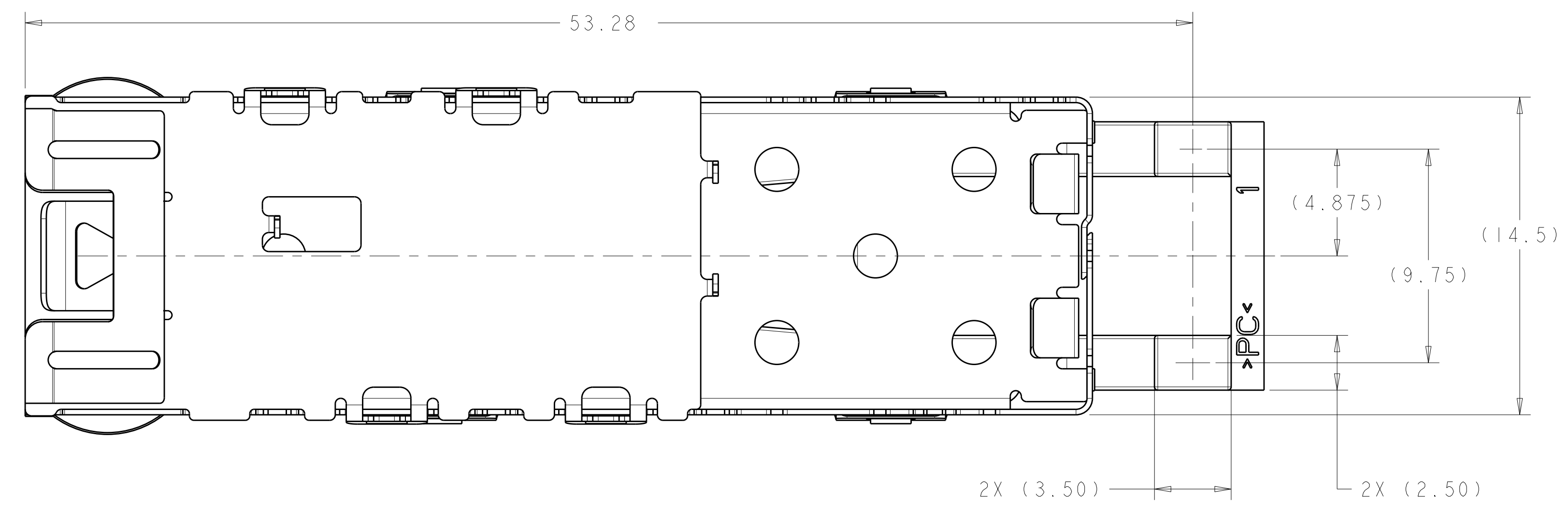
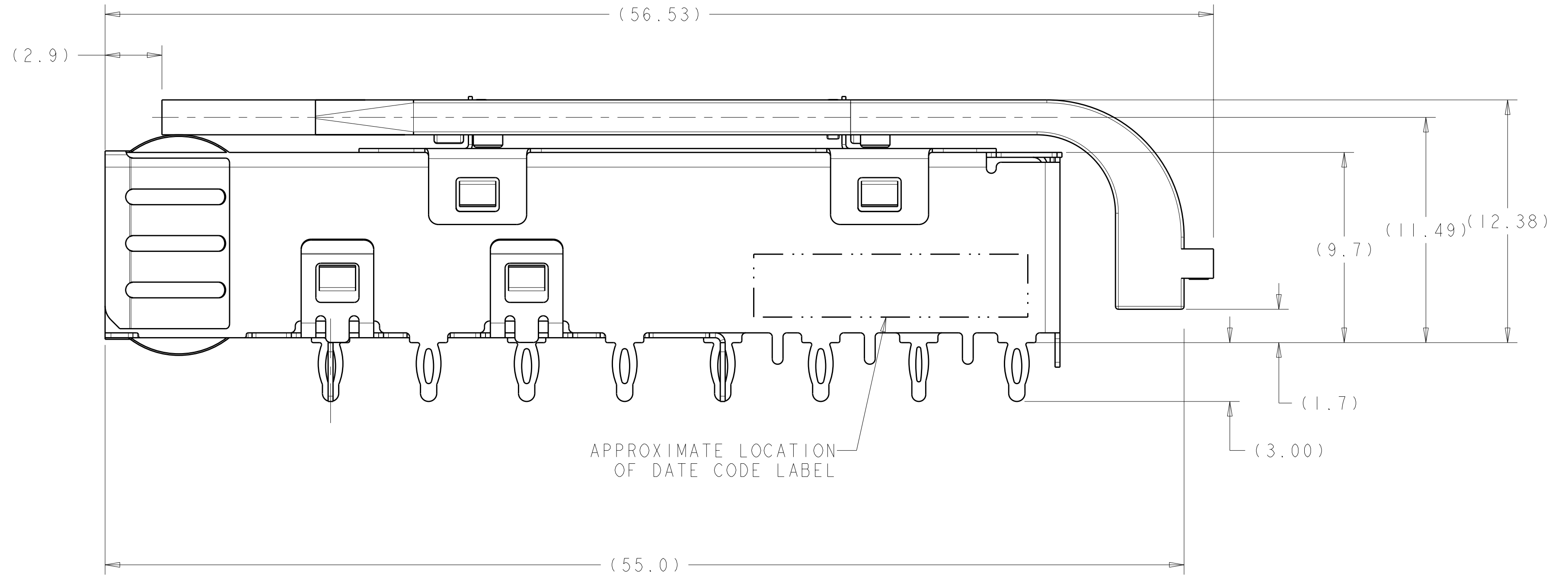
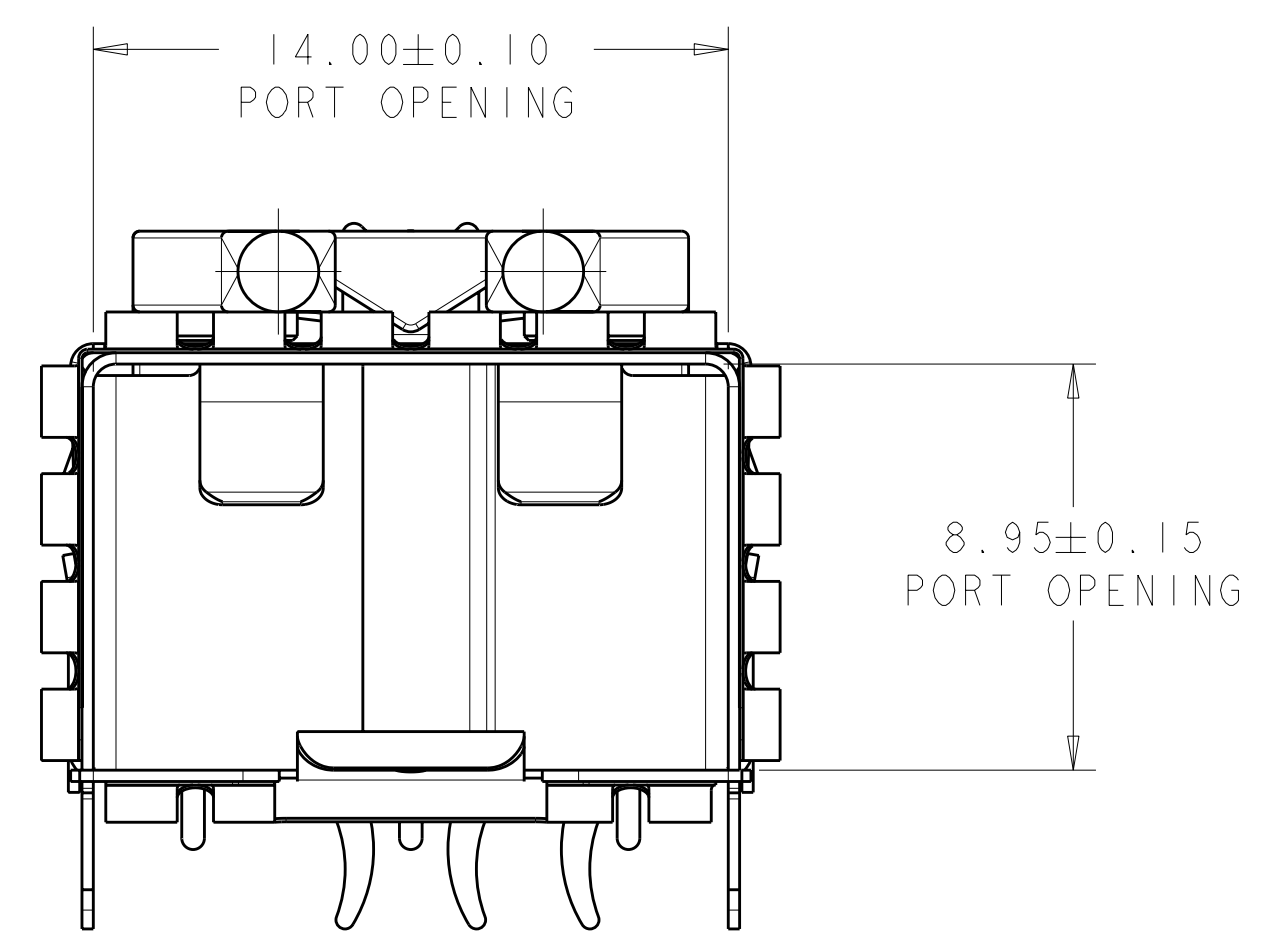
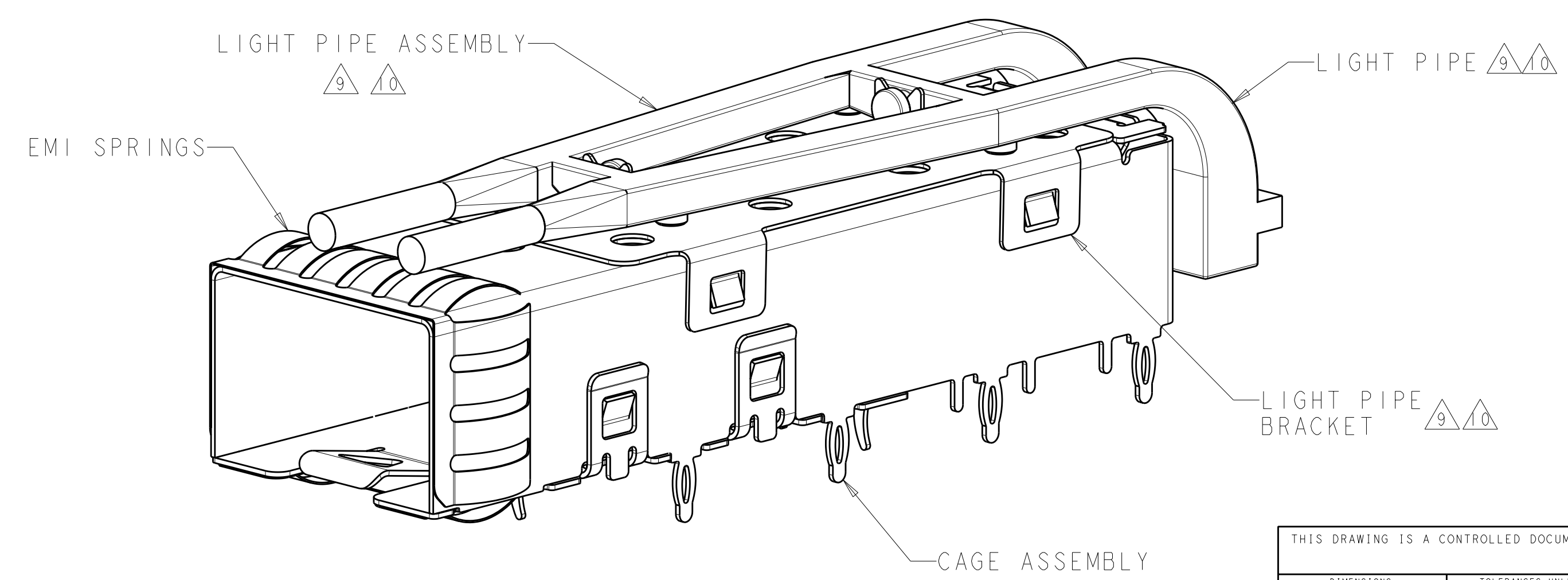


LOC	DIST	REV	DATE	BY	APPV
GP	00	1	18NOV2011	JY	AC
		2	28NOV2011	JY	AC



- 1 MATERIAL:
 CAGE ASSEMBLY - 0.25 THICK NICKEL-SILVER ALLOY.
 EMI SPRINGS - COPPER ALLOY.
 LIGHT PIPE - POLYCARBONATE, CLEAR.
 LIGHT PIPE BRACKET - STAINLESS STEEL.
- 2 FINISH:
 EMI SPRINGS - 0.8um MIN MATTE TIN OVER 0.8um MIN NICKEL
 NON-PLATED EDGES PERMISSIBLE.
- 3. MATES WITH SFP MSA COMPLIANT TRANSCEIVERS.
- 4 PADS AND VIAS CHASSIS GROUND.
- 5 DATUM AND BASIC DIMENSION ESTABLISHED BY CUSTOMER.
- 6. MINIMUM PC BOARD THICKNESS:
 SINGLE SIDED: 1.50mm
 DOUBLE SIDED: 3.00mm
- 7 REFERENCE APPLICATION SPEC. 114-13120, HOLE A, FOR
 RECOMMENDED DRILL HOLE DIAMETER AND PLATING THICKNESS.
- 8 REFERENCE APPLICATION SPEC. 114-13120, HOLE C, FOR
 RECOMMENDED DRILL HOLE DIAMETER AND PLATING THICKNESS.
 INTO PCB PRIOR TO ATTACHING THE LIGHTPIPE ASSEMBLY
 TO THE CAGE.
- 9 LIGHT PIPE ASSEMBLY SHIPPED UNASSEMBLED TO CAGE ASSEMBLY.
 CAGE ASSEMBLY TO BE PRESSED INTO PCB PRIOR TO ATTACHING
 THE LIGHT PIPE ASSEMBLY TO THE CAGE.
- 10 LIGHT PIPE AND LIGHT PIPE BRACKET SHIPPED ASSEMBLED.



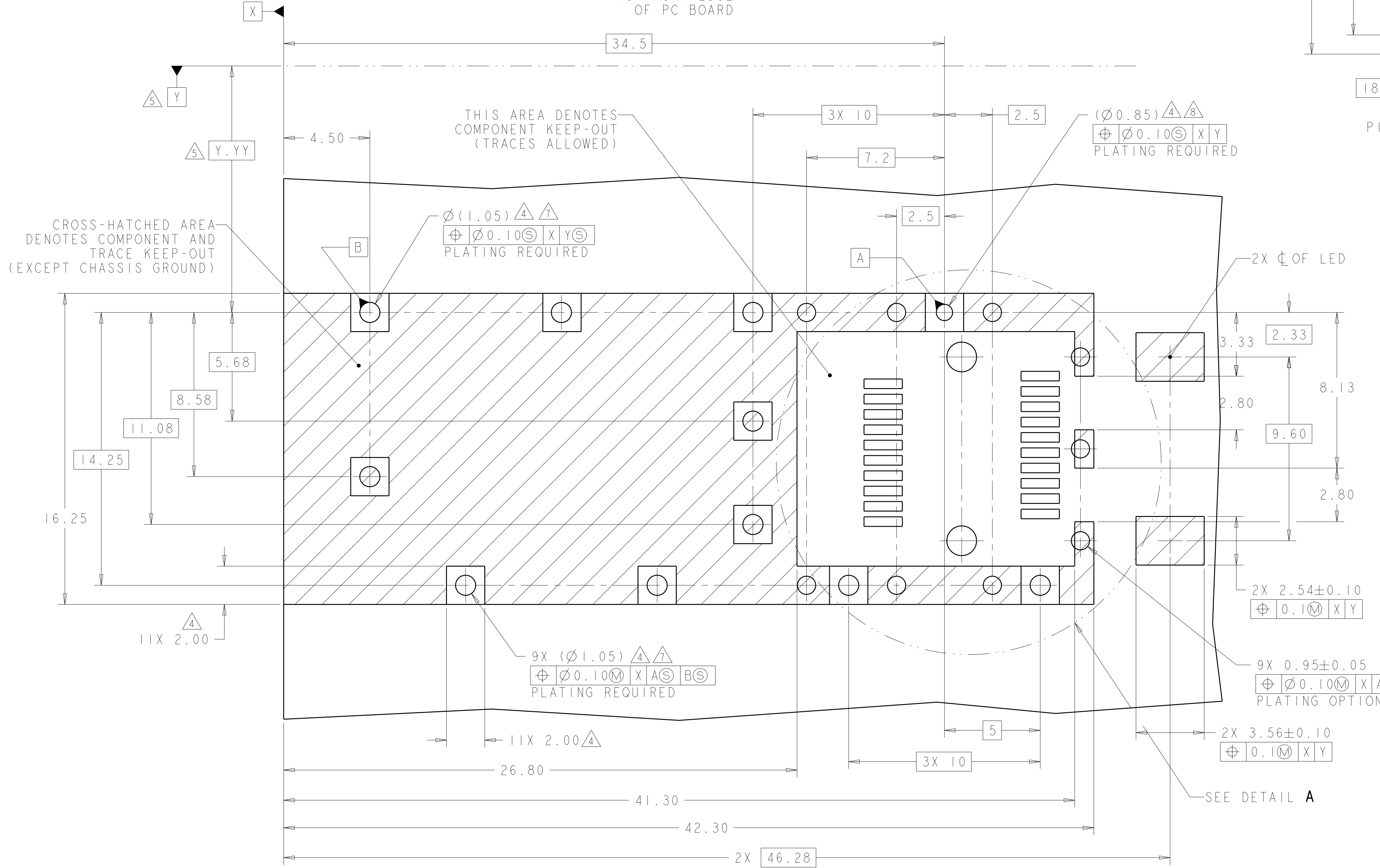
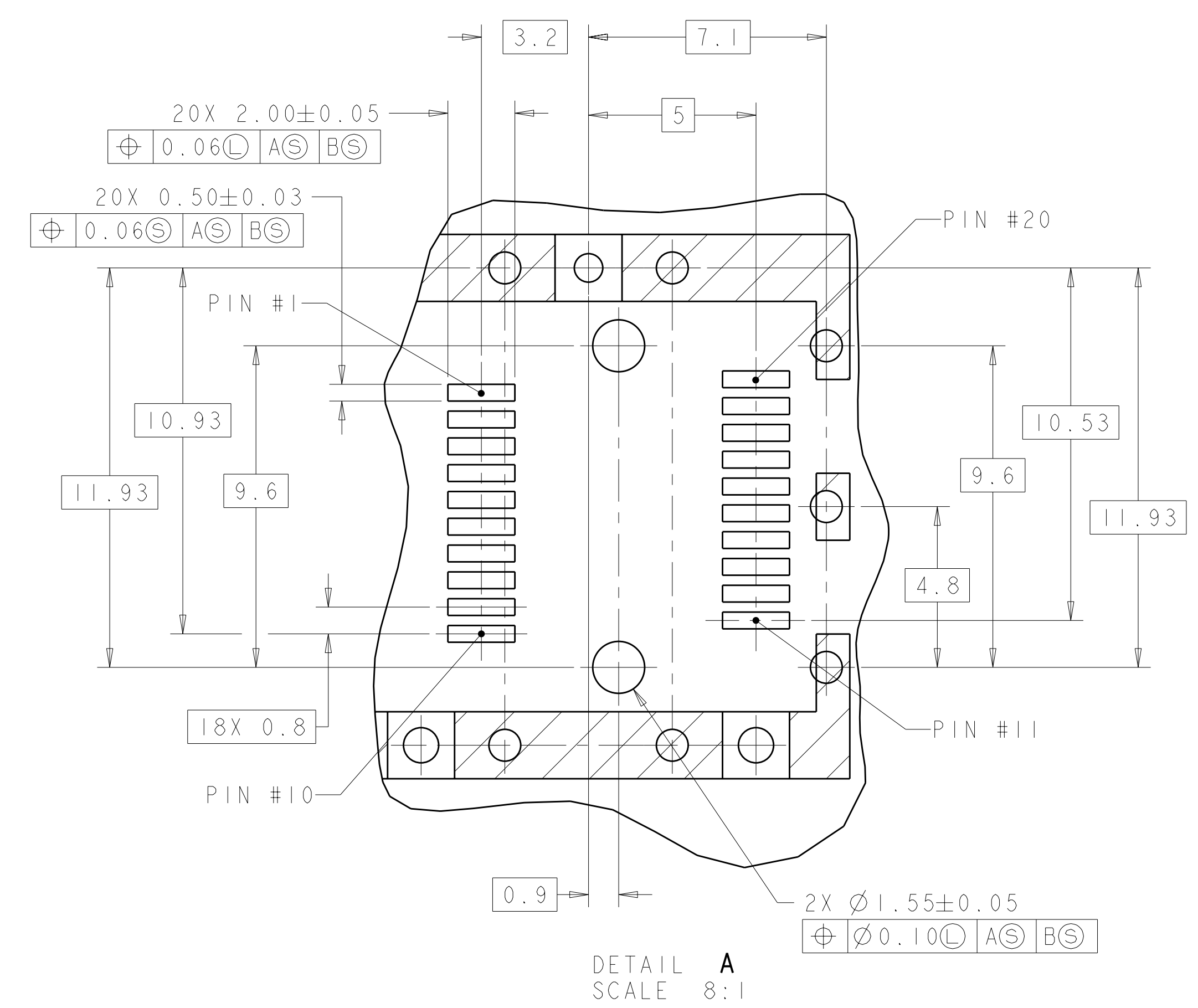
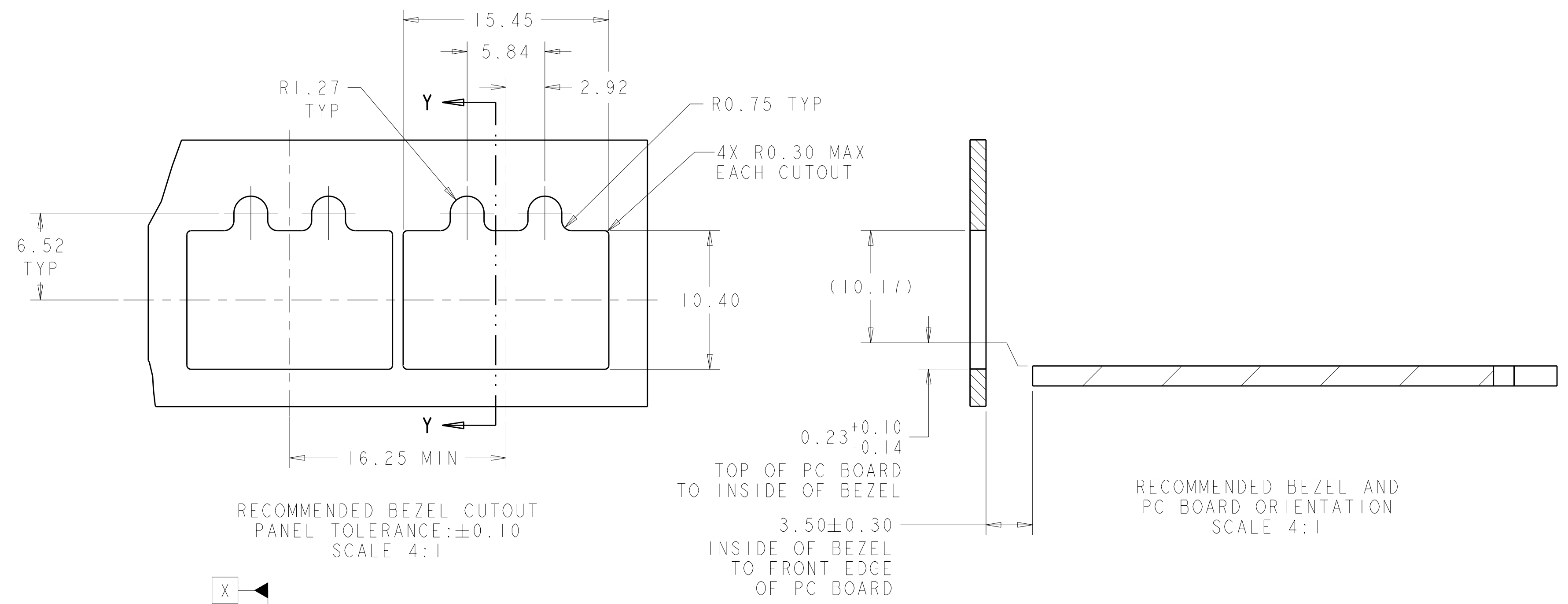
DESIGN APPROVED THIS PRINT IS
PRELIMINARY
 TO FIRST PIECE APPROVAL
 CONTACT PRODUCT ENGINEERING
 BEFORE USING THIS PRINT

2170193-1
 PART
 NUMBER

2170193-1
 SHOWN ASSEMBLED
 SCALE 5:1

THIS DRAWING IS A CONTROLLED DOCUMENT.		DWN: JASON YANG 18NOV2011	APV: AILEY CAI 18NOV2011	NAME: SFP FIXTURE CAGE ASSEMBLY WITH LIGHT PIPES
DIMENSIONS:	TOLERANCES UNLESS OTHERWISE SPECIFIED:	108-2364	114-13120	SIZE: CAGE CODE: DRAWING NO: A100779C=2170193
mm	9 PLC ±0.2 1 PLC ±0.2 5 PLC ±0.2 4 PLC ± ANGLES ±	108-2364	114-13120	RESTRICTED TO
MATERIAL:	FINISH:	WEIGHT:	CUSTOMER DRAWING	SCALE: 3:1 SHEET 1 OF 2 REV 2

LOC	DIST	REV	DATE	BY	APPD
GP	00				
DESCRIPTION		DATE	DWN	APPD	
SEE SHEET 1					



RECOMMENDED PCB LAYOUT PCB TOLERANCE: ±0.05 SCALE 8:1

THIS DRAWING IS A CONTROLLED DOCUMENT.		DWN: JASON YANG 18NOV2011	TE Connectivity NAME: SFP+ 1X1 CAGE ASSEMBLY PRESS-FIT, EXTERNAL EMI SPRINGS, WITH LIGHT PIPES SIZE: CAGE CODE DRAWING NO: A100779C=2170193 RESTRICTED TO:
DIMENSIONS: mm		CHK: ALEX CAI 18NOV2011	
TOLERANCES UNLESS OTHERWISE SPECIFIED:		APPD: ALEX CAI 18NOV2011	
9 PLC ±0.2 1 PLC ±0.2 3 PLC ±0.2 5 PLC ±0.2 4 PLC ± ANGLES ±		PRODUCT SPEC: 108-2364 APPLICATION SPEC: 114-13120 WEIGHT:	
MATERIAL: FINISH:		CUSTOMER DRAWING SCALE: 3:1 SHEET 2 OF 2 REV 2	