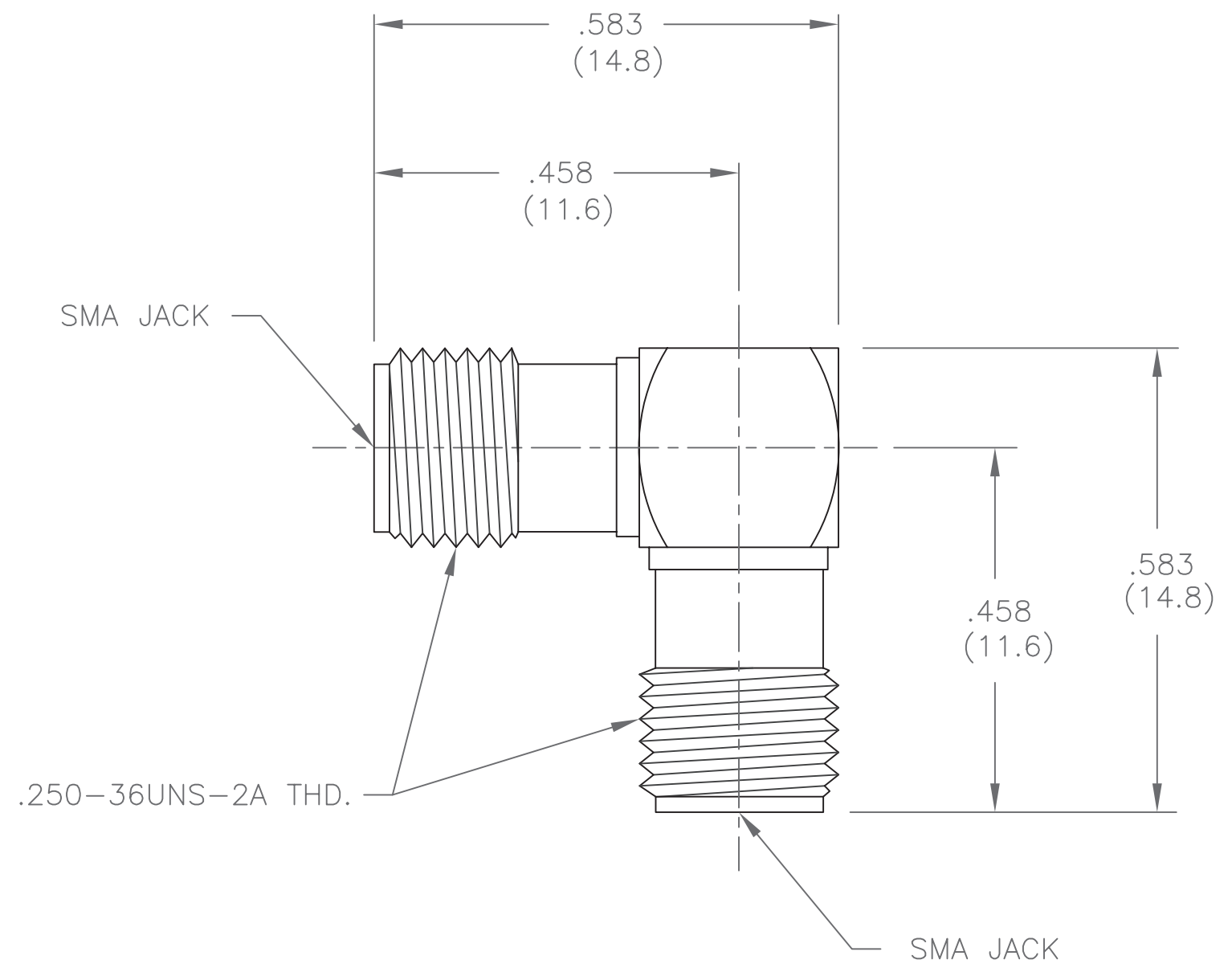


MODEL NUMBER
ADT-8000-FF-SMA-02


NOTES:

- 1.0 MATERIALS:
 - 1.1 HOUSING: STAINLESS STEEL PER ASTM-A-582, TYPE 303.
 - 1.2 CENTER CONTACT: BERYLLIUM COPPER ROD ALLOY C172, PER ASTM-B196.
 - 1.3 DIELECTRIC: PTFE FLUOROCARBON PER ASTM-D1457.
- 2.0 PLATING:
 - 2.1 HOUSING: PASSIVATED PER QQ-P-35 AND MIL-F-14072.
 - 2.2 CENTER CONTACT: GOLD PER MIL-G-45204 TYPE II, CLASS 2
- 3.0 MECHANICAL:
 - 3.1 INTERFACE PER MIL-STD-348 IN ACCORDANCE WITH MIL-A-55339.
 - 3.2 CENTER CONTACT CAPTURED IN ACCORDANCE WITH MIL-A-55339.
- 4.0 DIMENSIONS IN PARENTHESIS ARE MILLIMETERS.
- 5.0 ELECTRICAL:
 - 5.1 FREQUENCY RANGE: DC to 18.0 GHz
 - 5.2 VSWR: 1.05 + .010f(GHz)

ALL OTHER MECHANICAL, ELECTRICAL, AND ENVIRONMENTAL CHARACTERISTICS ARE IN ACCORDANCE WITH MIL-A-55339/2.



DATE	11/9/94	3/17/05
DESCRIPTION	RELEASED	ADDED TITLEBLOCK
REV.	-	-1

NOTICE: The information contained in this drawing is proprietary and must not be used without the permission of Cinch Connectivity Solutions. UNLESS OTHERWISE NOTED DIMENSIONS ARE IN INCHES AND TOLERANCES ARE: 3 PLACE DECIMALS ±.005 2 PLACE DECIMALS ±.02 FRACTIONS ±1/64 PARALLELITY: T.I.R. _____ FLATNESS: T.I.R. _____ CONCENTRICITY: T.I.R. _____ ANGLES AND PERPENDICULARITY: ±1°	CAGE CODE 34078	MIDWEST MICROWAVE	
		TITLE ADAPTER SMA RIGHT ANGLE JACK TO SMA JACK OUTLINE DRAWING	
DRAWN/DATE M.HOLLMAN 11/8/94	ENG./DATE A.OSGA 11/8/94	DRAWING NUMBER ADT-8000-FF-SMA-02-01	REV. -1
CHECKED/DATE A.BEATTY 11/8/94	APPROVED/DATE	SCALE: 5=1	SHEET 1 of 1