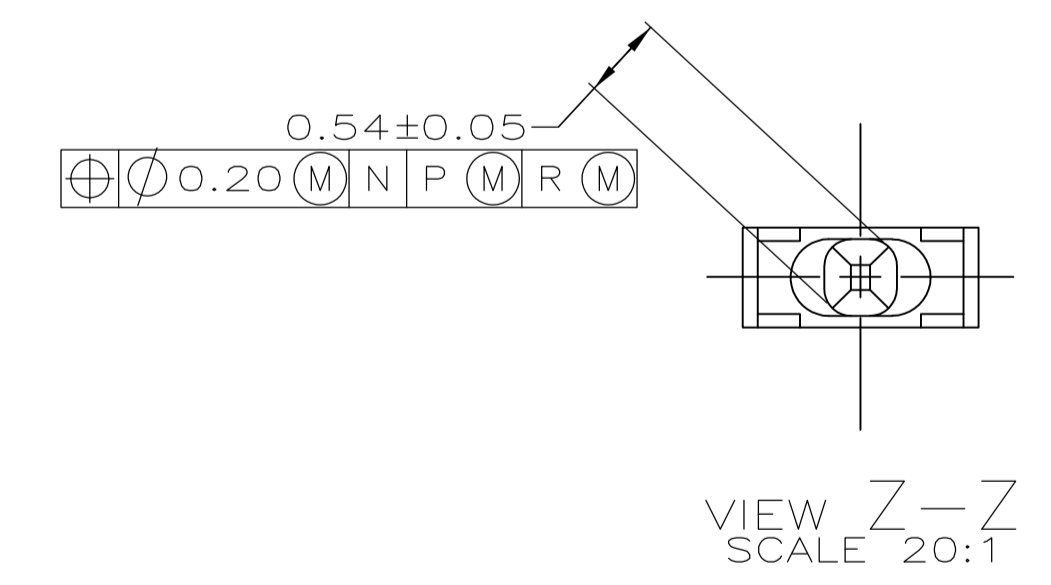


RECOMMENDED CIRCUIT PATTERN
 PER IPC-D300 TYPE II, CLASS C
 (COMPONENT SIDE)

- △ HOUSING MATERIAL: LIQUID CRYSTAL POLYMER.
COLOR: NATURAL.
- △ CONTACT MATERIAL: PHOSPHOR BRONZE.
- △ CONTACT FINISH:(B)
UNDERPLATE (ENTIRE CONTACT):
0.00127 MIN NICKEL PER SAE-AMS-QQ-N-290
ON MATING SURFACES:
CONFORMS TO ALL TESTING SPECIFIED FOR TELCORDIA
UNCONTROLLED ENVIRONMENT.
ON LEADS:
0.0006 MIN MATTE TIN PER ASTM B 545 OVER UNDERPLATE.
LUBRICATION (MIN MATING SURFACES):
SURFACE CONDITIONER AFTER PLATING.
- △ PART MARKING, LOCATED APPROXIMATELY AS SHOWN.
- 5. SEE SHEET 2 FOR SEQUENCING CHARTS.
- △ DIMENSION APPLIES WHEN SEATED ON PRINTED CIRCUIT BOARD.
- △ OBSOLETE PARTS: OBSOLETE CIS STREAMLINING PER D.RENAUD/D.SINISI



THIS DRAWING IS A CONTROLLED DOCUMENT.		DIN B MCMMASTER 150EC04	Tyco Electronics Corporation Harrisburg, Pa 17105-3608
		CHK R WERTZ 150EC04	
DIMENSIONS: mm		APVD R WERTZ 150EC04	NAME
TOLERANCES UNLESS OTHERWISE SPECIFIED:		PIN ASSY,SIGNAL MODULE,Z-PACK 2mm FB, 4 ROW,48 POSN,PRESS FIT LEADS WITH SEQUENCING	
0 PLC ± -		APPLICATION SPEC	
1 PLC ± -		SIZE CAGE CODE DRAWING NO	
2 PLC ± 0.13		A1 00779 C=5223611	
3 PLC ± -		RESTRICTED TO	
4 PLC ± -		CUSTOMER DRAWING	
ANGLES ± -		SCALE 4:1 SHEET 1 OF 2 REV C	
MATERIAL		WEIGHT	
FINISH			

D	-	-	E	E	-	-	E	E	E	E	E	E	D
C	E	E	E	E	E	E	E	E	E	E	E	E	C
B	E	E	E	E	E	E	E	E	E	E	E	E	B
A	-	-	-	-	-	N	N	N	N	T	T	A	A
ROW	1	2	3	4	5	6	7	8	9	10	11	12	ROW

CONTACT LOAD CHART

5223611-1

PART NUMBER

D	E	E	E	E	E	E	E	E	E	E	E	E	D
C	E	E	E	E	E	E	E	E	E	N	E	E	C
B	E	E	E	E	E	E	E	E	E	N	E	E	B
A	E	E	E	E	E	E	E	E	E	N	E	E	A
ROW	1	2	3	4	5	6	7	8	9	10	11	12	ROW

CONTACT LOAD CHART

2-5223611-8

PART NUMBER

Y	3	7.25	13.60
X	3	6.50	13.60
J	3	6.50	4.25
A	3	5.00	4.25
SS	3	8.00	13.60
UU	3	5.75	13.60
T	3	8.00	4.25
N	3	7.25	4.25
E	3	5.75	4.25
CONTACT LETTER		DIM Y	DIM Z

D	U	U	U	U	S	S	S	S	U	U	U	S	S	S	S	D
C	U	U	U	U	S	S	S	S	U	U	U	S	S	S	S	C
B	U	U	U	U	S	S	S	S	U	U	U	S	S	S	S	B
A	U	U	U	U	S	S	S	S	U	U	U	S	S	S	S	A
ROW	1	2	3	4	5	6	7	8	9	10	11	12	ROW			

CONTACT LOAD CHART

5223611-2

PART NUMBER

D	E	E	E	E	E	E	J	J	E	N	N	D	
C	E	E	E	E	E	E	J	J	E	N	N	C	
B	E	E	E	E	E	E	J	J	E	N	N	B	
A	E	E	E	E	E	E	J	J	E	N	N	A	
ROW	1	2	3	4	5	6	7	8	9	10	11	12	ROW

CONTACT LOAD CHART

2-5223611-9

PART NUMBER

D	T	A	A	A	A	T	A	T	A	T	A	T	D
C	J	A	A	A	A	T	T	A	T	A	T	A	C
B	J	A	A	A	A	T	A	T	A	T	A	T	B
A	J	A	A	A	A	T	T	A	T	A	T	A	A
ROW	1	2	3	4	5	6	7	8	9	10	11	12	ROW

CONTACT LOAD CHART

5223611-3

PART NUMBER

D	E	E	E	E	E	N	E	E	E	E	E	D	
C	E	E	E	E	E	N	E	E	E	E	E	C	
B	E	E	E	E	E	N	E	E	E	E	E	B	
A	E	E	E	E	E	N	E	E	E	E	E	A	
ROW	1	2	3	4	5	6	7	8	9	10	11	12	ROW

CONTACT LOAD CHART

3-5223611-0

PART NUMBER

D	A	A	A	A	A	A	A	A	A	A	A	A	D
C	A	A	A	A	A	A	A	A	A	A	A	A	C
B	J	J	J	J	J	J	J	J	J	J	J	J	B
A	A	A	A	A	A	A	A	A	A	A	A	A	A
ROW	1	2	3	4	5	6	7	8	9	10	11	12	ROW

CONTACT LOAD CHART

5223611-4

PART NUMBER

D	U	U	U	U	U	U	U	U	U	U	U	Y	U	U	D
C	U	U	U	U	U	U	U	U	U	U	U	Y	U	U	C
B	U	U	U	U	U	U	U	U	U	U	U	Y	U	U	B
A	U	U	U	U	U	U	U	U	U	U	U	Y	U	U	A
ROW	1	2	3	4	5	6	7	8	9	10	11	12	ROW		

CONTACT LOAD CHART

3-5223611-1

OBSOLETE

PART NUMBER

D	T	J	J	J	J	J	J	J	J	J	T	D	
C	T	J	J	J	J	J	J	J	J	J	T	C	
B	T	J	J	J	J	J	J	J	J	J	T	B	
A	T	J	J	J	J	J	J	J	J	J	T	A	
ROW	1	2	3	4	5	6	7	8	9	10	11	12	ROW

CONTACT LOAD CHART

5223611-5

PART NUMBER

D	U	U	U	U	U	U	U	X	X	U	Y	Y	D
C	U	U	U	U	U	U	U	X	X	U	Y	Y	C
B	U	U	U	U	U	U	U	X	X	U	Y	Y	B
A	U	U	U	U	U	U	U	X	X	U	Y	Y	A
ROW	1	2	3	4	5	6	7	8	9	10	11	12	ROW

CONTACT LOAD CHART

3-5223611-2

OBSOLETE

PART NUMBER

D	SS	X	X	X	X	X	SS	D					
C	SS	X	X	X	X	X	SS	C					
B	SS	X	X	X	X	X	SS	B					
A	SS	X	X	X	X	X	SS	A					
ROW	1	2	3	4	5	6	7	8	9	10	11	12	ROW

CONTACT LOAD CHART

5223611-7

PART NUMBER

D	Y	U	U	U	U	U	U	U	U	U	G	U	U	D
C	Y	U	U	U	U	U	U	U	U	U	Y	U	U	C
B	Y	U	U	U	U	U	U	U	U	U	Y	U	U	B
A	Y	U	U	U	U	U	U	U	U	U	Y	U	U	A
ROW	1	2	3	4	5	6	7	8	9	10	11	12	ROW	

CONTACT LOAD CHART

3-5223611-3

OBSOLETE

PART NUMBER

D	X	X	X	X	X	X	X	X	X	X	X	D	
C	X	X	X	X	X	X	X	X	X	X	X	C	
B	X	X	X	X	X	X	X	X	X	X	X	B	
A	X	X	X	X	X	X	X	X	X	X	X	A	
ROW	1	2	3	4	5	6	7	8	9	10	11	12	ROW

CONTACT LOAD CHART

5223611-8

PART NUMBER

D	J	J	J	J	E	N	E	N	E	N	E	D	
C	J	J	J	J	E	N	E	N	E	N	E	C	
B	J	J	J	J	J	J	J	J	J	J	J	B	
A	J	J	J	J	J	J	J	J	J	J	J	A	
ROW	1	2	3	4	5	6	7	8	9	10	11	12	ROW

CONTACT LOAD CHART

3-5223611-4

PART NUMBER

D	E	E	E	E	E	E	E	E	E	T	D		
C	E	E	E	E	E	E	E	E	E	E	C		
B	N	E	E	E	E	E	E	E	E	N	B		
A	E	E	E	E	E	E	E	E	E	T	A		
ROW	1	2	3	4	5	6	7	8	9	10	11	12	ROW

CONTACT LOAD CHART

5223611-9

PART NUMBER

D	N	N	J	J	N	N	N	N	E	E	D		
C	N	N	J	J	N	N	N	N	E	E	C		
B	N	N	J	J	N	N	N	N	E	E	B		
A	N	N	J	J	N	N	N	N	E	E	A		
ROW	1	2	3	4	5	6	7	8	9	10	11	12	ROW

CONTACT LOAD CHART

3-5223611-5

PART NUMBER

D	T	J	J	J	J	T	D						
C	T	J	J	J	J	T	C						
B	T	J	J	J	J	T	B						
A	T	J	J	J	J	T	A						
ROW	1	2	3	4	5	6	7	8	9	10	11	12	ROW

CONTACT LOAD CHART

1-5223611-6

PART NUMBER

D	E	E	E	E	E	E	E	E	E	D			
C	E	E	E	E	E	E	E	E	E	C			
B	E	E	E	E	E	E	E	E	E	B			
A	N	N	N	N	T	T	N	N	N	T	A		
ROW	1	2	3	4	5	6	7	8	9	10	11	12	ROW

CONTACT LOAD CHART

3-5223611-7

OBSOLETE

PART NUMBER

THIS DRAWING IS A CONTROLLED DOCUMENT.		DIN B MCMMASTER 150EC04	Tyco Electronics Corporation Harrisburg, Pa 17105-3608
		CIK R WERTZ 150EC04	
DIMENSIONS: mm	TOLERANCES UNLESS OTHERWISE SPECIFIED:	APVD R WERTZ 150EC04	NAME
	0. PLC ± - 1. PLC ± - 2. PLC ± 0.13 3. PLC ± - 4. PLC ± - ANGLES ± -	PRODUCT SPEC	PIN ASSY,SIGNAL MODULE,Z-PACK 2mm FB, 4 ROW,48 POSN,PRESS FIT LEADS WITH SEQUENCING
MATERIAL SEE SHEET 1	FINISH SEE SHEET 1	APPLICATION SPEC	RESTRICTED TO
		WEIGHT	SIZE CASE CODE DRAWING NO
			A1 00779 C=5223611
		CUSTOMER DRAWING	SCALE 4:1 SHEET 2 OF 2 REV C