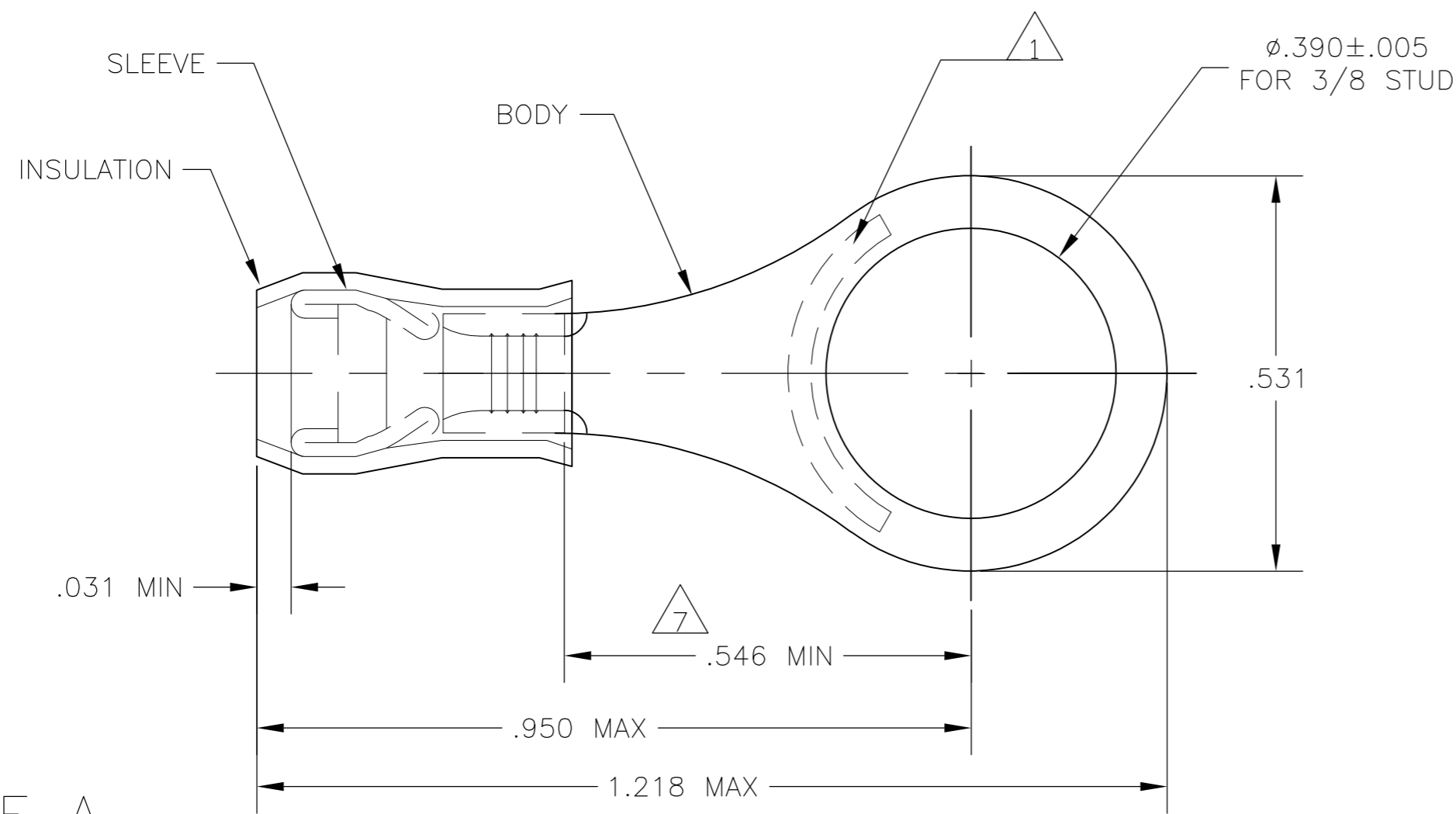


THIS DRAWING IS UNPUBLISHED. RELEASED FOR PUBLICATION
 © COPYRIGHT - By - ALL RIGHTS RESERVED.

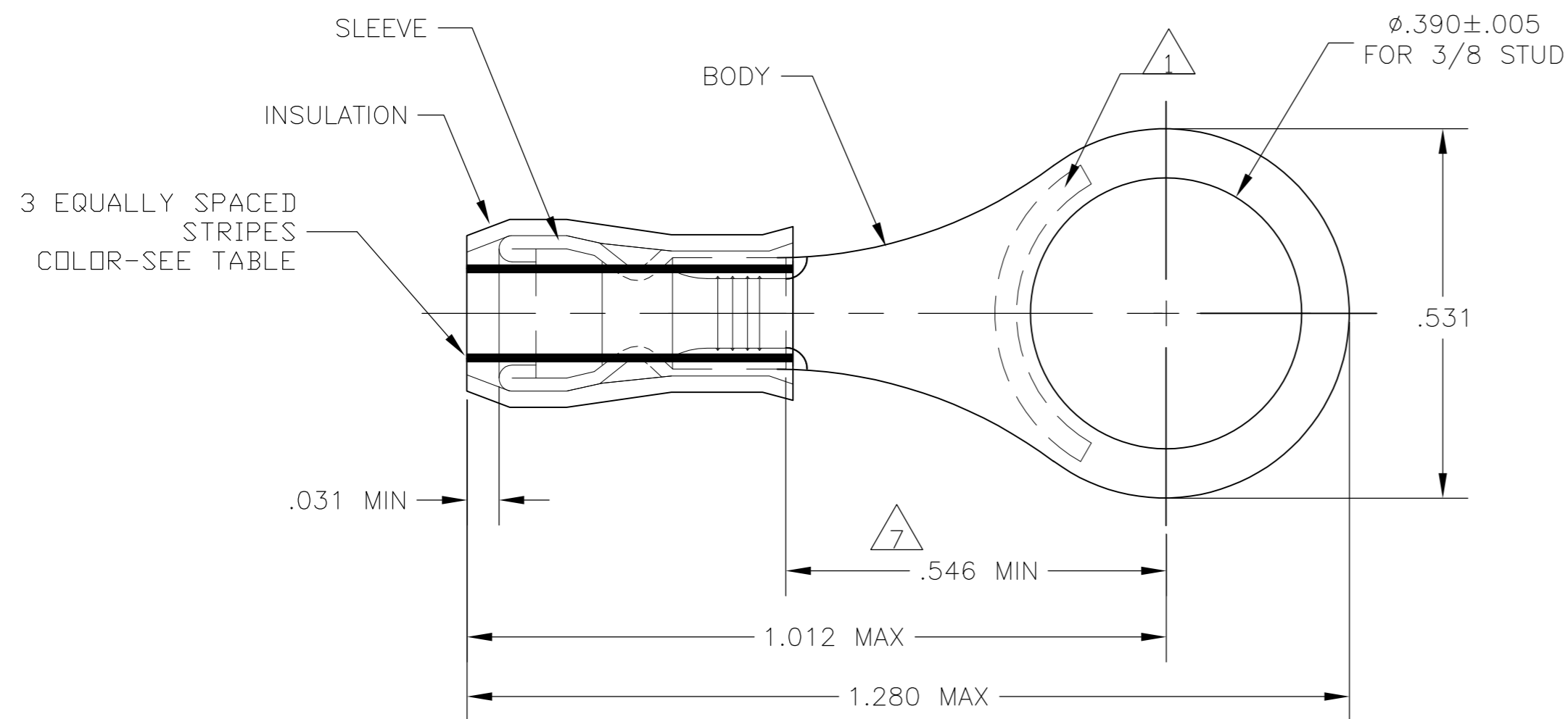
LOC	DIST	REVISIONS					
		P	LTR	DESCRIPTION	DATE	DWN	APVD
G	14	M2		REVISED PER ECO-11-004917	11MAR11	RK	HMR

AMP WIRE RANGE	E13288 Listed	LR7189 Certified
16-14 AWG SOLID OR STRANDED	16-14 AWG SOLID OR STRANDED	16-14 AWG SOLID OR STRANDED



- 1 STAMP "AMP - SEE TABLE" APPROX AS SHOWN
- 2 WIRE INSULATION DIA: SEE TABLE
- 3 TONGUE MATERIAL THK: .031±.002
- 4 BODY: TIN PLATE .000100 MIN EXT THK PER ASTM B545
- 5 SLEEVE: TIN PLATE .000100 MIN EXT THK PER ASTM B545
- 6 BODY & SLEEVE- CU PER ASTM B152 INSULATION - NYLON PER ASTM D4066 COLOR - BLUE
- 7 APPLIES FROM EDGE OF METAL WIRE BARREL TO CENTER OF STUD HOLE.
- 8 MEETS MS25036-110, CLASS 1 & 2
- 9 MEETS M7928/1-45, CLASS 1 & 2
- 10 MEETS M7928/1-54, CLASS 1 & 2

STYLE A



STYLE B
INSULATION RESTRICTING

QTY	PACKAGE TYPE	STAMPING	WIRE INSUL DIA	WIRE SIZE	STRIPE COLOR	STYLE	BODY FINISH	SLEEVE FINISH	PART NO
100	LOOSE PIECE, BOX	16-14	.105-.150	16-14	--	A			8-320564-1
500	320564 ON TAPE	16-14	.105-.150	16-14	--	A	4	5	2-320564-3
500	LOOSE PIECE	14	.078-.130	14	GREEN	B			10 2-320564-2
500	LOOSE PIECE	16	.063-.130	16	BLUE	B			9 2-320564-1
500	LOOSE PIECE	16-14	.105-.150	16-14	--	A			8 320564

CUSTOMER SERVICE SYSTEMS		MAX RECOMMENDED OPERATING TEMPERATURE: 105°C MAX	THIS DRAWING IS A CONTROLLED DOCUMENT.		DWN JR RUTH 13JAN10	TE Connectivity
FOR ADDITIONAL PRODUCT INFORMATION OR COPIES OF DRAWINGS AND TECHNICAL DOCUMENTS	PRODUCT INFORMATION CENTER 1-800-522-6752	VOLTAGE RATING: 300 VOLT MAX	DIMENSIONS: INCHES	TOLERANCES UNLESS OTHERWISE SPECIFIED: 0 PLC ± - 1 PLC ± - 2 PLC ± - 3 PLC ± .008 4 PLC ± -	CHK T MICHIELUTTI 13JAN10	
FOR APPLICATION TOOLING INFORMATION	TOOLING ASSISTANCE CENTER 1-800-722-1111	CIRCULAR MIL AREA: 1.04-2.62mm² [2,050-5,180] STRANDED OR SOLID		MATERIAL	APVD T MICHIELUTTI 13JAN10	TERMINAL, RING TONGUE, PIDG WIRE SIZE: 16-14 AWG
FOR ORDER ENTRY	1-800-526-5142	THIS DRAWING IS A CONTROLLED DOCUMENT FOR AMP INCORPORATED. IT IS SUBJECT TO CHANGE AND THE CONTROLLING ENGINEERING ORGANIZATION SHOULD BE CONTACTED FOR THE LATEST REVISION.		FINISH	APPLICATION SPEC	SIZE A2
					WEIGHT	CAGE CODE 00779
					CUSTOMER DRAWING	DRAWING NO C-320564
						RESTRICTED TO
					SCALE 5:1	SHEET 1 of 1
						REV M2