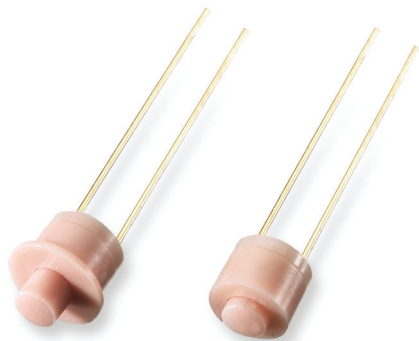


model 2800

MINIATURE PUSH BUTTON

technical datasheet



> features <

- “Lead-in” feature on housing improves installation
- Reduced travel driver available
- Gold-plated flexible leads
- SPST normally open

> specifications <

Mechanical Data

Switch Operation Force See Driver Force Options
Pull Strength of Terminals >600 cN
Bending of Terminals >2 cycles 90°; min. 0.5 mm
(0.02 in.) from base/housing
Life Cycle Expectancy >100,000 cycles

Electrical Data

Switch Contact Resistance <150 mΩ
Insulation Resistance 1 MΩ
Max. Continuous Current 500 mA

Environmental Data

Solderability 260°C/(500°F) for 3 sec. or
315°C/(600°F) for 1 sec.
Storage Temperature -40°C to 70°C
Operating Temperature -40°C to 70°C

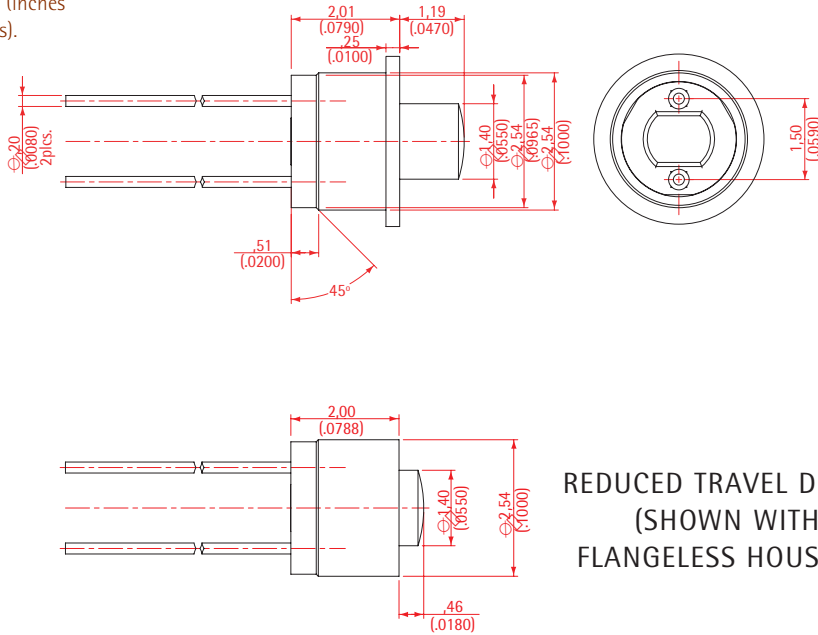
Construction

Contact Material Gold-plated copper alloy
Housing Polyamide
Terminal Gold-plated
Springs Stainless steel

Specifications subject to change.

dimensions

Dimensions shown in millimeters (inches in parentheses).



REDUCED TRAVEL DRIVER (SHOWN WITH FLANGELESS HOUSING)

II driver style

- [1] STANDARD
- [2] REDUCED TRAVEL
- [3] STANDARD WITH CAP

III driver force

- [1] 75-150cN
- [2] 35-60cN

> ordering <

How to order— Using the chart below, determine your order number by finding the correct sequence of code numbers and/or letters as shown at right. Details on each parameter can be found within the brochure in the section with the corresponding roman numeral.

	model	body style	driver style	driver force	color	special
	I	II	III	IV	V	
2800	X	X	X	XX	X	

PARAMETER	YOUR CHOICE	GUIDELINES/NOTES
I body style		[F] Flanged [U] Flangeless
II driver style		
III driver force		
IV color		See catalog
V special		[S] Standard [X] Special