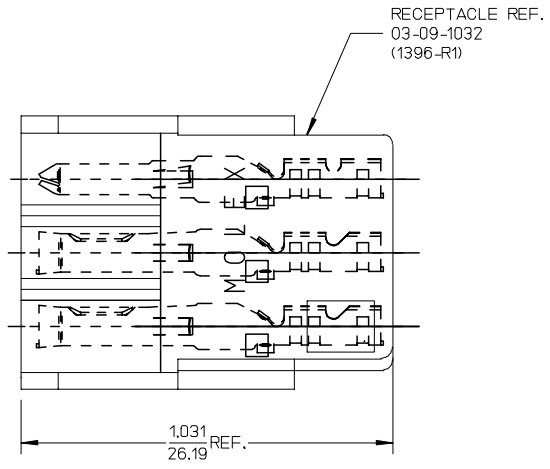
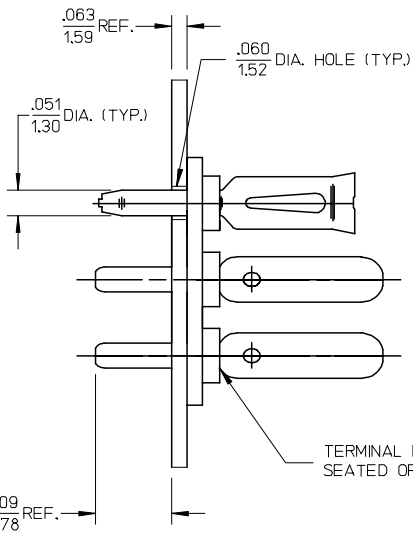
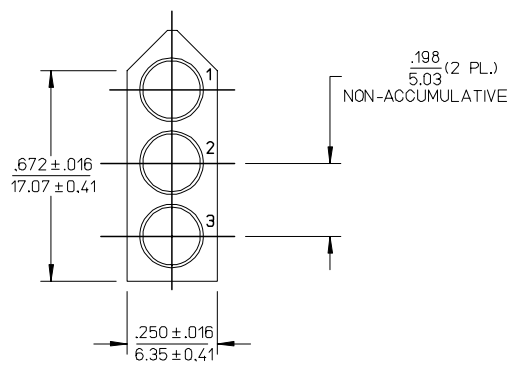
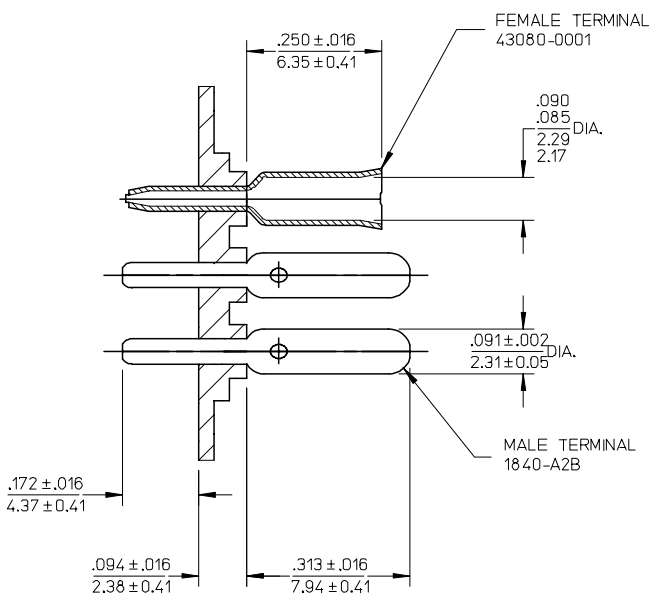


13 12 11 10 9 8 7 6 5 4 3 2 1

J
I
H
G
F
E
D
C
B
A



PART NO.	ENG. NO.	TERM PATTERN		
		1	2	3
09-18-5032	A-1840-3-01	M	M	M
09-18-5031	A-1840-3-02	F	M	M
09-18-5035	A-1840-3-05	M	F	F
09-18-5930	A-1840-3-09	M	B	M



- NOTES:
- MATERIAL:
BASE AND RECEPTACLE: NYLON
TERMINALS: MALE - BRASS
FEMALE - BRONZE
 - FINISH:
999 - UNPLATED
102 - (MALE TERMINALS ONLY)
OVERALL TIN: .000200/0.00508 MIN.
OVER COPPER: .000100/0.00254 MIN.
126 - (FEMALE TERMINALS ONLY)
OVERALL TIN: .000050/0.00127 MIN.
OVER NICKEL: .000050/0.00127 MIN.
 - PRODUCT SPECIFICATION: N/A
 - PACKAGING SPECIFICATION: N/A
 - POLARIZATION ACCOMPLISHED THROUGH AN INTER-MIX OF MALE AND FEMALE TERMINALS. (MOLEX .093 TERMINALS)
 - TERMINAL PATTERN CODE:
M = MALE TERMINALS
F = FEMALE TERMINALS
B = NO TERMINALS
 - PARTS TO BE MOUNTED ON SUPPORTED EDGE OF P.C. BOARD

A-1840-3-2 SHOWN

CONVERT TO ME10 EC NO: UCP2006-0237 DRAWN:FSM/TH 2005/08/11 CHKD:ADERR 2005/08/11 APPR:FSM/TH 2005/08/11 REV:	QUALITY SYMBOLS ▽=0 ▽=0	GENERAL TOLERANCES (UNLESS SPECIFIED)		DIMENSION STYLE IN/MM		SCALE 4:1	DESIGN UNITS INCH	THIRD ANGLE PROJECTION	
		4 PLACES ± --- ± ---	3 PLACES ± --- ± .005	DRAWN BY EWC	DATE 1974/04/30	TITLE CONNECTOR-P.C. BOARD WAFERCONN 3 CIRCUIT			
		2 PLACES ± 0.13 ± .010	1 PLACE ± 0.25 ± ---	CHECKED BY	DATE	APPROVED BY			
		ANGULAR ±1/2°		MATERIAL NO. SEE CHART		DOCUMENT NO. SDA-1840-3-*	SHEET NO. 1 OF 1		
DRAFT WHERE APPLICABLE MUST REMAIN WITHIN DIMENSIONS				THIS DRAWING CONTAINS INFORMATION THAT IS PROPRIETARY TO MOLEX INCORPORATED AND SHOULD NOT BE USED WITHOUT WRITTEN PERMISSION					

12 11 10 9 8 7 6 5 4 3 2 1