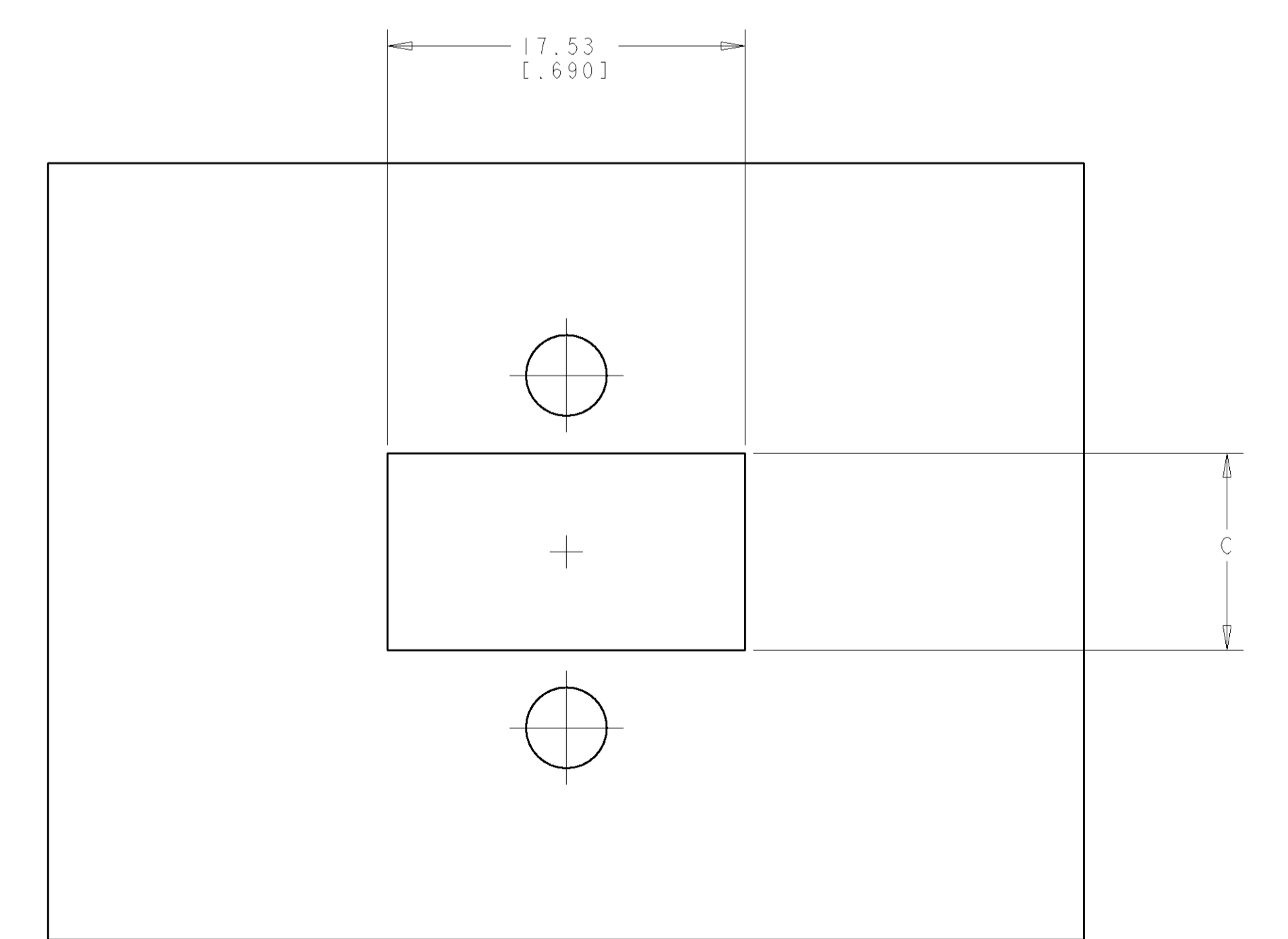
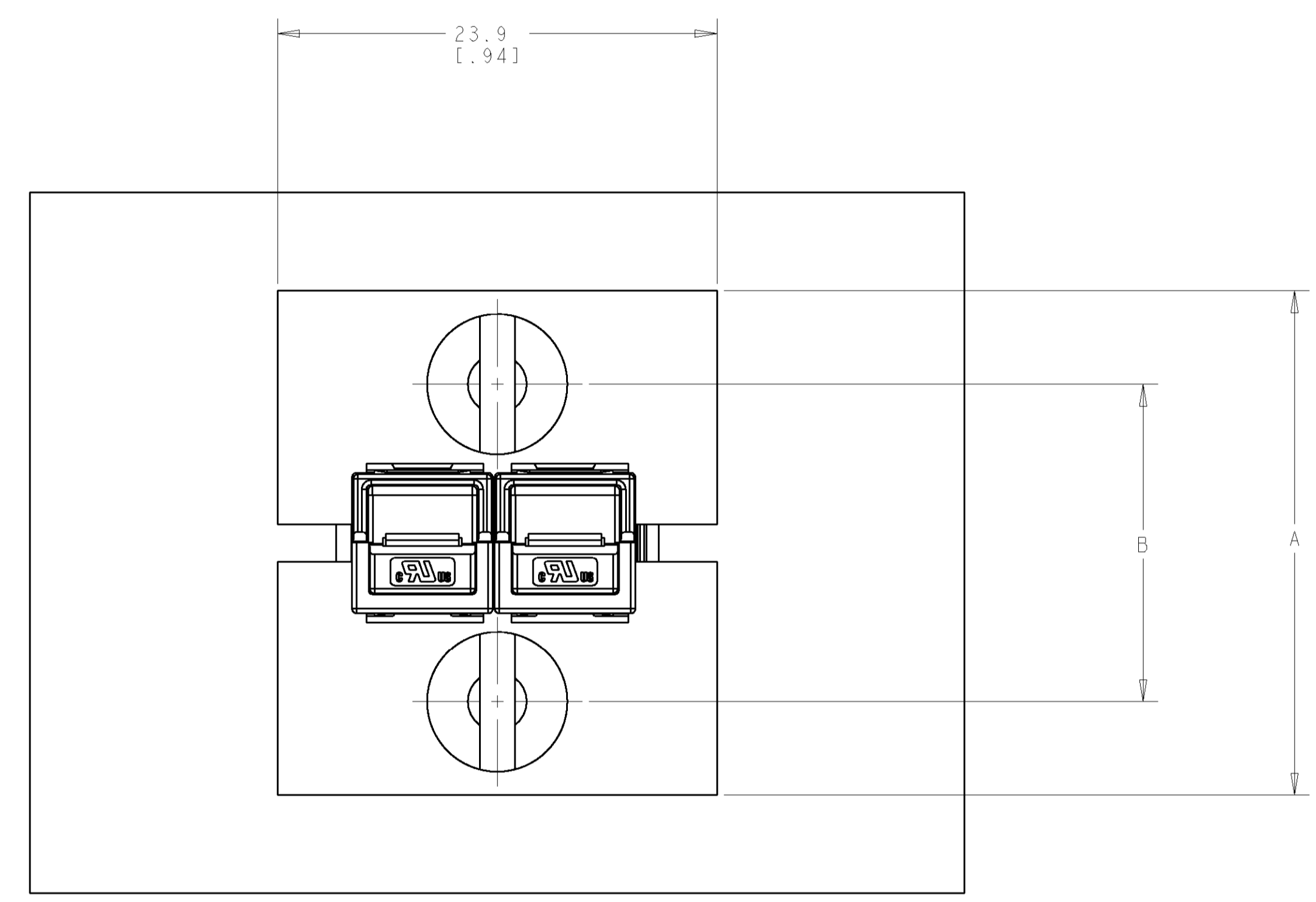
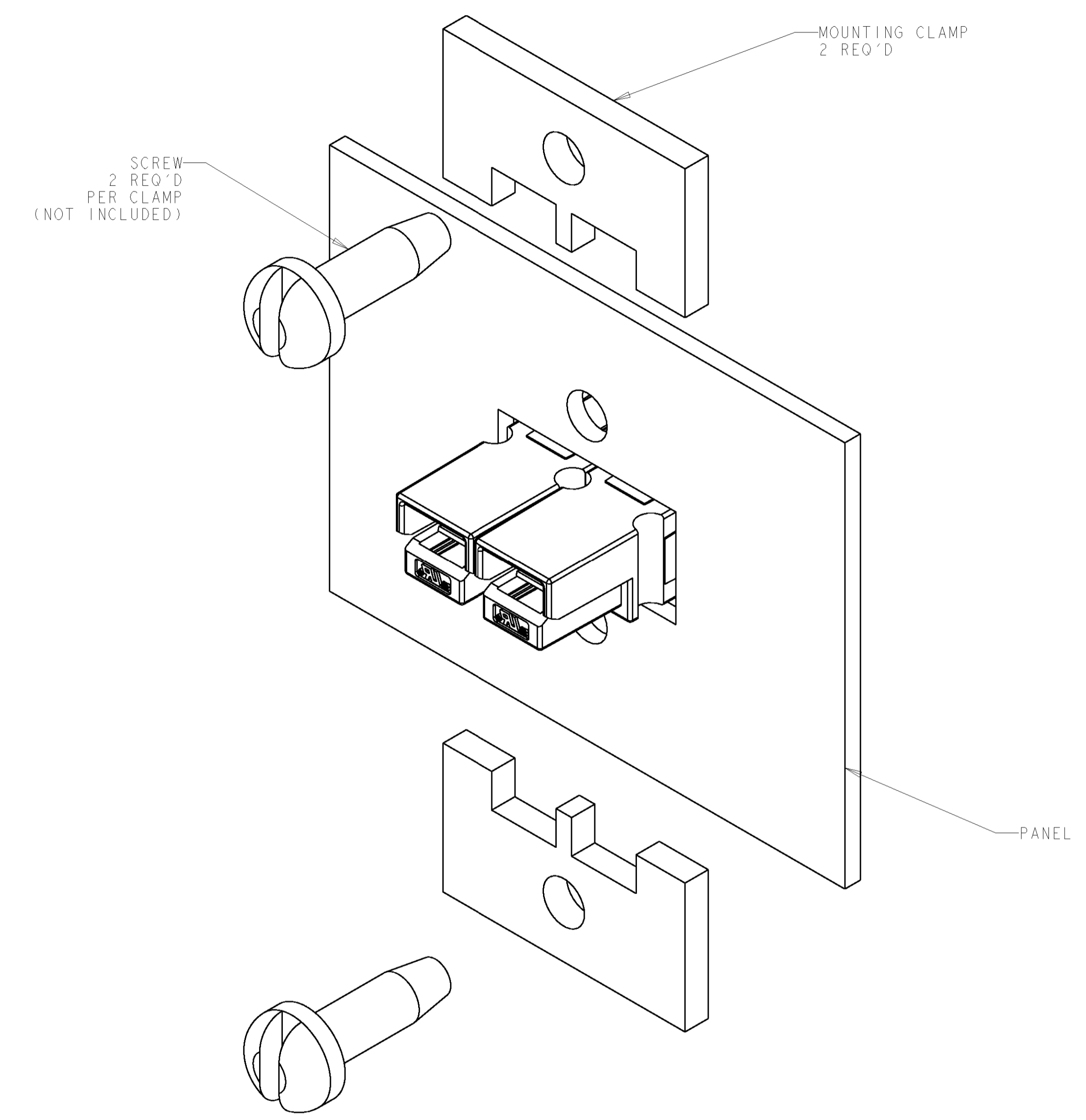


LOC	DIST	REVISIONS					
		P	LTR	DESCRIPTION	DATE	DWN	APVD
CM	00	1		PRE-RELEASED	28JAN2003	KW	JE
		0		REVISED PER 0638-0595-03	16JAN06	KW	JE

1. MOUNTING CLAMPS SOLD IN PAIRS, SCREWS NOT INCLUDED.



PANEL CUTOUT DIMENSIONS



17.5 [0.69]	25.4 [1.00]	35.0 [1.38]	4
9.7 [0.38]	17.3 [0.68]	26.9 [1.06]	2
C	B	A	NO OF POLES

1 BOX	647766-2
1 PAIR	647766-1
QTY / UNIT OF MEASUREMENT	PART NUMBER

DIMENSIONS: mm [INCHES] TOLERANCES UNLESS OTHERWISE SPECIFIED: 0 PLC ± 1 PLC ±0.5 [0.02] 2 PLC ± 3 PLC ± 4 PLC ± ANGLES ± MATERIAL AL 1.52 [0.06] THK FINISH -		DWN B. WHITAKER 28JAN2003 ENR J. ELLIS 28JAN2003 APVD J. ELLIS 28JAN2003 PRODUCT SPEC - APPLICATION SPEC - WEIGHT - CUSTOMER DRAWING	NAME AMP POWER SERIES PP15/45, MOUNTING CLAMP, 2 AND 4 POLE SIZE CAGE CODE DRAWING NO. A1 00779 C=647766 RESTRICTED TO - SCALE 4:1 SHEET 1 OF 1 REV 0	tyco Electronics Tyco Electronics Harrisburg, PA 17105-3608
---	--	--	--	--

