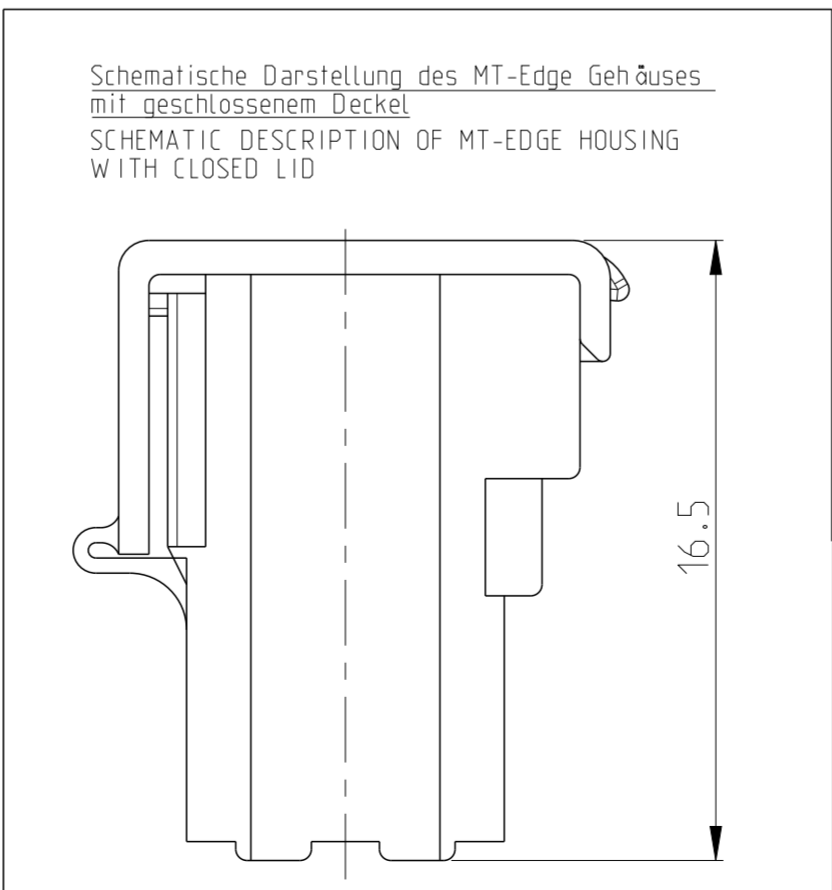
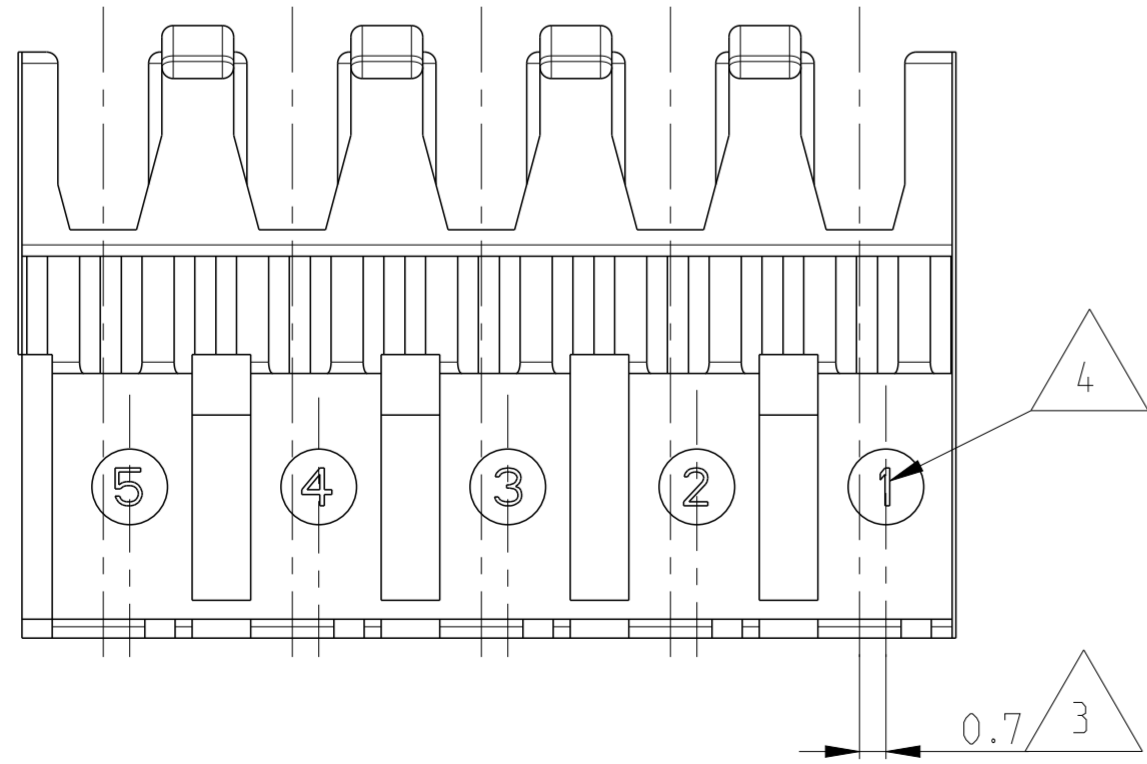
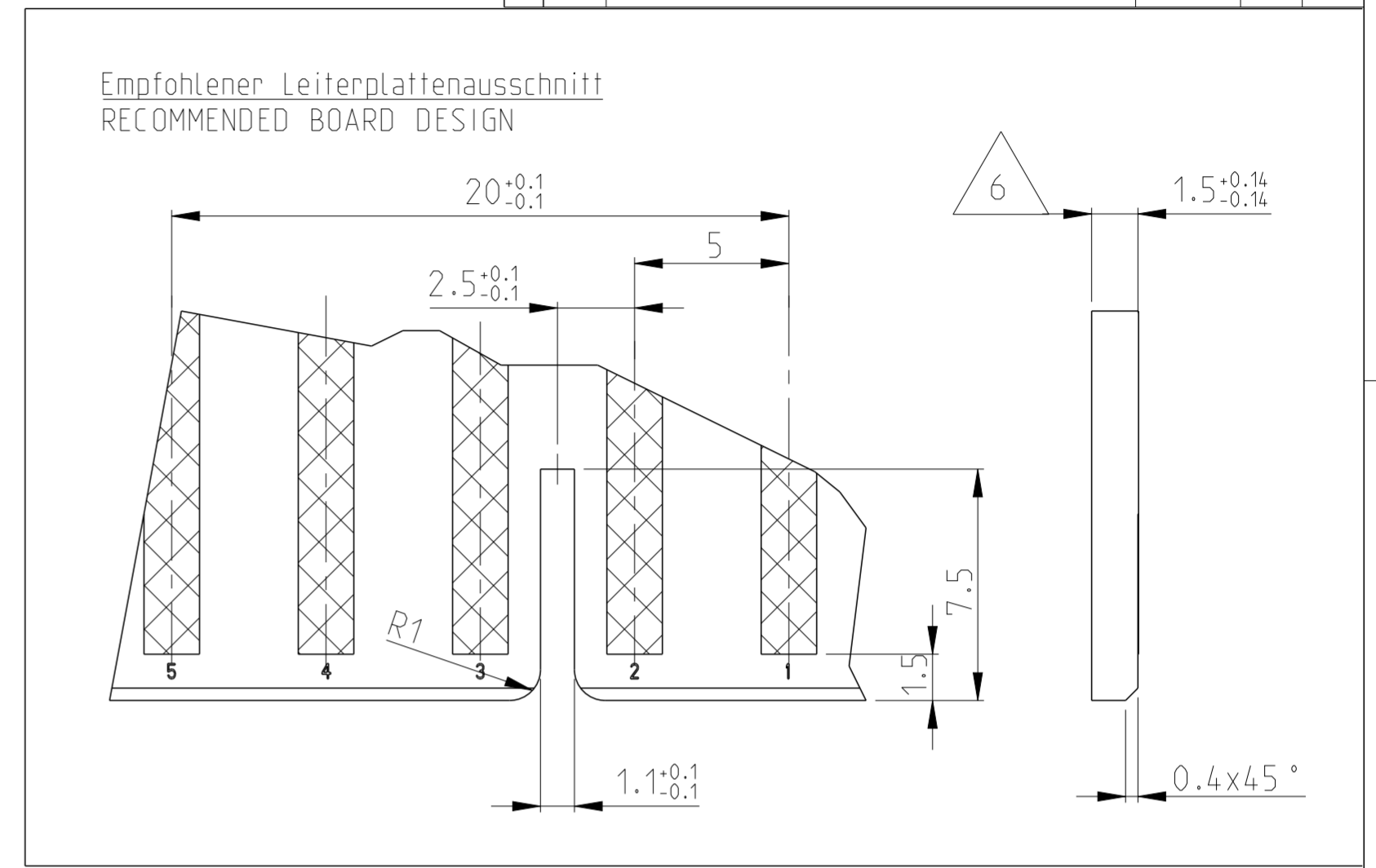
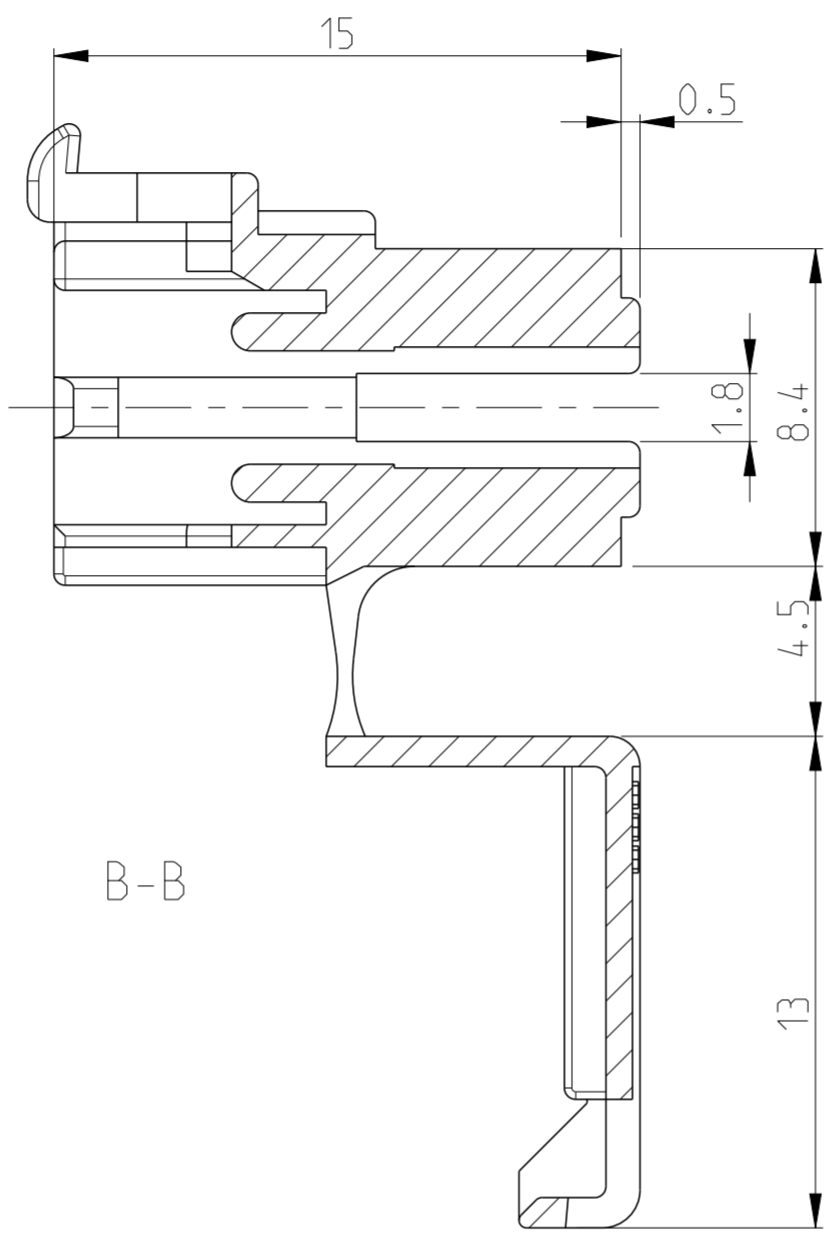
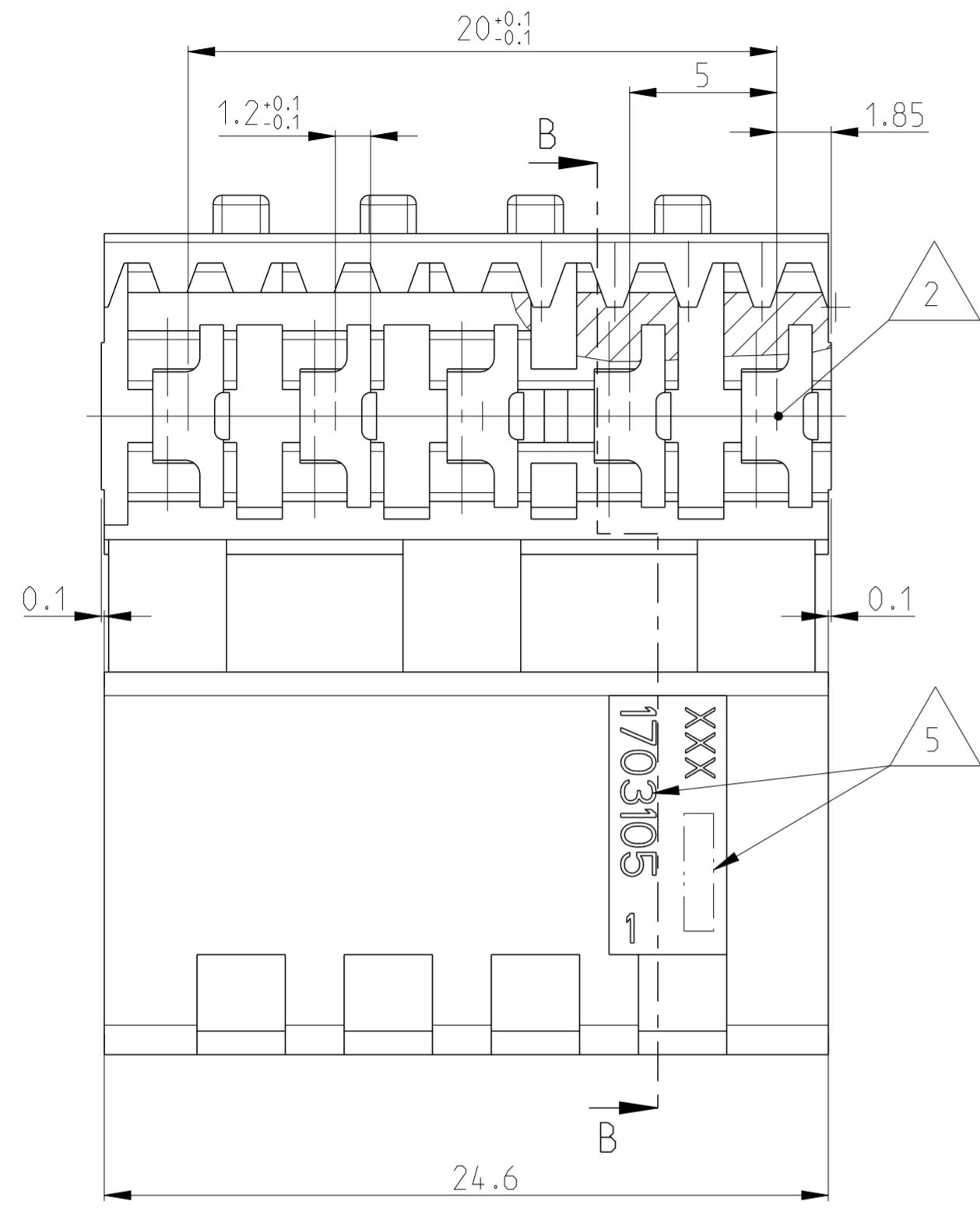


THIS DRAWING IS UNPUBLISHED. RELEASED FOR PUBLICATION 2003
 © COPYRIGHT 2003 ALL RIGHTS RESERVED.

LOC		DIST		REVISIONS			
P	LTR	DESCRIPTION	DATE	DWN	APVD		
A		NEW DRAWING PUBLISHED	24SEP2004	MAH.	STRE.		
B		ECR-10-006081	22MAR2010	DMK	RRP		
B1		ECR-13-010494	08JUL2013	MKD	RRP		



Bemerkungen
NOTES

- 1 Massgebend ist der deutsche Text
ONLY THE GERMAN-LANGUAGE VERSION SHALL BE BINDING
- 2 Lage des Kontaktpunktes auf der Leiterplatte; Abweichung ±0.4
POSITION OF CONTACT POINT ON BOARD; DEVIATION ±0.4
- 3 Kontaktierung zur Drahtmitte um 0.7mm versetzt
CONTACTING 0.7mm DISPLACED TO WIRE CENTRELINE
- 4 Kontaktkammer-Nr.
CONTACT CAVITY #
- 5 Firmenlogo und Leergehäuse-Nr.
ARTWORK LOGO AND HOUSING # (NON LOADED)
- 6 Ausführung nach DIN 60249-2-4
BOARD DESIGN ACCORDING TO DIN 60249-2-4
- 7 Crimp Kontakt-Nr.
Material: CuSn4 926770-1; 926917-1
CRIMP CONTACT #
MATERIAL: CuSn4

1703105-1	MT-EDGE HOUSING	NATURE
PART-NO.:	DESCRIPTION	COLOUR

THIS DRAWING IS A CONTROLLED DOCUMENT.		DWN MAHNKE, B. 24SEP2004	TE Connectivity 5 POS. MT-EDGE HOUSING RAST 5mm	
DIMENSIONS: mm		CHK STREDAK, F. 20DEC2004		
TOLERANCES UNLESS OTHERWISE SPECIFIED:		APVD BLEICHER, M. 21DEC2004		
0 PLC ± 1 PLC ±0.15mm 2 PLC ± 3 PLC ± 4 PLC ± ANGLES ±° FINISH		NAME PRODUCT SPEC 108-18003 APPLICATION SPEC 114-18002 WEIGHT 2.419 g		
MATERIAL PA6.6 / UL94V-2		CUSTOMER DRAWING	SIZE A2	RESTRICTED TO -
			CAGE CODE C-1703105	DRAWING NO. -
			SCALE 5:1	SHEET 1 OF 1
			REV B1	