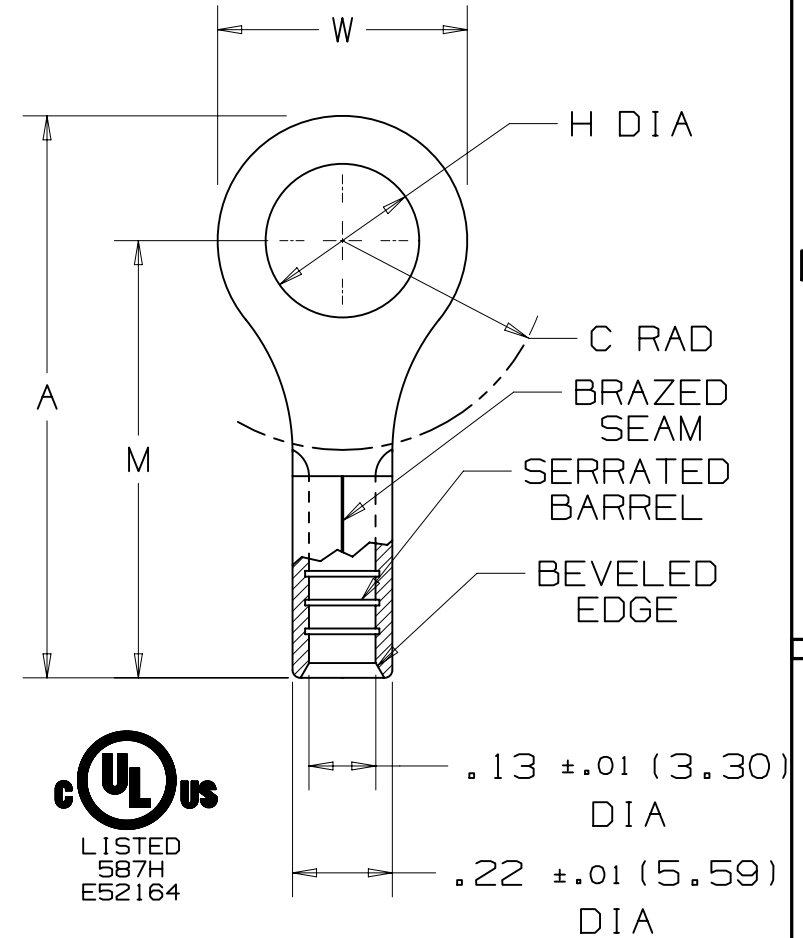


THIS COPY IS PROVIDED ON A RESTRICTED BASIS AND IS NOT TO BE USED IN ANY WAY DETRIMENTAL TO THE INTERESTS OF PANDUIT CORP.

PANDUIT PART NUMBER	STUD SIZE	DIMENSIONS in.				
		A ±.02	W ±.01	C ±.02	M ±.02	H ±.01
P10-6RHT6	#6	.78 (19.81)	.31 (7.87)	.35 (8.89)	.62 (15.75)	.15 (3.81)
P10-8RHT6	#8	.78 (19.81)	.31 (7.87)	.35 (8.89)	.62 (15.75)	.17 (4.32)
P10-10RHT6	#10	.81 (20.57)	.38 (9.65)	.33 (8.38)	.62 (15.75)	.20 (5.08)
P10-14RHT6	1/4"	.96 (24.38)	.53 (13.46)	.42 (10.67)	.70 (17.78)	.27 (6.86)

NOTES:

- RECOMMENDED FOR:
 - A. #12-10 AWG SOLID OR STRANDED COPPER WIRE *
 - B. 650° F (343° C) MAX. TEMP RATING
 - MATERIAL:
 - A. STAMPING - .04" [1.02] THK COPPER, NICKEL PLATED
 - PACKAGE QTY:
 - STD. PKG. - L = 50
 - BULK PKG. - D = 500
 - DIMENSIONS IN BRACKETS ARE IN MILLIMETERS
 - INSTALLATION TOOL:
 - A. PANDUIT APPROVED: CT-100, CT-200, CT-160, CT-260, CT-570, CT-1570
- * APPROVED FOR USE WITH # 14 - 10 AWG SOLID OR STRANDED COPPER WIRE WHEN INSTALLED WITH THE CT-570 OR CT-1570 TOOLS



02	1/15	JHNU	TMR	RGB	ADDED cULus LOGO REVISED TITLE BLOCK			N41267BA-DC	

TITLE #12-10 BARREL NON INSULATED RING TONGUE, HIGH TEMPERATURE, 650° F CUSTOMER DRAWING			
ITEM REVISION NAME N41267BA/02		PANDUIT	
DATASET FILE NAME N41267BA/02			
UNLESS OTHERWISE SPECIFIED, DIMENSIONAL TOLERANCES ARE: IN [mm]			MATERIAL: SEE NOTES
.X ±	.XXX ±	DRAWING NUMBER: A41267	
.XX ±	ANGLES ±		
THIRD ANGLE PROJECTION		DRAWING NUMBER: A41267	
DRAWN BY EJD	DATE	CHK	SCALE N/A
DESCRIPTION		ECN	SHT 1 OF 1

REV	DATE	BY	CHK	APR	DESCRIPTION	ECN
-----	------	----	-----	-----	-------------	-----

D101000A/16