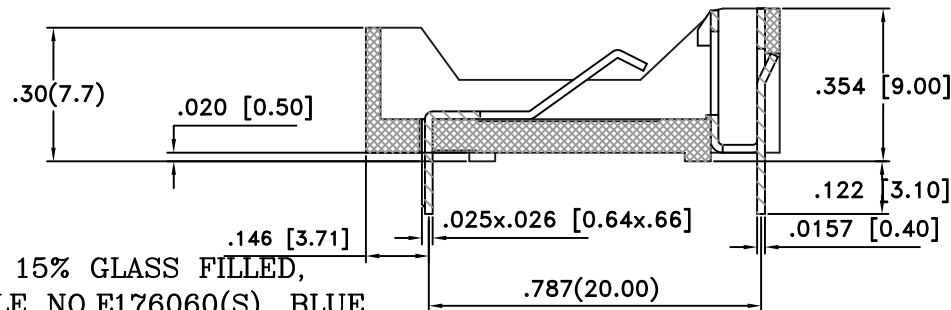
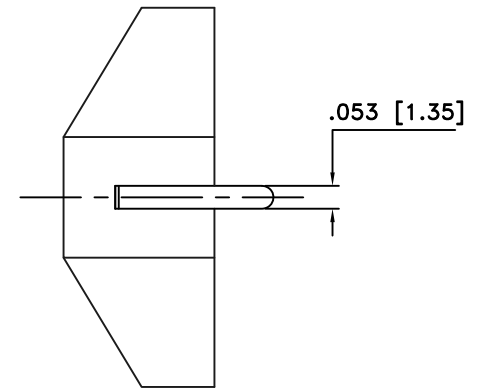
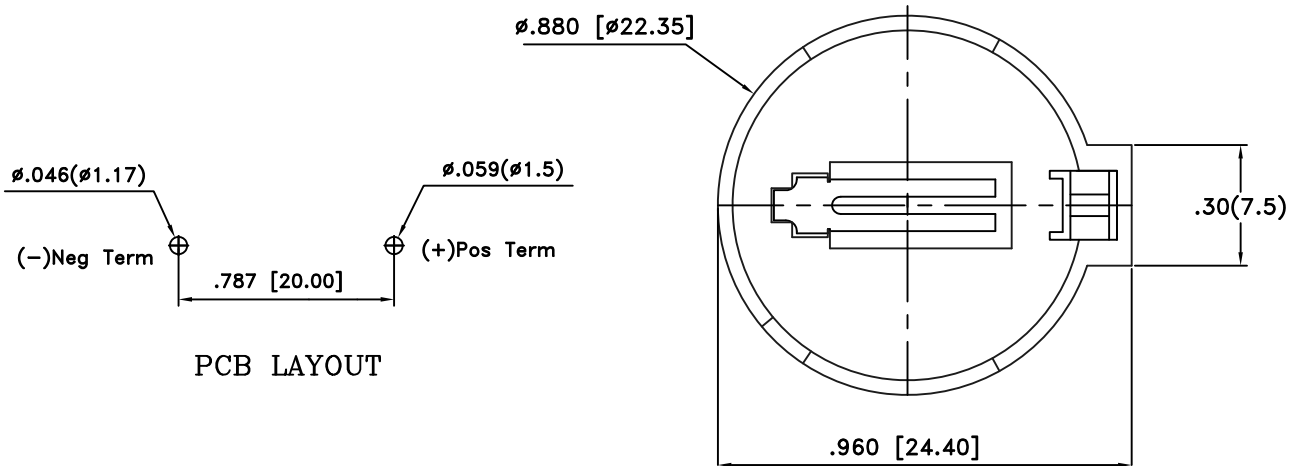


Date	SYM	REVISION RECORD	AUTH	DR.	CK.
05/04/12	A	REMOVED THE SOLDER DIPPED TAILS FROM NOTES	T.B.	B.S.	



MATERIAL

BODY: FR-NYLON WITH 15% GLASS FILLED,
UL94V-0, UL FILE NO.E176060(S), BLUE

CONTACT: PHOSPHOR BRONZE

FINISH

CONTACT: NICKEL PLATED OVERALL

SPECIFICATIONS

APPLICATION FOR 3V LITHIUM BATTERY, CR2032 OR BR2032


INSULTOR RESISTANCE: 5000 MΩ MIN.

OPERATION TEMPERATURE: -55°C TO +105°C

DURABILITY: 50 CYCLES MIN

CONTACT RESISTANCE: 30 MΩ MAX

ROHS COMPLIANT

Tolerance (Except as noted)	 Memory protection Devices, Inc 200 Broad Hollow Road, Farmingdale, New York 11735	Scale	Drawn By T.S.
		4=1	Approved By T.B.
decimal ±.5 (.020)	Title CR2032 BATTERY HOLDER WITH EASY RELEASE CLIP		
Fractional ± .8 (.030)	Date	Drawing Number	
Angular ± 3°	05/04/12	BS-7-BLUE	