

4

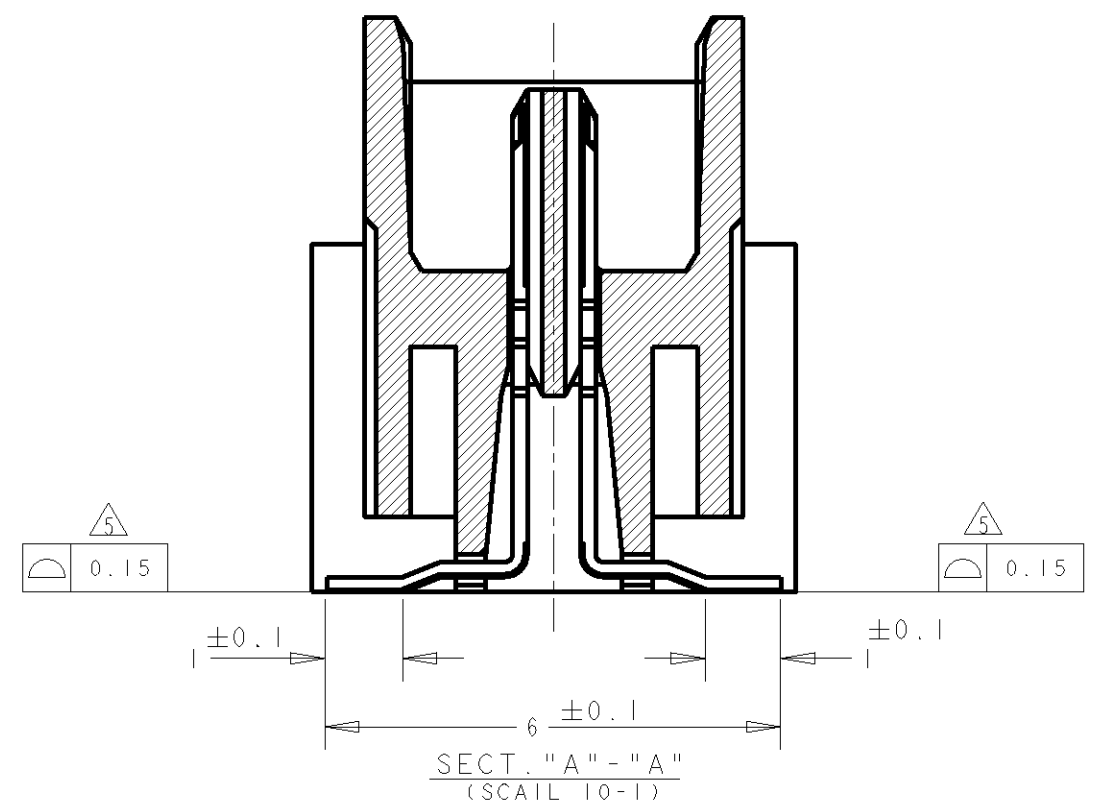
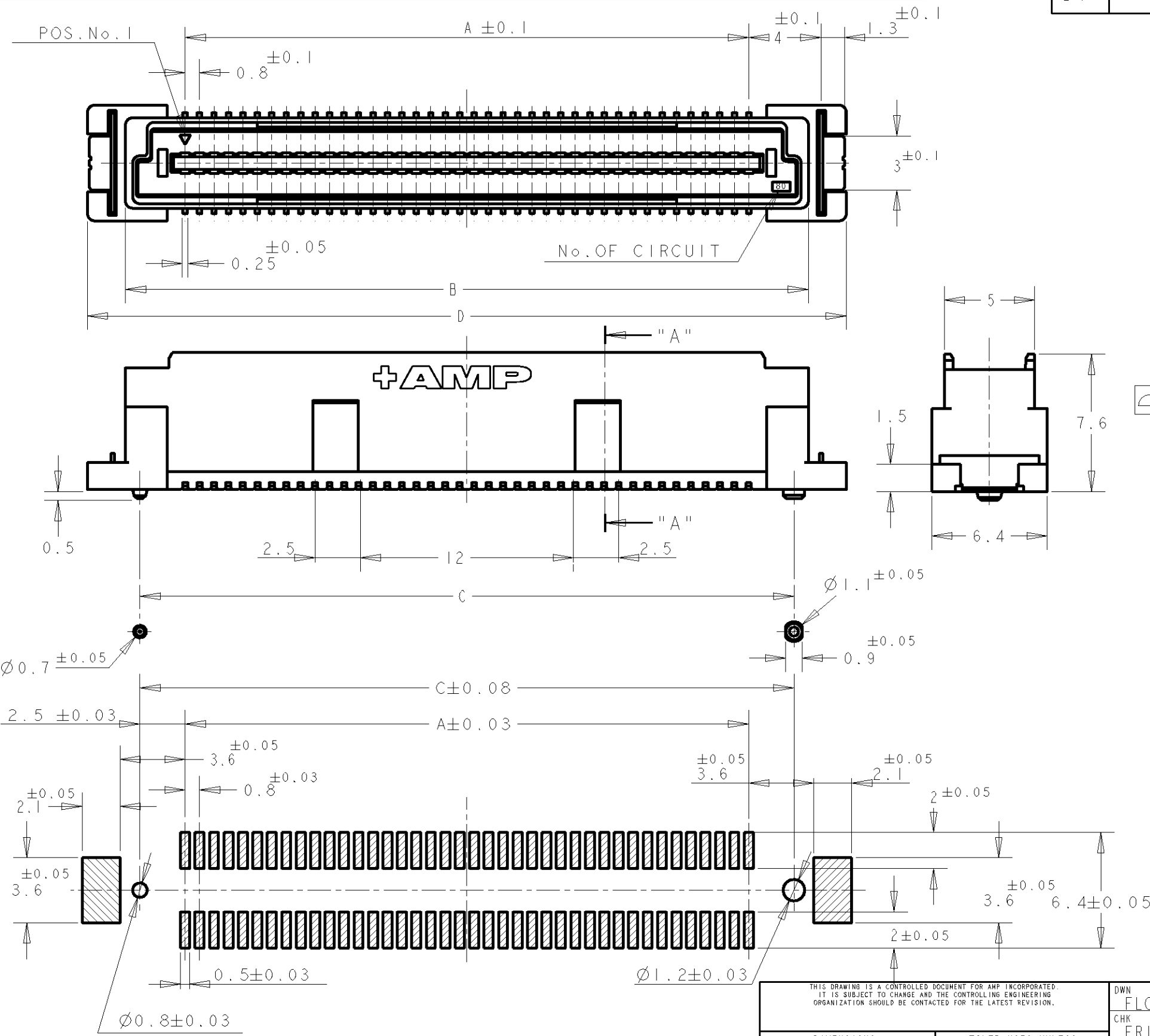
3

2

1

THIS DRAWING IS UNPUBLISHED. RELEASED FOR PUBLICATION .19 .  
 © COPYRIGHT 19 BY AMP INCORPORATED. ALL RIGHTS RESERVED.

LOC	DIST	REVISIONS			
P	LTR	DESCRIPTION	DATE	DWN	APVD
01		REVISED PER ECO-10-000445	11JAN10	KK	AEG



- NOTES:
- 1. MATERIAL: HOUSING: L.C.P. (HIGH TEMP THERMO PLASTIC) UL 94V-0, NATURAL. CONTACT & SOLDER PEG: BRASS.
  - 2. FINISH: CONTACT AREA: 0.0002 MIN GOLD ON 0.0013 MIN ALL OVER NICKEL. SOLDERING AREA: 0.001 MIN MATTE TIN.
  - 3. POSITION SERIES: SEE TABLE.
  - 4. CONN STACK HEIGHT COMBINE OF PLUG "Y" H VS REC "X" H. STACK HEIGHT = Y + X - 5
  - 5. TINE AND MOUNT METAL HEIGHT SHALL BE 0.15 MAX.
  - 6. OBSOLETE PARTS: OBSOLETE CIS STREAMLINING PER D.RENAUD/D.SINISI

P/N SEE SHEET 2 OF 2.

THIS DRAWING IS A CONTROLLED DOCUMENT FOR AMP INCORPORATED. IT IS SUBJECT TO CHANGE AND THE CONTROLLING ENGINEERING ORGANIZATION SHOULD BE CONTACTED FOR THE LATEST REVISION.		DWN FLORENCE TAN 13SEP04	Tyco Electronics (Singapore) Pte. Ltd.
DIMENSIONS: mm		CHK ERIC TNG	
TOLERANCES UNLESS OTHERWISE SPECIFIED:		APVD SEI FONG	NAME PLUG ASSEMBLY WITH SOLDER PEG 8H TYPE FOR FH 0.8mm PITCH B-T-B CONNECTOR STD
0 PLC ±		PRODUCT SPEC	SIZE A3
1 PLC ±0.2		APPLICATION SPEC	CAGE CODE 00779
2 PLC ±0.25		WEIGHT	DRAWING NO C-5179562
3 PLC ±0.3		CUSTOMER DRAWING	SCALE 4:1
4 PLC ±			SHEET 1 OF 2
ANGLES ±3°			REV 01
FINISH			

4

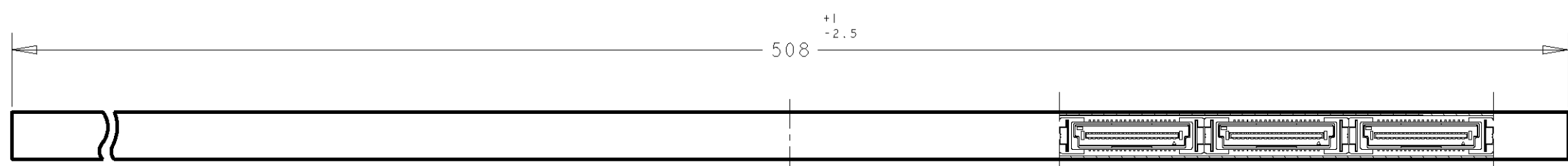
3

2

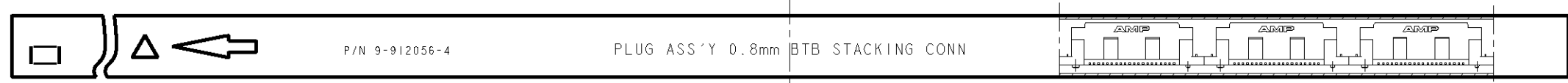
1

THIS DRAWING IS UNPUBLISHED. RELEASED FOR PUBLICATION .19 .  
 © COPYRIGHT 19 BY AMP INCORPORATED. ALL RIGHTS RESERVED.

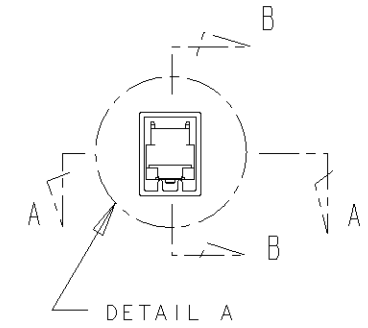
LOC	DIST	REVISIONS			
P	LTR	DESCRIPTION	DATE	DWN	APVD
DY	-	- SEE SHEET 1	-	-	-



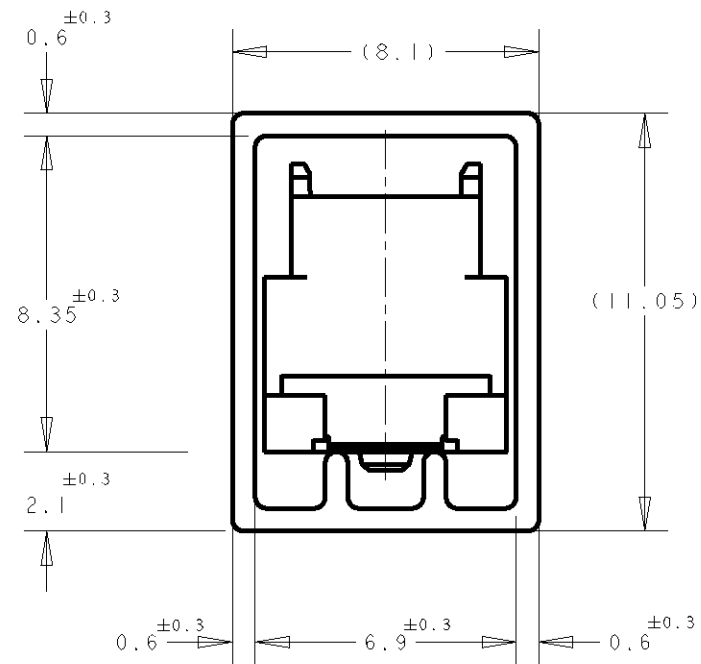
SECT A-A



SECT B-B



REFERENCE PICTURE OF TUBE PACK



DETAIL "B"  
(SCALE 5-1)

<b>6</b> OBSOLETE	90.0	84.2	85.8	79.2	200	0
	82.0	76.2	77.8	71.2	180	0
	74.0	68.2	69.8	63.2	160	0
<b>6</b> OBSOLETE	66.0	60.2	61.8	55.2	140	6
	58.0	52.2	53.8	47.2	120	-5
	50.0	44.2	45.8	39.2	100	-4
<b>6</b> OBSOLETE	42.0	36.2	37.8	31.2	80	3
	34.0	28.2	29.8	23.2	60	2
	26.0	20.2	21.8	15.2	40	5179562
	D	C	B	A	POS.	P/N

THIS DRAWING IS A CONTROLLED DOCUMENT FOR AMP INCORPORATED. IT IS SUBJECT TO CHANGE AND THE CONTROLLING ENGINEERING ORGANIZATION SHOULD BE CONTACTED FOR THE LATEST REVISION.		DWN FLORENCE TAN 13SEP04	<b>tyco</b> Tyco Electronics (Singapore) Pte. Ltd.		
DIMENSIONS: mm		CHK ERIC TNG	NAME PLUG ASSEMBLY WITH SOLDER PEG 8H TYPE FOR FH 0.8mm PITCH B-T-B CONNECTOR STD		
TOLERANCES UNLESS OTHERWISE SPECIFIED: 0 PLC ± 1 PLC ±0.2 2 PLC ±0.25 3 PLC ±0.3 4 PLC ± ANGLES ±3°		APVD SE J FONG	DRAWING NO 5179562		
MATERIAL		PRODUCT SPEC -	SIZE A3	CAGE CODE 00779	SHEET 2 OF 2
FINISH		APPLICATION SPEC -	SCALE 4:1		REV 01
		WEIGHT -	CUSTOMER DRAWING		