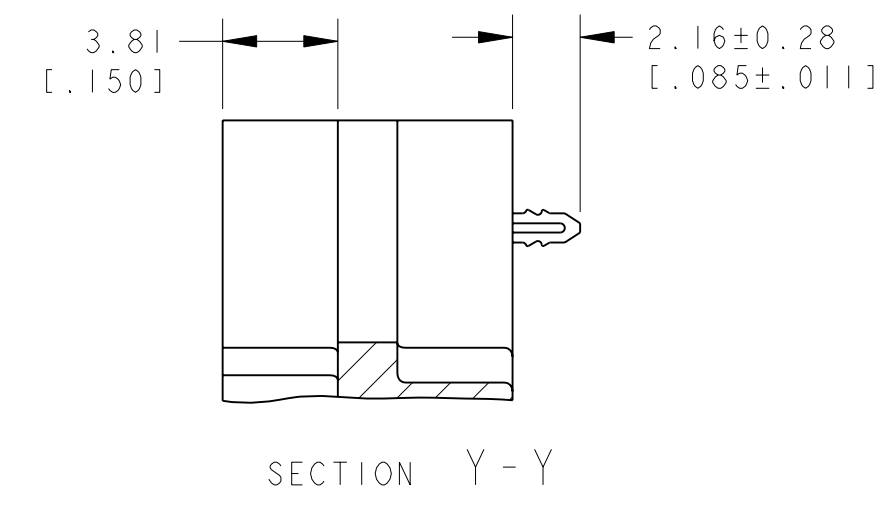
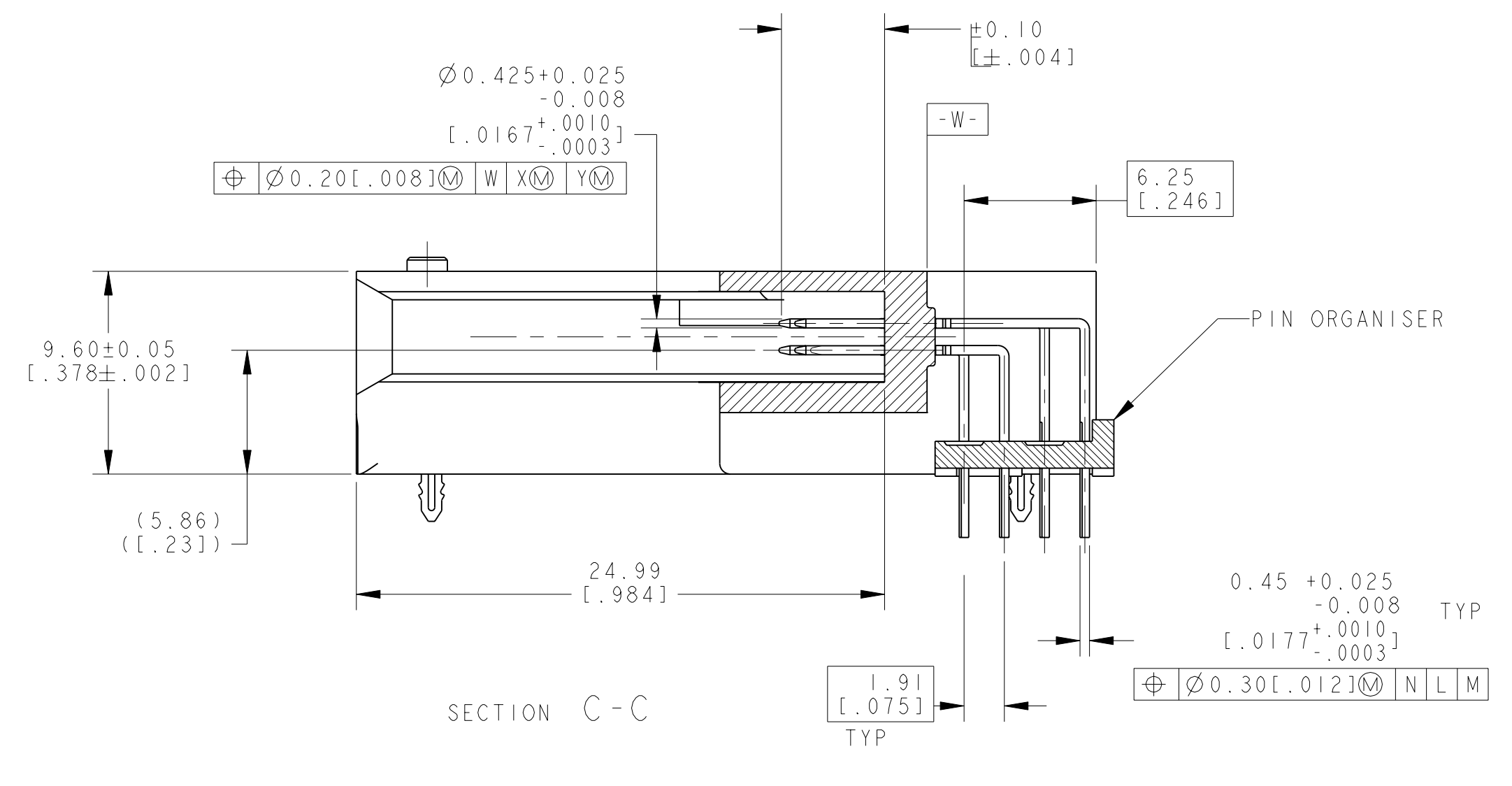
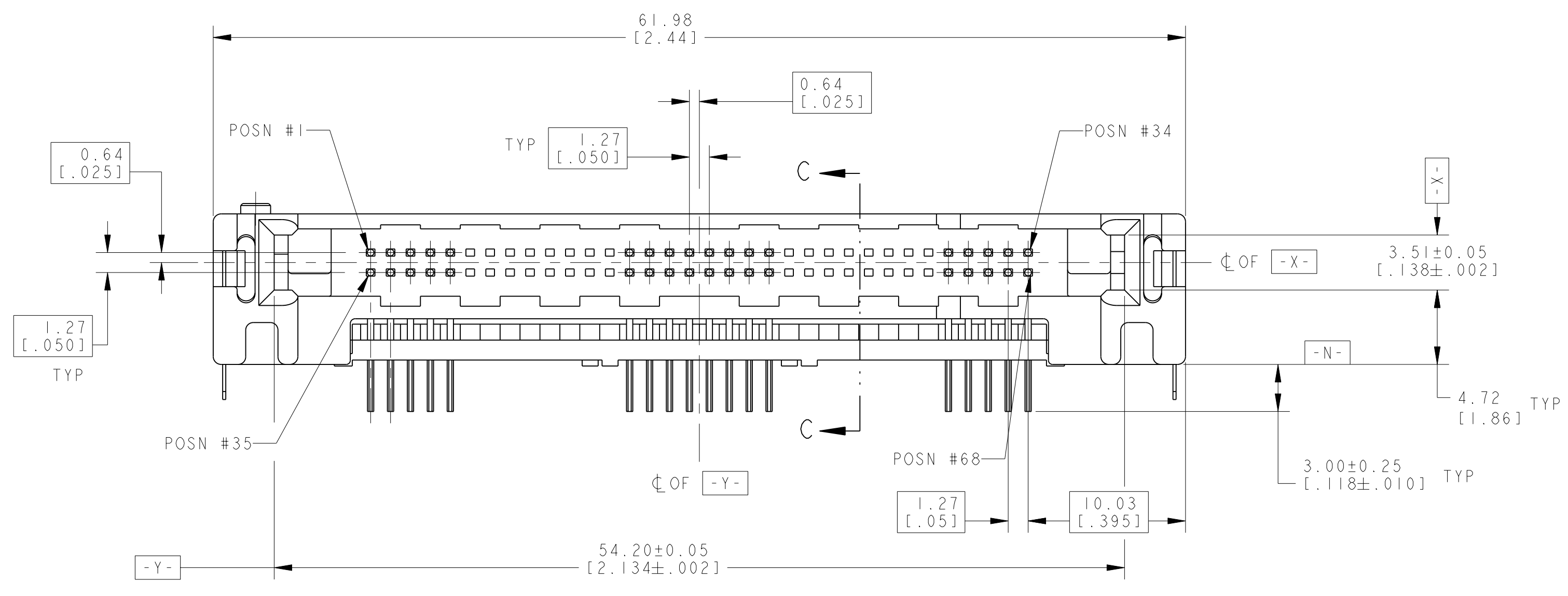
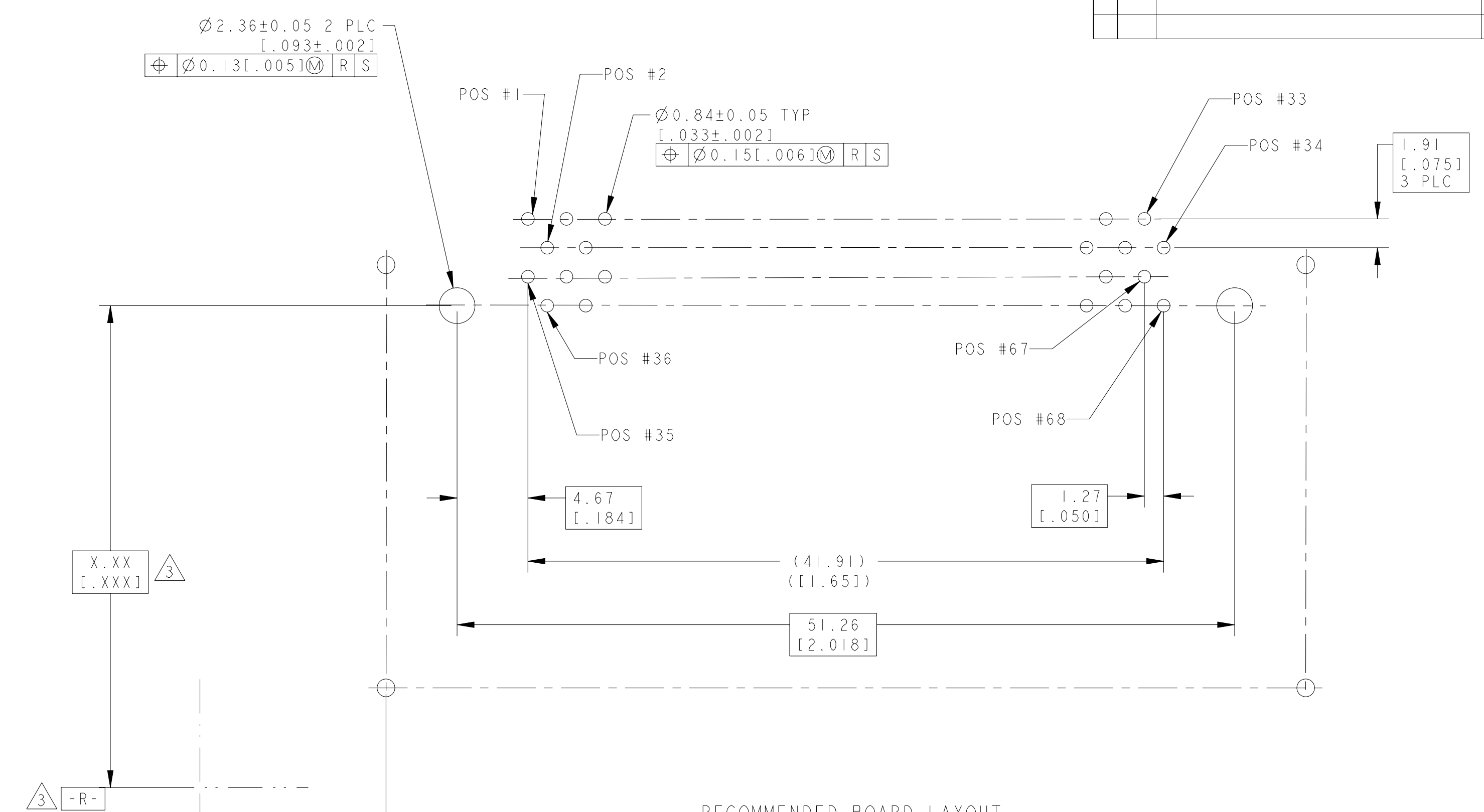
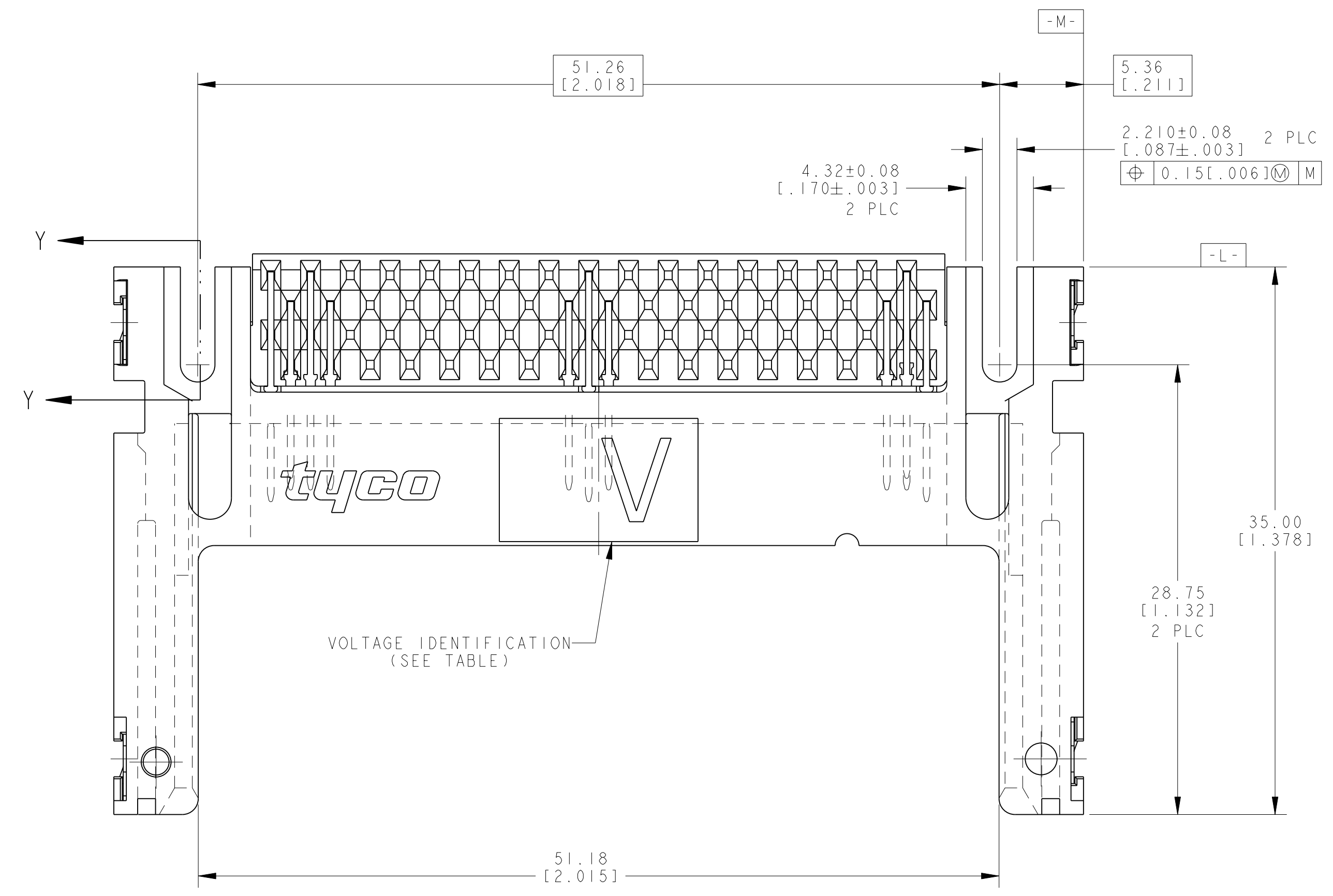


| LOC | DIST | REV | DATE      | BY | APPD |
|-----|------|-----|-----------|----|------|
| -   | -    | A   | 29FEB2012 | GG | RRP  |



- NOTE
- △ PLATING: GOLD ON THE CARD MATING AREA.  
TIN ON SOLDER TAILS  
NICKEL ALL OVER
  - 2. CUSTOMER TO PROVIDE CARD GUIDANCE SYSTEM.
  - △ DATUMS AND BASIC DIMENSIONS ESTABLISHED BY CUSTOMER.
  - 4. CONNECTOR REQUIRES USE OF 2 - SIZE 2M SCREWS FOR FASTENING TO PRINTED CIRCUIT BOARD.
  - △ MATERIAL: HOUSING & ORGANISER : THERMOPLASTIC UL94 V0, COLOR - BLACK  
PIN : BRASS  
HOLD-DOWN : PHOSPHOR BRONZE.
  - △ HOLD-DOWN : TIN PLATED

| PLATING                | VOLTAGE IDENTIFICATION | "L" (PIN LENGTH) AND LOCATION | PART NUMBER                 |
|------------------------|------------------------|-------------------------------|-----------------------------|
| △△6                    | LV                     | 1, 17, 34<br>35, 51, 68       | ALL OTHER PINS<br>2178292-2 |
| △△6                    | 5V                     | 1, 17, 34<br>35, 51, 68       | ALL OTHER PINS<br>2178292-1 |
| PLATING                |                        | 0.197 [5.0]                   | 0.167 [4.25] 0.138 [3.5]    |
| VOLTAGE IDENTIFICATION |                        | "L" (PIN LENGTH) AND LOCATION |                             |

|  |                      |                      |  |
|--|----------------------|----------------------|--|
| THIS DRAWING IS A CONTROLLED DOCUMENT. |                      | DWN: 23DEC2011       | NAME: PIN HEADER ASSY, 68 POS<br>RAISED HT, TOP BRD MTG, THRU HOLE,<br>WITH HOLD-DOWN, MEMORY CARD |
| DIMENSIONS: mm [INCHES]                |                      | CHK: RAJENDRA        | TE Connectivity  |
| TOLERANCES UNLESS OTHERWISE SPECIFIED: |                      | APPD: RAJENDRA       | PRODUCT SPEC: 108-1469   |
| Ø                                      | 9 PLC ±              | DATE: 23DEC2011      | APPLICATION SPEC: -  |
| ∅                                      | 1 PLC ±              | SIZE: A100779        | SCALE: 4:1   |
| ∅                                      | 2 PLC ±              | CAGE CODE: C=2178292 | SHEET 1 OF 1   |
| ∅                                      | 3 PLC ±              | WEIGHT: -            | REV A  |
| ∅                                      | 4 PLC ±              | CUSTOMER DRAWING     |  |
| ∅                                      | 5 PLC ±              |                      |  |
| ∅                                      | ANGLES ±0.13 [0.005] |                      |  |
| ∅                                      | FINISH ±0° 30'       |                      |  |