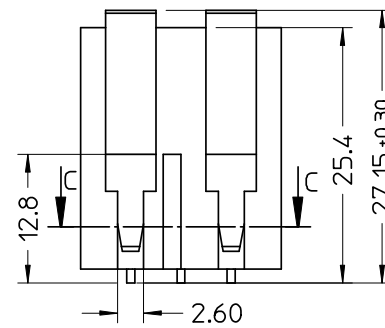
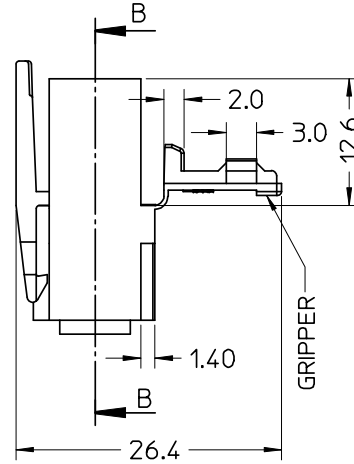
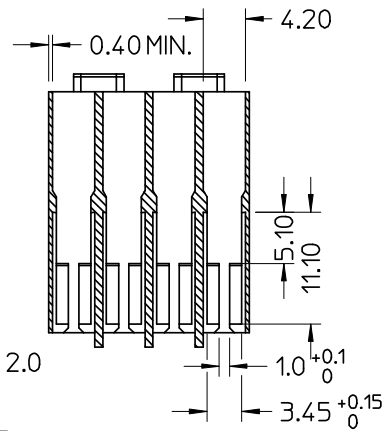
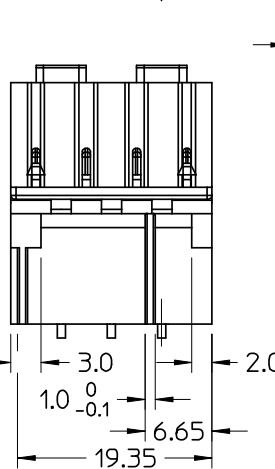


NOTE:
 - USATO CON TERMINALE 94518-0XXX E 94549-0XXX
 - SPECIFICA DI RIFERIMENTO PER IL CONNETTORE PS-94550-001
 - PER CARATTERISTICHE DI CRIMPATURA RIF. SD-94518-005 E SD-94549-001
 - FORZA DI DISACCOPIAMENTO CONNETTORE (TRAZIONANDO DAI CAVI SENZA AZIONARE L'AGGANCI): 60 N MIN.
 - SPESSORE MINIMO PARETI CONNETTORE 0.40 mm.

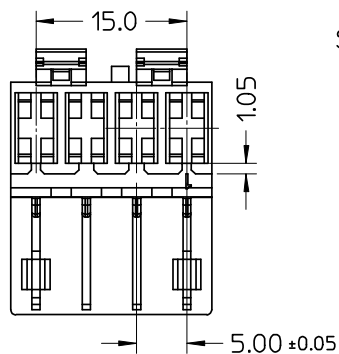
NOTE:
 - USED WITH TERMINALS 94518-0XXX AND 94549-0XXX
 - REFER TO PS-94550-001 FOR CONNECTOR SPECIFICATION
 - REFER TO SD-94518-005 AND SD-94549-001 FOR CRIMPING CHARACTERISTICS
 - CONNECTOR DISENGAGEMENT FORCE (PULLING BY THE WIRES, WITHOUT ACTUATING THE LATCH): 60 N MIN.
 - MINIMUM CONNECTOR WALL THICKNESS 0.40 mm.

CONFEZIONE: Box da 1800 Pz.
 PACKAGING: 1800 pcs in carton box

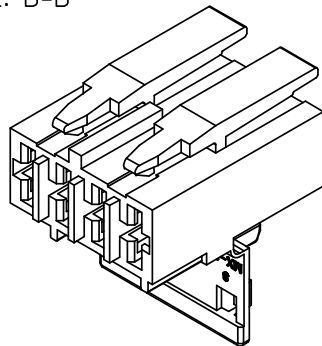


* AGENCY RECOGNIZATIONS
 CSA (file LR19980)
 UL (file E-29179)

P/N	MATERIAL/COLOR
*94550-9104	NYLON 6.6 V0 NATURAL
*94550-9194	NYLON 6.6 V0 GREY
94550-4104	NYLON 6.6 GWT 750 °C sec.IEC 60335-1 TEST METHOD IEC 60695-2-11 NATURAL



SEZ: B-B



SPQ =1800 Std. Descr: HSG W/SEC LOCK AND LATCH 4CKT _____ COLOR

EC NO: Z2008-0115 DRWN: FGOTTARD 2008/01/25 CHKD: LSANTISSO 2008/01/25 APPR: GZUIN 2008/01/29	QUALITY SYMBOLS	GENERAL TOLERANCES (UNLESS SPECIFIED)	SCALE 2:1	DESIGN UNITS METRIC	FIRST ANGLE PROJECTION	REVISE ON CAD ONLY		
	▲ +0 ▽ -0	mm	INCH	DIMENSION STYLE MM ONLY		TITLE HSG 4 CKT WITH SEC. LOCK AND EXTERNAL LATCH MOLEX MOLEX INCORPORATED		
		4 PLACES ± --- ± ---		DRAWN BY FGOTTARD	DATE 2002/06/27			
		3 PLACES ± --- ± ---		CHECKED BY MTESTAGU	DATE 2002/06/27			
		2 PLACES ± 0.10 ± ---		APPROVED BY GZUIN	DATE 2002/06/27	MATERIAL NO. SEE TABLE	DOCUMENT NO. SD-94550-008	SHEET NO. 1 OF 1
		1 PLACE ± 0.2 ± ---		DRAFT WHERE APPLICABLE		THIS DRAWING CONTAINS INFORMATION THAT IS PROPRIETARY TO MOLEX INCORPORATED AND SHOULD NOT BE USED WITHOUT WRITTEN PERMISSION		
		ANGULAR ± 2 °		MUST REMAIN WITHIN DIMENSIONS		A3		