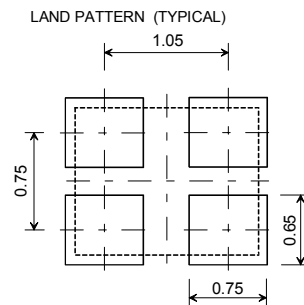
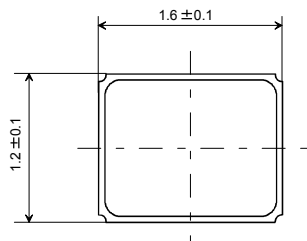
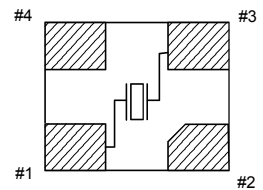


1	NDK Part Number	NX1612AA-40M-EXS00A-CS05020
2	Chipset Maker	TOSHIBA
3	Application	Transfer Jet
4	Chipset Name	TC35420
5	NDK Specification Number	EXS00A-CS05020
6	Type	NX1612AA
7 Electrical Characteristics		
7.1	Nominal Frequency (f_{nom})	40 MHz
7.2	Overtone order	Fundamental
7.3	Adjustment tolerance	$\pm 10 \times 10^{-6}$ max.
7.4	Tolerance over the temperature range	$\pm 15 \times 10^{-6}$ max. (at -20 to +85 °C) $\pm 30 \times 10^{-6}$ max. (at +85 to +100 °C)
7.5	Equivalent Series Resistance (Rr)	80Ω max.
7.6	Shunt capacitance (C0)	0.51 pF $\pm 20\%$
7.7	Motional capacitance (C1)	1.74 fF $\pm 20\%$
7.8	Motional capacitance (L1)	9.08 mH $\pm 20\%$
7.9	Capacitance ratio (C0 /C1)	295 $\pm 20\%$
7.10	Maximum Drive Level	200 μW max.
8 Measurement Circuit		
8.1	Frequency Measurement	
8.1.1	Measuring Instrument	IEC π -network
8.1.2	Load Capacitance (C_L)	7 pF
8.1.3	Level of Drive	10 μW
8.2	Equivalent Resistance Measurement	
8.2.1	Measuring Instrument	IEC π -network
8.2.2	Load Capacitance (C_L)	Series
8.2.3	Level of Drive	10 μW
9	Operating Temperature Range	-20 ~ +100 °C
10	Storage Temperature Range	-40 ~ +100 °C

11 Dimension of external (Unit: mm)



[TOP VIEW]
TERMINAL LAND CONNECTIONS



TERMINAL
#1,#3: X'tal
#2: GND(Connected to Cover)
#4: NC

