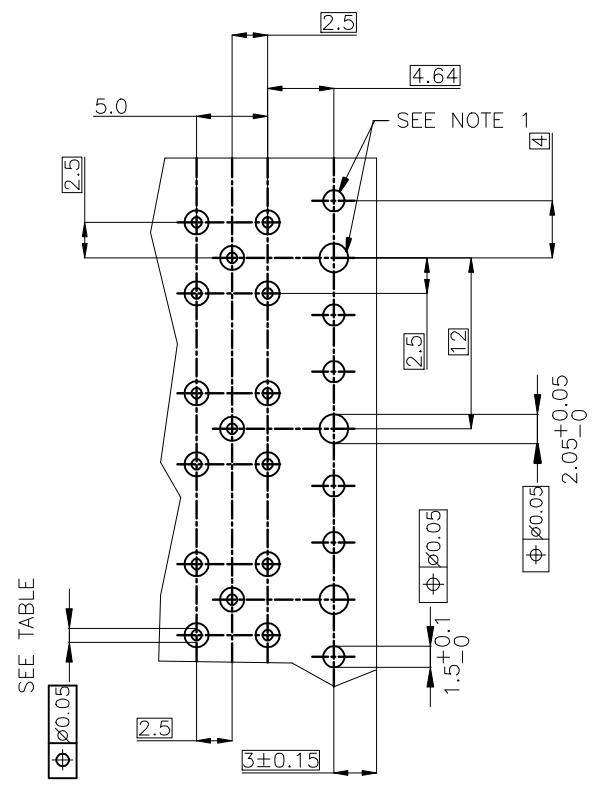
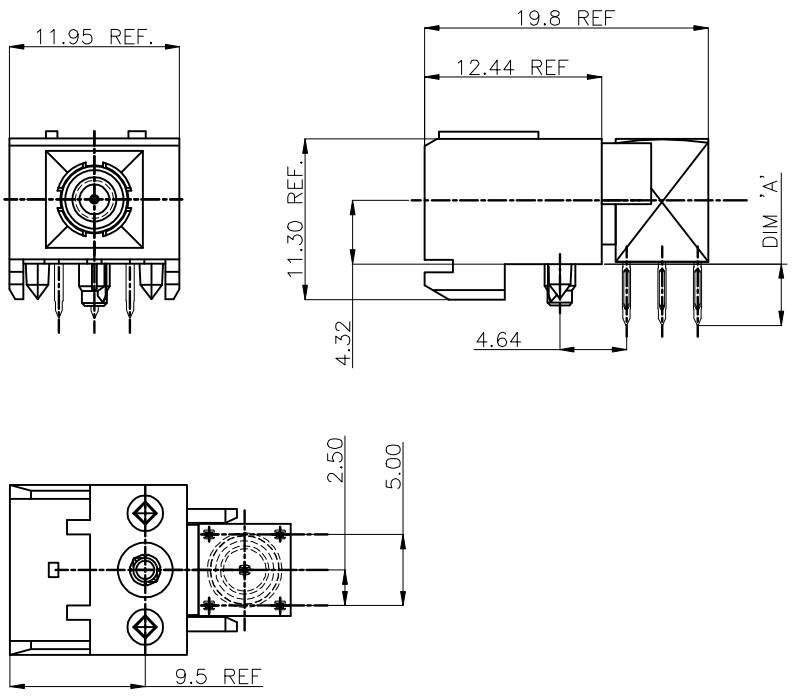


PRODUCT NO	PCB THICKNES	DIM A	NOTES
63721-101	1.6 & 2.4	4.19	4
63721-102	1.6 & 2.4	4.19	2 & 4



RECOMMENDED HOLE PATTERN, COMPONENT SIDE.

NOTES:

- ① INDICATED HOLES ARE TO BE UNPLATED
- ② COMPONENTS SUPPLIED UNASSEMBLED
- ③ SEE PRINT 10026911 FOR COAX. PLATING SPEC.
- ④ ADD "LF" SUFFIX AT THE END OF PART NUMBER FOR LEAD FREE OPTION.
- ⑤ THIS PRODUCT MEETS EUROPEAN UNION DIRECTIVES AND OTHER COUNTRY REGULATION AS DESCRIBED IN GS-22-008.
- ⑥ THE HOUSING WILL WITHSTAND EXPOSURE TO 260°C PEAK TEMPERATURE FOR 15 SECONDS IN A WAVE SOLDER APPLICATION WITH A 1.5mm MINIMUM THICK CIRCUIT BOARD OR FOR 20 SECONDS IN A CONVECTION, INFRA-RED OR VAPOR PHASE REFLOW OVEN. SEE APPLICATION NOTES/PROCEDURES IF THEY ARE AVAILABLE.

PRESS FIT HOLES	
HOLE DIAMETER AFTER PLATING	0.65 - 0.80
DRILLED HOLE	0.81 - 0.86 (0.85 DRILL)
COPPER PLATING	0.025 MIN
TIN PLATING	0.005 - 0.015

mat'l code	surface ISO 1302	tolerance ISO 406 ISO 1101	projection	product family METRAL (tm)
ltr	ecr no	dr	date	title
A	V81487	GCR	9/03/98	RIGHT ANGLE COAX ASSEMBLY
B	V94348	HTB	11/16/99	
C	M06-0286	MNR	7/27/06	
D	M07-0101	MHT	2/09/07	
E	M09-0054	MHT	3/26/09	
angles		linear	σ±z	scale 1:1
engr		chr	appd	dwg no 63721 sheet 1 of 1 size A3
sheet index		revision sheet	E 1	type Product Customer Drawing



Copyright FCJ