


**SACB-8/ 8- 5,0PUR SCO**

Order No.: 1517042

<http://eshop.phoenixcontact.de/phoenix/treeViewClick.do?UID=1517042>

Sensor/actuator box, M12-SPEEDCON-socket, Number of slots: 8,  
Number of positions: 4, Slot assignment: Single, Status indication: No,  
Universal 180°, PUR/PVC, Cable length: 5 m, Shielding: No



Commercial data	
GTIN (EAN)	 4 017918 967710
sales group	D101
Pack	1 pcs.
Customs tariff	85366990
Catalog page information	Page 116 (PC-2009)

## Product notes

WEEE/RoHS-compliant since:  
05/08/2006



<http://www.download.phoenixcontact.com>  
Please note that the data given here has been taken from the online catalog. For comprehensive information and data, please refer to the user documentation. The General Terms and Conditions of Use apply to Internet downloads.

**Technical data****General data**

Rated voltage	120 V
Max. operating voltage $U_{max}$	135 V
Current carrying capacity per I/O signal	2 A
Current carrying capacity per slot	4 A

Total rated current	12 A
Number of positions	4
Number of slots	8
Degree of protection	IP65/IP67/IP69K
Inflammability class acc. to UL 94	V0
Ambient temperature (operation)	-30 °C ... 90 °C
Sensor/actuator connection system	M12-SPEEDCON-socket

**Master cable connection data**

Type of connection	Fixed connection
Length of cable	5 m
Ambient temperature (operation)	-40 °C ... 90 °C (for fixed installation) -5 °C ... 80 °C (for flexible installation)
Tightening torque slot sensor/actuator cable	0.4 Nm
Tightening torque screw plug	0.4 Nm

**Insulation material**

Housing material	PBT
Material of the moulding mass	PUR
Contact material	Cu alloy
Contact surface material	Gold-plated
Contact carrier material	PA
Material of threaded sleeve	Zinc die-cast
Material of threaded sleeve surface	Nickel-plated
Material, O-ring	NBR

**Pin assignment**

Slot/position = Wire color or connection	1 / 4 (A) = WH
--	----------------

	2 / 4 (A) = GN
	3 / 4 (A) = YE
	4 / 4 (A) = GY
	5 / 4 (A) = PK
	6 / 4 (A) = RD
	7 / 4 (A) = BK
	8 / 4 (A) = VT
	1-8 / 1 (+ 120 V) = BN
	1-8 / 3 (0 V) = BU
	1-8 / 5 (PE) = GN/YE

**Conductor data**

Cable type	Master cable suitable for flexible cable conduit
Cable abbreviation	LiYY11Y-HF
UL AWM Style	20549
Conductor cross section	0.34 mm <sup>2</sup> (signal line) 0.75 mm <sup>2</sup> (power line)
AWG signal line	22
Conductor structure signal line	19x 0.15 mm
AWG power supply	18
Conductor structure, voltage supply	42x 0.15 mm
Core diameter including insulation	1.3 mm ±0.1 mm (signal line) 1.8 mm ±0.1 mm (power line)
External cable diameter	8.50 mm
External sheath, color	Black RAL 9005
Nominal voltage, conductor	300 V
Test voltage, conductor	2000 V
Overall twist	Wires twisted in layers
Outer sheath, material	PUR
Material, inner sheath	PVC
Material conductor insulation	PVC
Conductor material	Bare Cu litz wires
Smallest bending radius, fixed installation	85 mm
Smallest bending radius, movable installation	85 mm
Number of bending cycles	1500000
Bending radius	85 mm

Traversing path	2 m
Traversing rate	2 m/s
Special properties	Silicone-free
Flame resistance	DIN EN 50265
Resistance to oil	As per VDE 0472 Part 803
Other resistance	Highly resistant to acids, alkaline solutions and solvents

#### Certificates / Approvals



Certification CUL, UL

#### Accessories

Item	Designation	Description
<b>Marking</b>		
0804963	SS-ZB 17,5 WH	Contact marker Zack strip, unprinted: 5-section, for snapping into equipment and components with special marker carrier, can be labeled with M-PEN, CMS system or label BMKT 17.5 x 8, lettering field: 17.5 x 8 mm, color: white

#### Protection and sealing elements

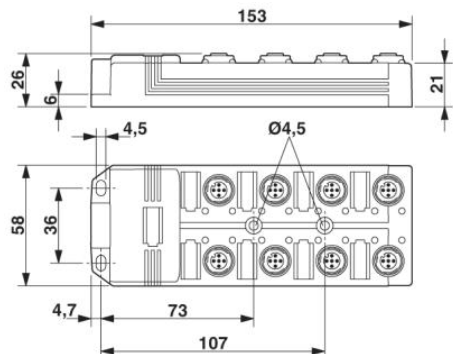
1553129	PROT-MS SCO	M12 screw plug with SPEEDCON quick locking for unoccupied M12 sockets of the sensor/actuator cables, boxes and flush-type connectors
---------	-------------	--

#### Tools

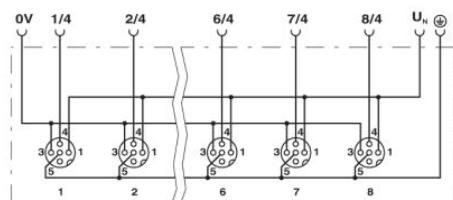
1208432	SAC BIT M12-D15	Nut for assembling sensor/actuator cables with M12 connector and for M12 connectors with QUICKON fast connection technology, for 4 mm hexagonal drive
1208445	SACC BIT M12-D20	Nut for assembling SACC M12 connectors for free assembly, excluding M12 connectors with QUICKON fast connection technology, for 4 mm hexagonal drive
1208429	TSD 04 SAC	Torque screwdriver, with preset torque of 0.4 Nm and 4 mm hexagonal drive for M12 connectors

## Diagrams/Drawings

### Dimensioned drawing

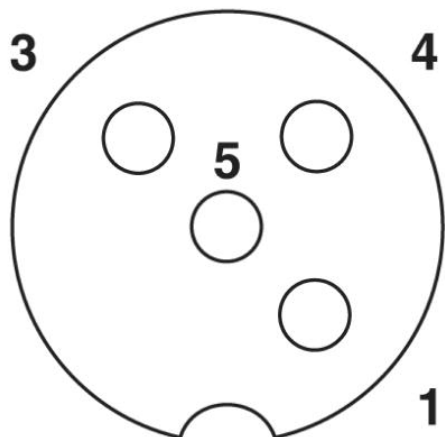


### Circuit diagram



### Schematic diagram

M12 slot, socket, 4-pos.



**Address**

PHOENIX CONTACT Inc., USA  
586 Fulling Mill Road  
Middletown, PA 17057, USA  
Phone (800) 888-7388  
Fax (717) 944-1625  
<http://www.phoenixcon.com>



© 2010 Phoenix Contact  
Technical modifications reserved;