

# STE

## Miniature Power Switch

Dust Proof



RoHS Compliant



UL

CSA

PSE

### Features

1. Miniature toggle switch with small footprint.
2. Reinforced insulation by adopting resin frame and lever.
3. High inrush current rated (90A).
4. **UL** recognized. **CSA** certified. **PSE** certified.

### Specifications

Rating		15A AC125V 8A AC250V
	<b>UL·CSA</b>	15A AC125V 8A AC250V
	Inrush Current (p.f.=0.6)	90A AC125V 48A AC250V
Initial contact resistance	30mΩ max.	(1A 2~4VDC)
Dielectric strength	2,000VAC 1 minute	
Insulation resistance	100MΩ min.	(500VDC)
Electrical life	50,000 cycles	
Operating temperature range	-15~+70°C	
Storage temperature range	-20~+70°C	

### Part Numbering

**STE 1 15 A 10 - Z**

Series code: STE  
Number of poles: 1  
Current: 15  
Switching function: A  
Terminal style: 10 - Z

<b>A</b>	ON - OFF	<b>10</b>	Screw Terminal (M3.5×0.6)
<b>D</b>	ON - ON	<b>12</b>	Solder Terminal

### Terminal Styles

Type	STE115A10-Z	STE115A12-Z
Dimensions	Screw Terminal  Brass	Solder Terminal  Brass
Plating	—	Silver plated

### Tightning Torque for Hex Nut

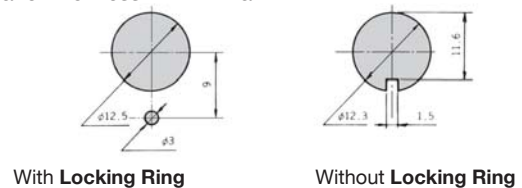
: 78.4 N·cm Max.

### Soldering

Manual soldering  
Device : Solder iron  
420°C Max. 3 sec. Max.

### Panel Cut-Out Dimensions

Panel thickness : 4 mm max.



### Electrical Appliance and Material Safety Law Listed Products

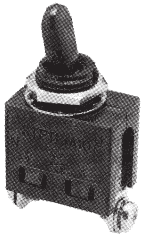
Circuit	Part No.	For appliances			For electronic appliances
		For general appliances		For motors	
		AC125V	AC250V	AC125V	
SPST	<b>STE115A10-Z</b>	15A	8A	—	—
SPDT	<b>STE115D10-Z</b>	15A	8A	—	—

# STE

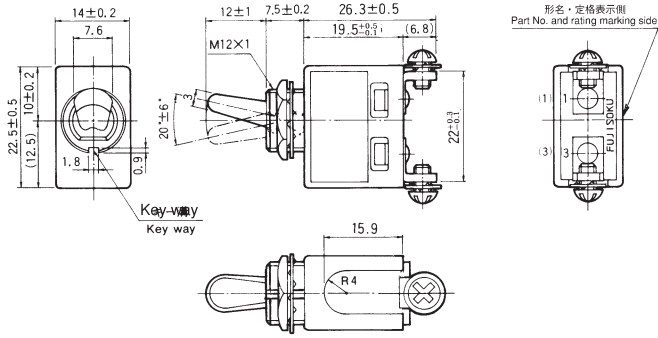
## STE115A10

### SPST

Terminal numbers are shown on the bottom of the switch.



(Screw Terminal)

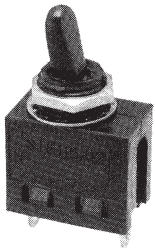


Switching function	Key way	Key way
Part No.		
★STE115A10-Z	ON	OFF
Connecting terminals	1-3	—

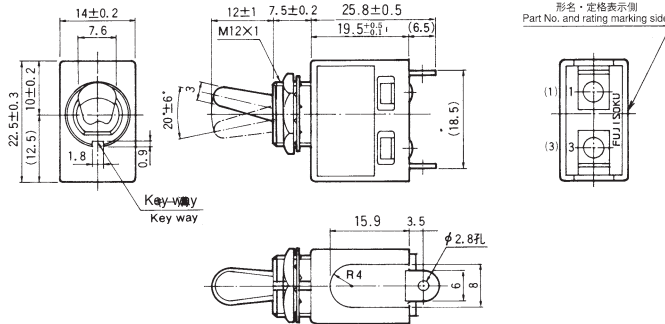
## STE115A12

### SPST

Terminal numbers are shown on the bottom of the switch.



(Solder Terminal)



Switching function	Key way	Key way
Part No.		
☆STE115A12-Z	ON	OFF
Connecting terminals	1-3	—

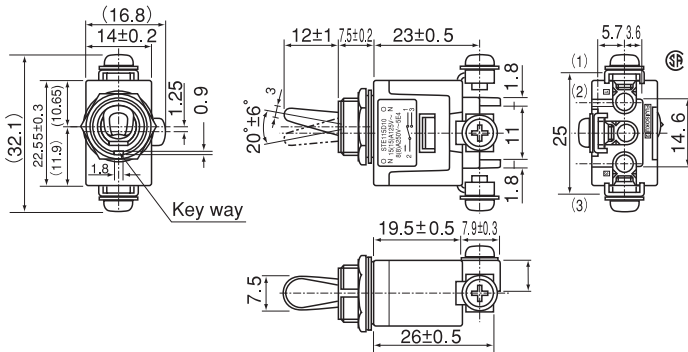
## STE115D10

### SPDT

Terminal numbers are shown on the bottom of the switch.



(Screw Terminal)



Switching function	Key way	Key way
Part No.		
★STE115D10-Z	ON	ON
Connecting terminals	2-3	2-1

### Standard Accessories Combination (Q'ty/switch)

Part No.	Accessories				
	①	②	③	④	⑤
STE115A10-Z	1	1	0	2	2
STE115A12-Z	1	1	0	0	0
STE115D10-Z	1	1	3	3	3

The number of accessories enclosed with the switch is shown in the above table.

## Accessories

(Supplied separately)

	Standard Accessories					Optional Accessories
	For mounting		For terminals			For mounting
Part Name	① Hex Nut	② Lockwasher	③ Spacer	④ Screw	⑤ Lockwasher	Locking Ring
Part No.	140008010235	140008030055	—	14000080127	140008030057	140008020065
Dimensions						
Finish	Nickel plated	Zinc plated	Nickel plated	Nickel plated	Zinc plated	Zinc plated