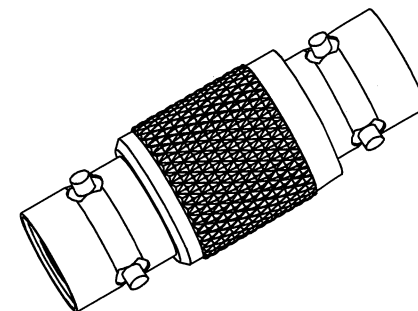


DATA CONTAINED IN THIS DOCUMENT IS PROPRIETARY TO TROMPETER ELECTRONICS INC. AND SHALL NOT BE DISCLOSED, COPIED OR USED FOR PROCUREMENT OR MANUFACTURE WITHOUT EXPRESS WRITTEN PERMISSION.

REVISIONS

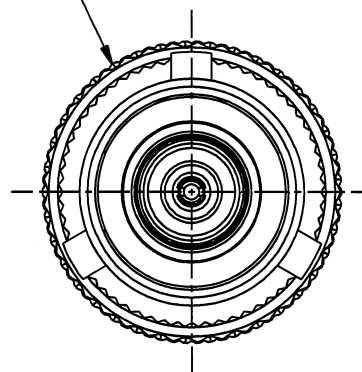
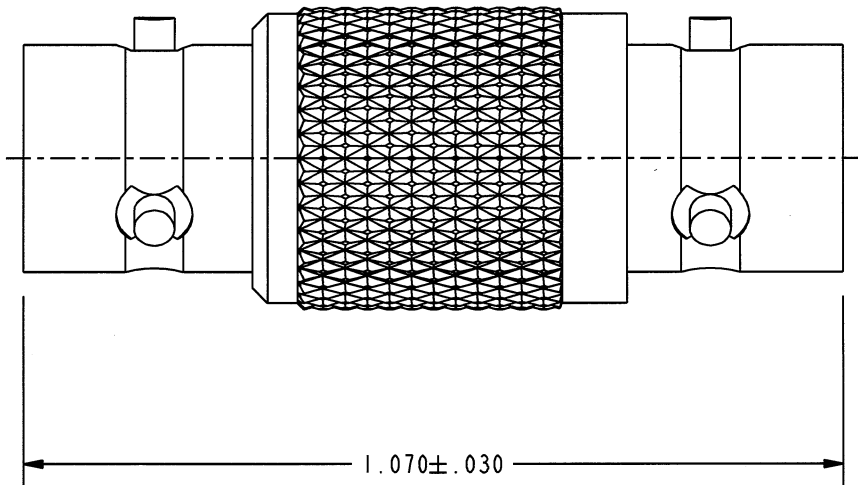
REV	DESCRIPTIONS	DATE	APPROVED
B	REVISED PER ECO 16772	10/31/08	[Signature]

RED INDICATES ORIGINAL



SCALE 2/1

Ø .400 MAXIMUM OVER KNURL



2. SUBMINIATURE CONCENTRIC TWINAX/TRIAX FEED THRU ADAPTER (TRS RECEPTACLE TYPE)

1. FINISH: TFS-A (NICKEL)

NOTES: UNLESS OTHERWISE SPECIFIED.

INTERPRET DRAWING PER MIL-STD-100. DIMENSIONS ARE IN INCHES AND INCLUDE FINISH THICKNESS UNLESS OTHERWISE SPECIFIED.		TOL: UNLESS SPECIFIED. .XX ± .02 .XXX ± .010 ANGLE ± 1°			
DRN M JOHNSON 10-14-08	MATERIAL:	TITLE: AD158			
CHK [Signature] 10-29-08	FINISH:	SIZE A	CAGE CODE 14949	DRAWING NO. 305-0475	REV. B
MANUF	APPROVED [Signature] 10/31/08	SCALE 4/1	DATE 6-25-82	SHEET IC	NEXT ASSY 305-0475

DO NOT SCALE DWG