

C. Webster 11-30-90
APPROVED/DATE

0
REV

SAFETY ORGANIZATION(S):

THIS FILTER HAS BEEN FORMALLY RECOGNIZED, CERTIFIED OR APPROVED BY THE LISTED AGENCY. THEREFORE, ALL TEST/REQUIREMENTS SPECIFIED IN THE LATEST REVISION OF THE FOLLOWING AGENCY STANDARDS HAVE BEEN MET:

UL RECOGNIZED
CSA CERTIFIED (PENDING)
VDE APPROVED (PENDING)

UL 1283
CSA 22.2, NO.0,0,4,8
VDE 565-3

OPERATING SPECIFICATIONS:

LINE VOLTAGE/CURRENT:
10 AMP., 120/250 VAC
8 AMP./40°C, 250 VAC
50-60Hz

LINE FREQUENCY:

MAX. LEAKAGE CURRENT, EACH
LINE TO GROUND
OPERATING AMBIENT TEMP. RANGE:

.50 mA @ 120V 60 Hz
.83 mA @ 250V 50 Hz
-10°C TO +40°C @ RATED CURRENT, I_r

IN AN AMBIENT, T_a, HIGHER THAN 40°C, THE MAXIMUM OPERATING CURRENT, I_o, IS AS FOLLOWS:

$$I_o = I_r \sqrt{\frac{85-T_a}{45}}$$

RELIABILITY SPECIFICATIONS:

STORAGE TEMPERATURE:
HUMIDITY:
CURRENT OVERLOAD TEST:

-40°C TO +85°C
21 DAYS @ 40°C 95% RH
6 TIMES RATED CURRENT FOR 8 SECONDS

TEST SPECIFICATIONS:

INDUCTANCE:
CAPACITANCE: (MEASURED @ 1 KHz, 0.25 VAC MAX., 25°C ±1°C)
LINE TO GROUND:
LINE TO LINE:
DISCHARGE RESISTOR
LINE/GROUND AND LINE/LINE
INSULATION RESISTANCE

.495 mH NOMINAL
0.0055µF ±20%
1.08µF ±20%
330KΩ
6000 MΩ (MIN) AT 100 VDC
20°C AND 50% RH

RECOMMENDED RECEIVING INSPECTION HIPOUT:

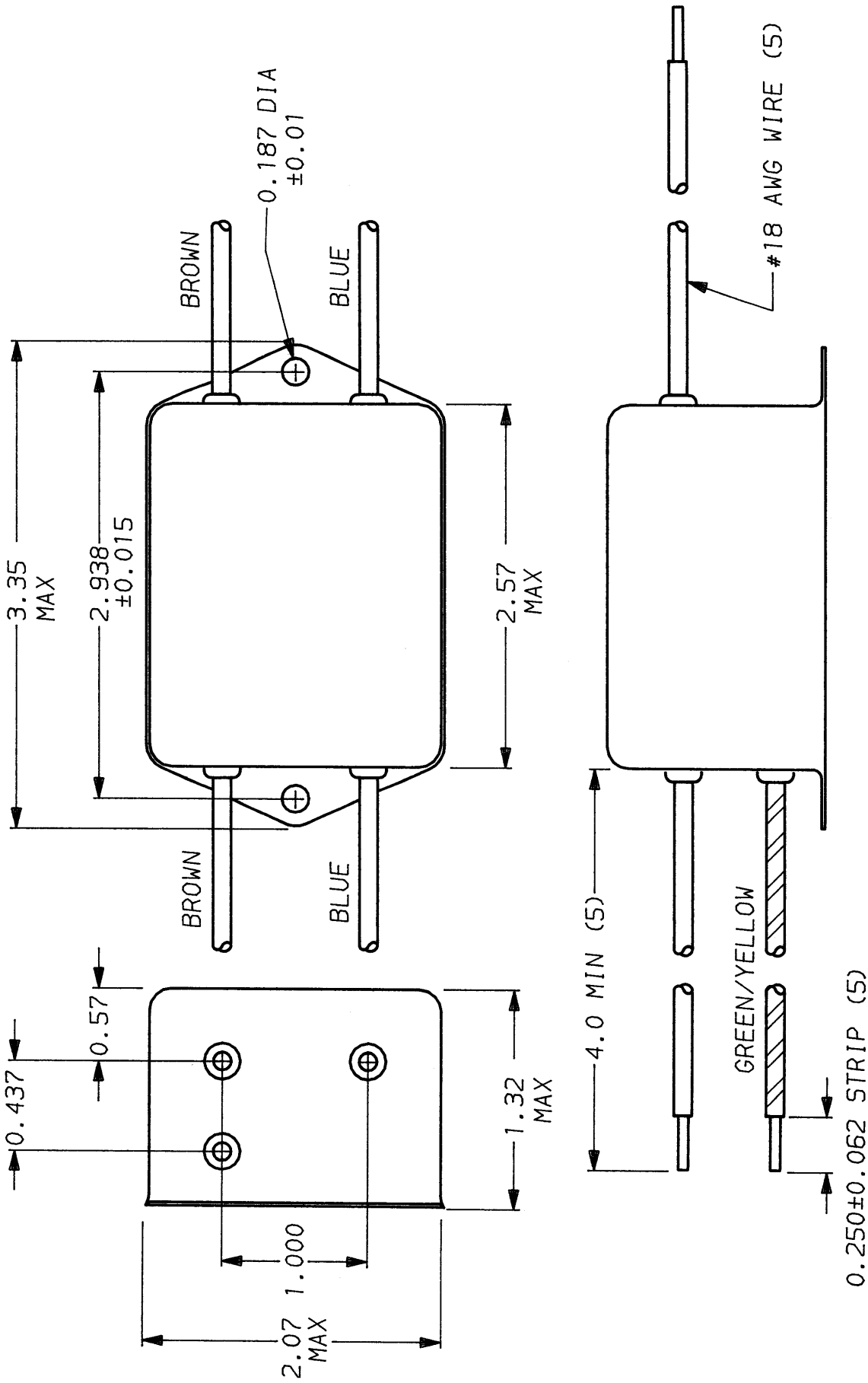
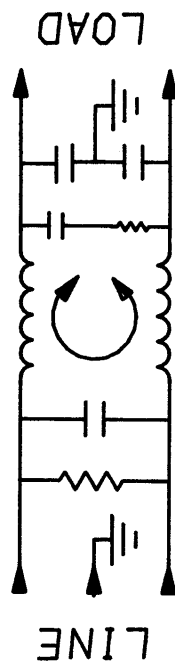
LINES TO GROUND: 2250 VDC FOR 1 MINUTE
LINE TO LINE: 1450 VDC FOR 1 MINUTE

FILTER APPROVAL:

THE BEST WAY TO SELECT AND QUALIFY A FILTER IS FOR YOUR ENGINEERING TO TEST THE UNIT IN YOUR EQUIPMENT.

FREQUENCY MHz	50Ω - 50Ω (MINIMUM) INSERTION LOSS									
	.15	.5	1	2	5	10	20	30		
COMMON dB	10	22	30	38	43	46	50	50		
DIFF. dB	20	43	55	62	70	72	60	60		

This document is proprietary to CORCOM INC. and is not to be reproduced nor used for manufacturing purposes except on CORCOM's order or prior written consent.



TOLERANCE EXCEPT AS NOTED
DECIMAL: .XXX .XX .X ANGLES
ENGLISH: ±.025 .X ANGLES
METRIC: ±

MATERIAL:
AS SUPPLIED

FINISH:
AS SUPPLIED

CORCOM
LIBERTYVILLE, IL 60048
POWER LINE FILTER

SCALE: NTS 111-5-90
DATE: 11-30-90
DRG. NO.: 10VDK3.00
REV.:
DRW. BY: CFW
ORIGINATOR: CFW